



BUCKEYE TRACTOR CO

Parts List

**Model 2261
DISK BEDDER**

Version B11 • Serial No. 4831500 • Effective 11-15-10

Serial No: _____ Date Received: ___ / ___ / ___

Purchased From: _____

Order / Invoice No: _____



BUCKEYE TRACTOR CO

**P.O.Box 97 • 11313 Slabtown Road • Columbus Grove, Ohio 45830 USA
call 419-659-2162 • fax 419-659-2082**

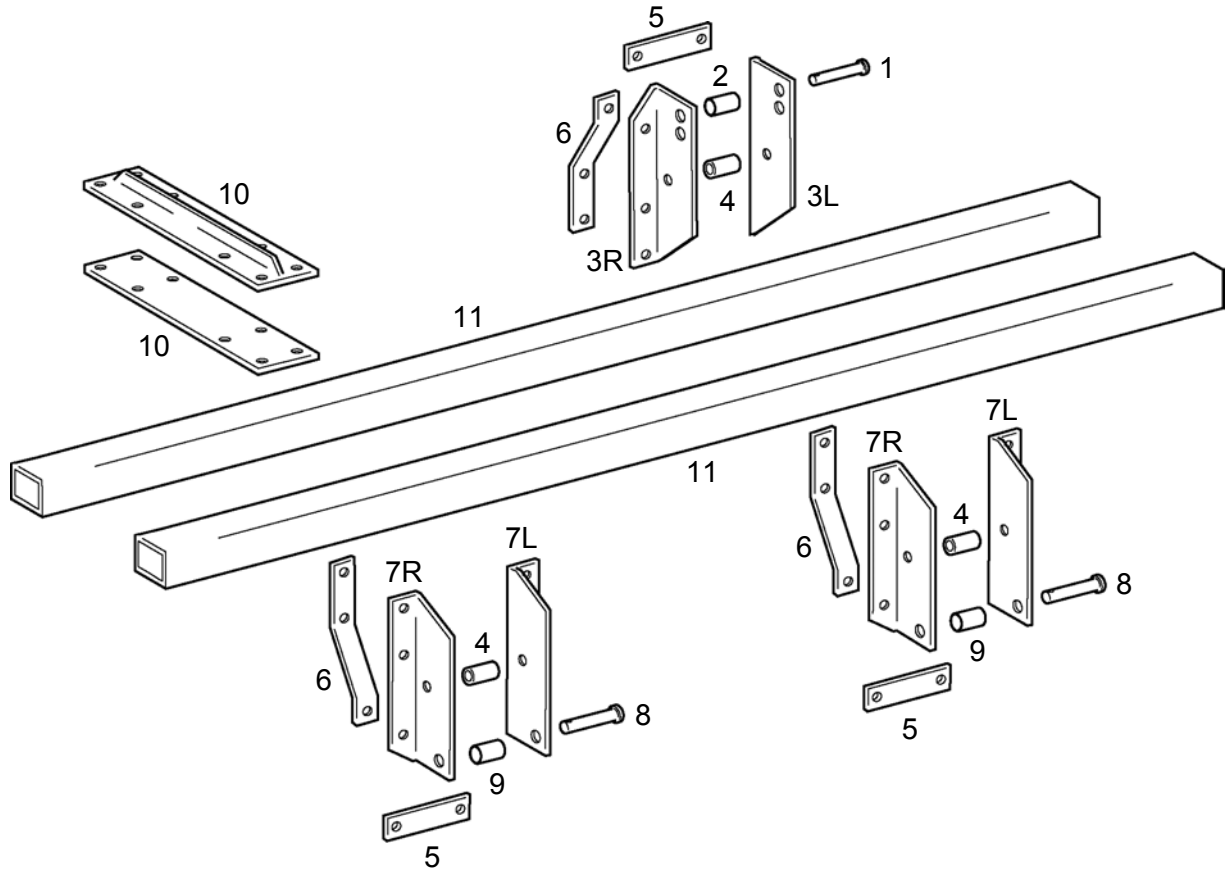
buckeyetractor@bright.net • www.buctraco.com

YOUR PURCHASE INCLUDES COMPLETE AFTER-SALE SERVICE

GALLERY



PARTS LIST

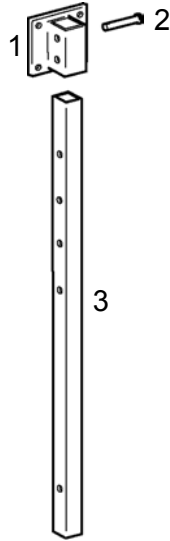


| Ref | Quan | Part No | Description | Price |
|-----|----------|--------------|---|-------|
| | 1 | 31262 | Toolbar Hitch - includes Ref 1 thru 10 | |
| 1 | 1 | 518-312 | Hitch Pin, 3/4 x 4 | _____ |
| | 1 | 511-354 | Linch Pin, 1/4 | _____ |
| 2 | 1 | 518-011 | Top Category-2 Bushing | _____ |
| 3L | 1 | 517-713 | Top Hitch Bracket, Left | _____ |
| 3R | 1 | 517-714 | Top Hitch Bracket, Right | _____ |
| | 4 | 511-026 | Hex Capscrew, 5/8-11 x 5 | _____ |
| | 4 | 511-142 | Hex Nut, 5/8-11 | _____ |
| 4 | 3 | 517-879 | Spacer, 1" OD x 5/8 ID x 2-1/2 | _____ |
| | 3 | 511-028 | Hex Capscrew, 5/8-11 x 4 | _____ |
| | 3 | 511-142 | Hex Nut, 5/8-11 | _____ |
| 5 | 3 | 518-418 | Spacer Strap | _____ |
| | 6 | 511-166 | Hex Capscrew, 5/8-11 x 2 | _____ |
| | 6 | 511-142 | Hex Nut, 5/8-11 | _____ |
| 6 | 6 | 517-440 | Hitch Bracket Brace | _____ |

PARTS LIST

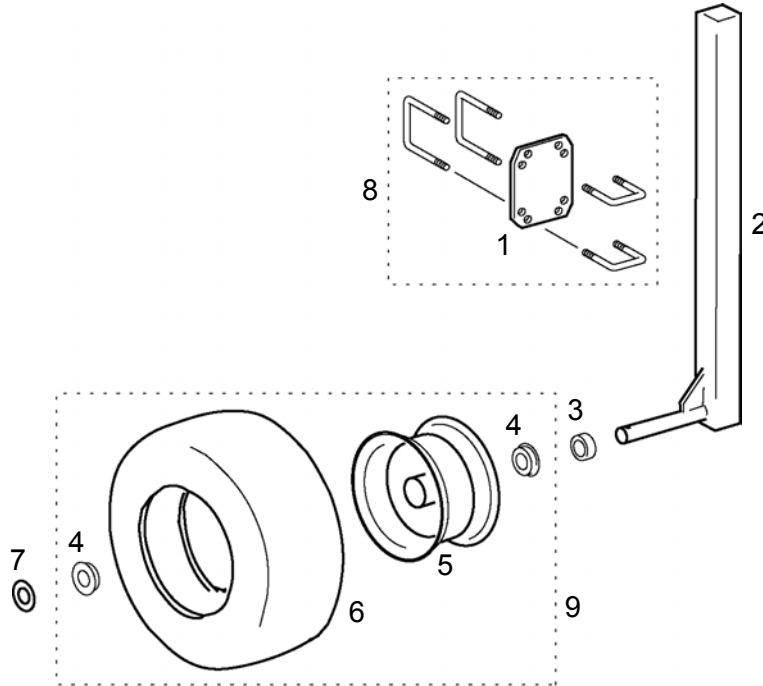
| Ref | Quan | Part No | Description | Price |
|-----|------|-----------|---|-------|
| 7L | 2 | 517-715 | Lower Hitch Bracket, Left | _____ |
| 7R | 2 | 517-716 | Lower Hitch Bracket, Right | _____ |
| | 8 | 511-026 | Hex Capscrew, 5/8-11 x 5 | _____ |
| | 8 | 511-142 | Hex Nut, 5/8-11 | _____ |
| 8 | 2 | 518-314 | Hitch Pin, 7/8 x 4 | _____ |
| | 2 | 511-354 | Linch Pin, 1/4 | _____ |
| 9 | 2 | 518-013 | Lower Category-2 Bushing | _____ |
| 10 | 4 | 517-545 | Toolbar Spacer Plate | _____ |
| | 16 | 511-026 | Hex Capscrew, 5/8-11 x 5 | _____ |
| | 16 | 511-142 | Hex Nut, 5/8-11 | _____ |
| | | | ADD (2) Toolbar to Toolbar Hitch | |
| 11 | 2 | | Toolbar, 3sq x ____ x _____ (choose size below) | |
| | | 30040-072 | 72 x 1/4 w | _____ |
| | | 30040-084 | 84 x 1/4 w | _____ |

PARTS LIST



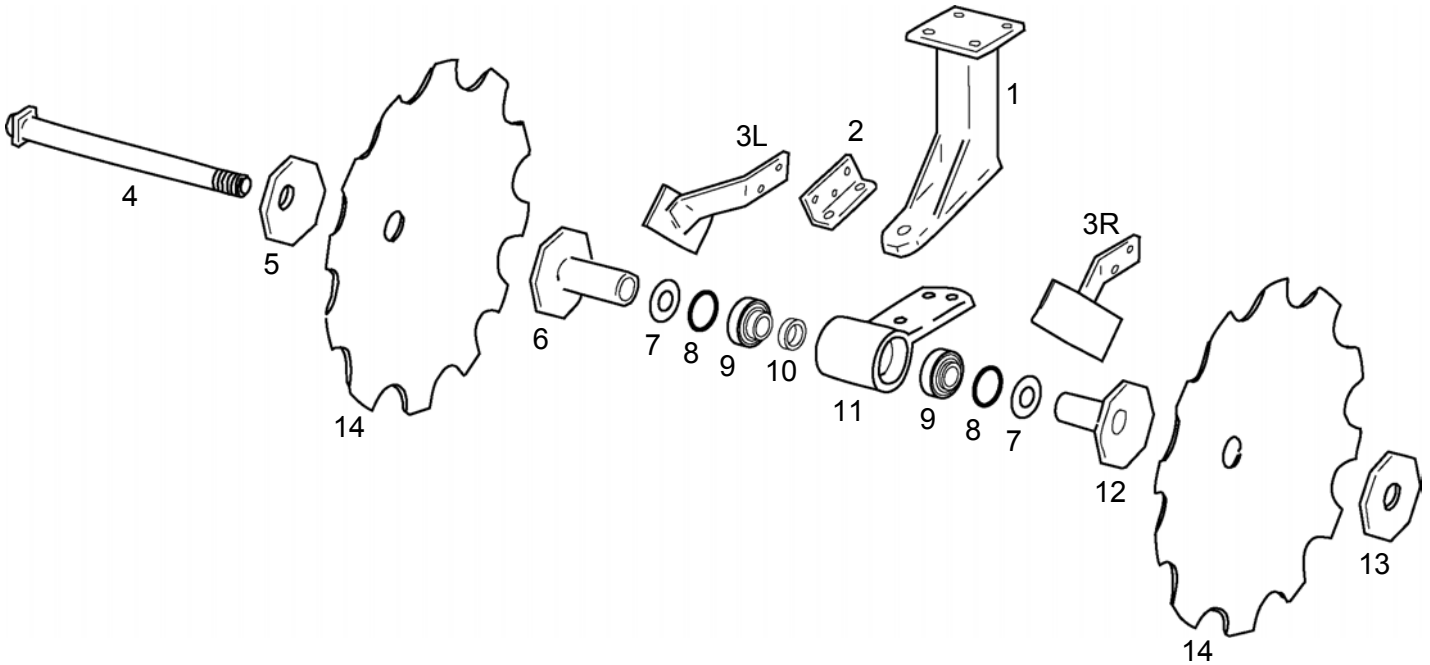
| Ref | Quan | Part No | Description | Price |
|-----|----------|--------------|--|-------|
| | 1 | 40434 | Parking Stand Asby, 36" for 3sq - includes Ref 1 thru 3 | _____ |
| 1 | 1 | 517-925 | Parking Stand Bracket | _____ |
| | 2 | 510-730 | U-Bolt, 1/2-13 x 3sq x 4 | _____ |
| | 4 | 511-051 | Hex Nut, 1/2-13 | _____ |
| 2 | 1 | 511-543 | Clevis Pin, 1/2 x 2-1/2 | _____ |
| | 1 | 511-628 | Hair Pin, 5/32 | _____ |
| 3 | 1 | 517-760 | Parking Stand, 36" | _____ |

PARTS LIST



| Ref | Quan | Part No | Description | Price |
|-----|------|---------|--|-------|
| | 1 | 17493 | Gauge Wheel Asby, 16x650-8, Pair & Clamps for 3sq - includes ref nos 1 thru 7 | _____ |
| 1 | 2 | 518-466 | D-Plate, 3 x 2 | _____ |
| | 4 | 510-730 | U-Bolt, 1/2-13 x 3sq x 4 | _____ |
| | 4 | 511-121 | U-Bolt, 1/2-13 x 2sq x 3 | _____ |
| | 16 | 511-051 | Hex Nut, 1/2-13 | _____ |
| 2 | 2 | 518-036 | Shank & Spindle | _____ |
| 3 | 2 | 516-185 | [Bushing] Shaft Collar, 1" | _____ |
| 4 | 4 | 517-809 | Bearing, 1"ID | _____ |
| 5 | 2 | 517-808 | Wheel, 8 x 5-3/8 | _____ |
| | 2 | 515-581 | Valve Stem - included | _____ |
| | 2 | 514-286 | Valve - included | _____ |
| | 2 | 514-287 | Cap - included | _____ |
| 6 | 2 | 516-830 | Tire, 16x650-8 Rib | _____ |
| 7 | 2 | 511-176 | [Spindle Washer] Flat Washer, 1" SAE | _____ |
| | 2 | 510-989 | Cotter Pin, 1/4 x 1-1/2 | _____ |
| | | | Parts assemblies w/ related fasteners | |
| 8 | 2 | 30205E | D5-Clamp Asby, 2sq x 2sq | _____ |
| 9 | 2 | 517-816 | Wheel Asby, 16x650-8 | _____ |

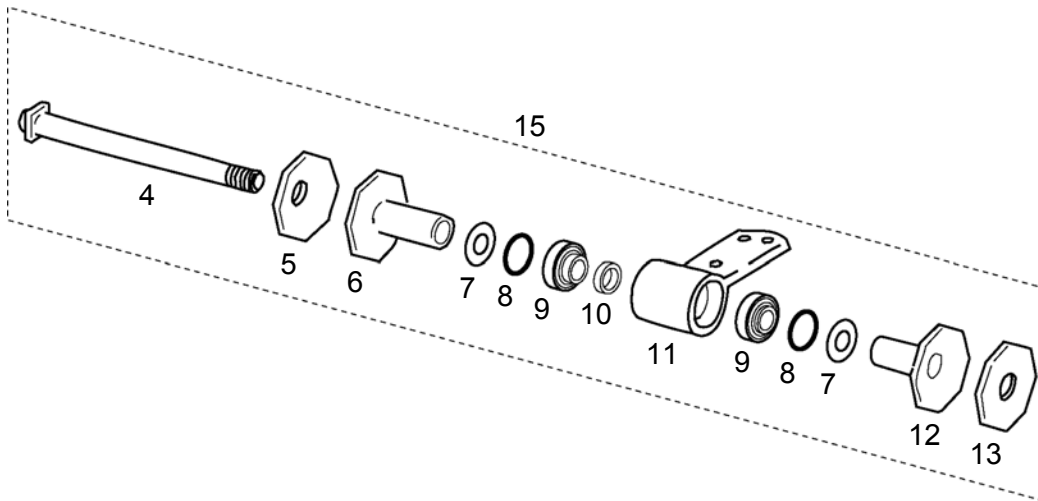
PARTS LIST



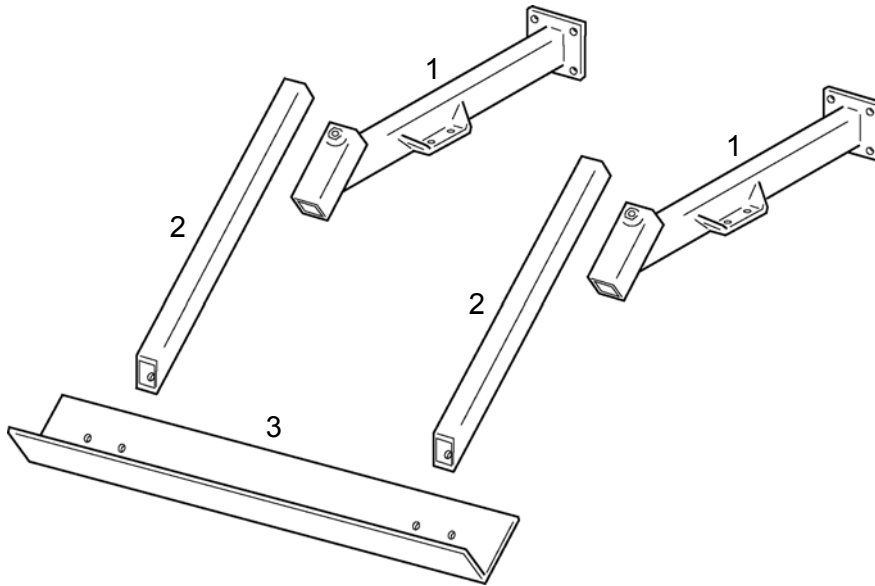
| Ref | Quan | Part No | Description | Price |
|-----|----------|--------------|--|-------|
| | 1 | 18690 | Disk Gangs & Shanks, 14" Spacing, Pair for 3sq - includes Ref 1 thru 13 | _____ |
| 1 | 2 | 518-686 | Disk Gang Shank, 75-Deg | _____ |
| | 4 | 511-122 | U-Bolt, 5/8-11 x 3sq x 4-1/2 | _____ |
| | 8 | 511-142 | Hex Nut, 5/8-11 | _____ |
| 2 | 2 | 514-487 | Scraper Bracket | _____ |
| 3L | 1 | 514-563 | Scraper, Left | _____ |
| 3R | 1 | 514-564 | Scraper, Right | _____ |
| | 4 | 511-069 | Hex Capscrew, 1/2-13 x 1-1/2 | _____ |
| | 4 | 511-051 | Hex Nut, 1/2-13 | _____ |
| 4 | 2 | 514-490 | Arbor Shaft, 1-1/2rd x 18-1/2 | _____ |
| | 2 | 510-738 | Hex Slotted Nut, 1-1/2-12 | _____ |
| | 2 | 511-150 | Machine Bushing, 1-1/2-10ga | _____ |
| | 2 | 511-138 | Cotter Pin, 1/4 x 2 | _____ |
| 5 | 2 | 514-491 | End Washer, Concave | _____ |
| 6 | 2 | 518-583 | Half Spool, Flat | _____ |
| 7 | 4 | 518-101 | [Bearing Shield] Flat Washer, 1-3/8 SAE for 1-1/2 shaft | _____ |
| 8 | 4 | 518-102 | [Rubber Spacer] O-Ring | _____ |
| 9 | 4 | 518-089 | Bearing, SER208-24 (discard snap ring and set screws) | _____ |
| 10 | 2 | 518-088 | Bearing Spacer, 9/16" | _____ |

PARTS LIST

| Ref | Quan | Part No | Description | Price |
|--|------|---------|---|-------|
| 11 | 2 | 514-884 | Bearing Housing | _____ |
| | 4 | 511-031 | Hex Capscrew, 5/8-11 x 2-3/4 | _____ |
| | 4 | 511-142 | Hex Nut, 5/8-11 | _____ |
| 12 | 2 | 518-581 | Half Spool, Concave | _____ |
| 13 | 2 | 514-493 | End Washer, Flat | _____ |
| ADD (4) Disk Blades to complete Disk Gang & Shank Set | | | | |
| 14 | 4 | | Disk Blade, _____ x _____ (choose size below, mix or match) | |
| | | 517-237 | 16" Notched x 1-1/2rd | _____ |
| | | 517-741 | 18" Notched x 1-1/2rd | _____ |
| | | 514-489 | 20" Plain x 1-1/2rd | _____ |
| | | 514-677 | 20" Notched x 1-1/2rd | _____ |
| | | 515-046 | 22" Notched x 1-1/2rd - standard on 2261 | _____ |
| | | 518-044 | 24" Notched x 1-1/2rd | _____ |
| | | 518-549 | 26" Notched x 1-1/2rd | _____ |
| Parts assembly w/ related fasteners | | | | |
| 15 | 1 | 518-082 | Gang Hub & Spool Asby | _____ |



PARTS LIST



| Ref | Quan | Part No | Description | Price |
|-----|------|--------------|--|-------|
| | | 18530 | OPTION | |
| | | | Leveling Bar Asby for 3sq - includes Ref 1 thru 3 | |
| 1 | 2 | 518-675 | Leveling Bar / Shaper Pan Bracket | _____ |
| | 8 | 511-025 | Hex Capscrew, 5/8-11 x 5-1/2 (use with Model 2161, 2361) | _____ |
| | 4 | 511-122 | U-Bolt, 5/8-11 x 3sq x 4-1/2 (use with Model 2261) | _____ |
| | 8 | 511-142 | Hex Nut, 5/8-11 (use with Model 2261) | _____ |
| 2 | 2 | 514-516 | Shank | _____ |
| | 4 | 511-070 | Hex Capscrew, 1/2-13 x 1-1/4 | _____ |
| | 4 | 511-217 | Hex Jam Nut, 1/2-13 | _____ |
| 3 | 1 | 518-679 | Leveling Bar | _____ |
| | 2 | 510-996 | Capscrew, 5/8-11 x 1-1/4 | _____ |
| | 2 | 511-142 | Hex Nut, 5/8-11 | _____ |