



**BUCKEYE TRACTOR CO**

## **Parts List**

Model 2361  
**DISK BEDDER**

Version C11 • Serial No. 4831500 • Effective 11-15-10

Serial No: \_\_\_\_\_ Date Received: \_\_\_ / \_\_\_ / \_\_\_

Purchased From: \_\_\_\_\_

Order / Invoice No: \_\_\_\_\_



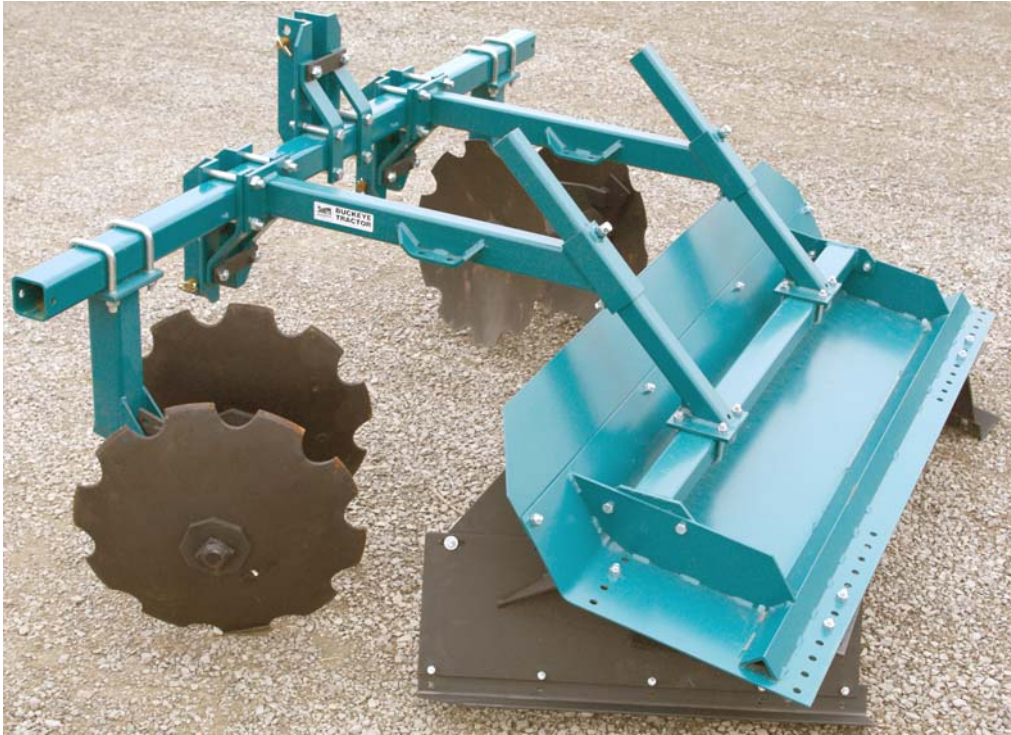
**BUCKEYE TRACTOR CO**

P.O.Box 97 • 11313 Slabtown Road • Columbus Grove, Ohio 45830 USA  
call 419-659-2162 • fax 419-659-2082

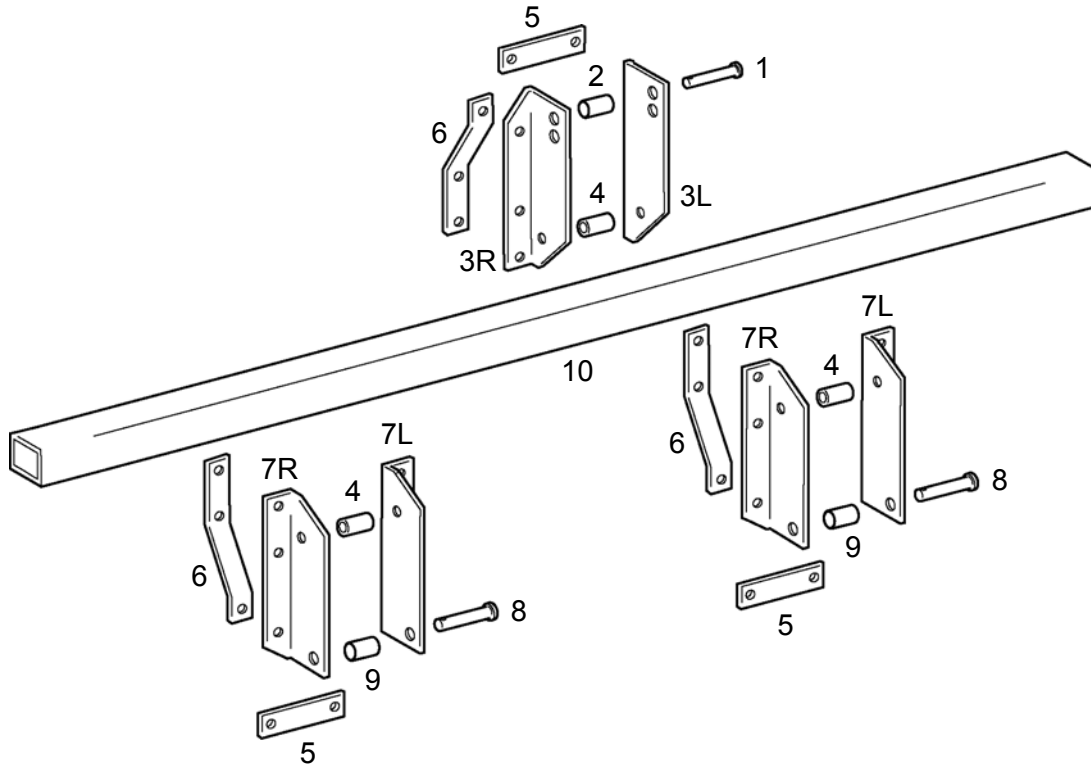
buckeyetractor@bright.net • www.buctraco.com

*YOUR PURCHASE INCLUDES COMPLETE AFTER-SALE SERVICE*

## GALLERY



# PARTS LIST

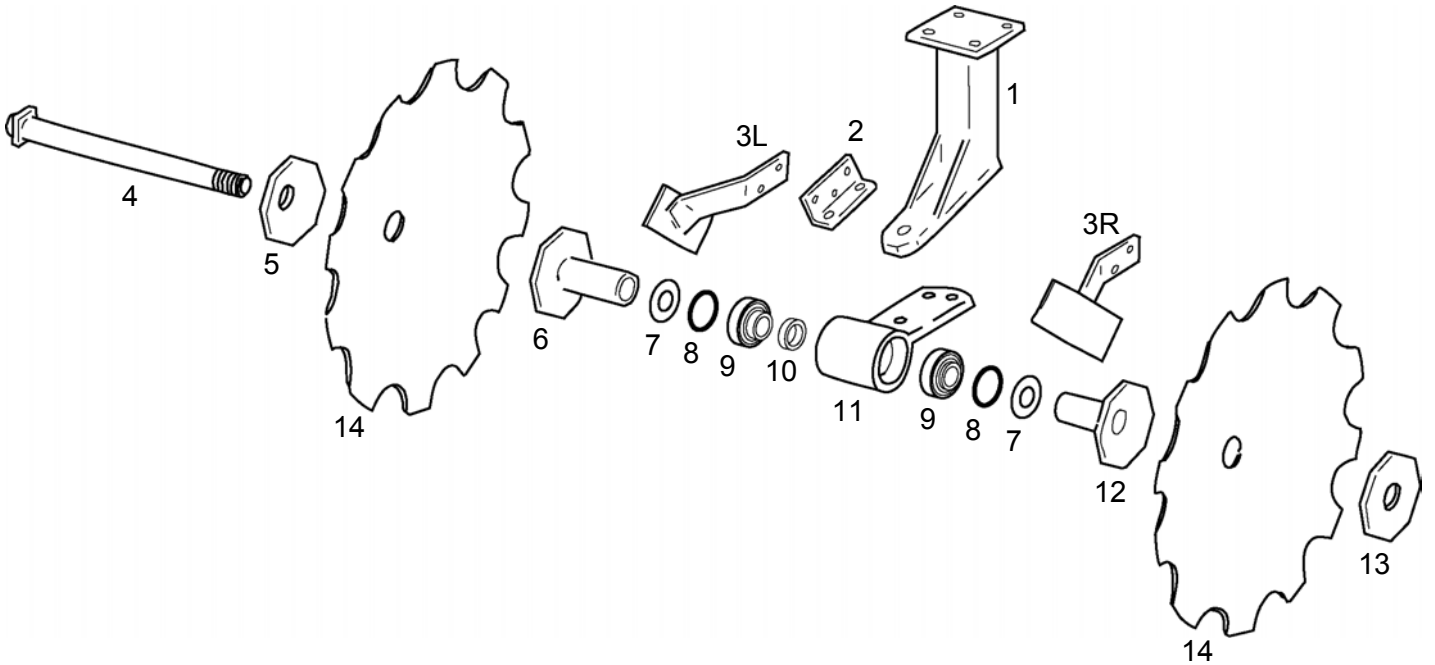


Ref	Quan	Part No	Description	Price
	<b>1</b>	<b>31211</b>	<b>Toolbar Hitch - includes Ref 1 thru 9</b>	_____
1	1	518-312	Hitch Pin, 3/4 x 4	_____
	1	511-354	Linch Pin, 1/4	_____
2	1	518-011	Top Category-2 Bushing	_____
3L	1	517-713	Top Hitch Bracket, Left	_____
3R	1	517-714	Top Hitch Bracket, Right	_____
	4	511-026	Hex Capscrew, 5/8-11 x 5	_____
	4	511-142	Hex Nut, 5/8-11	_____
4	3	517-879	Spacer, 1" OD x 5/8 ID x 2-1/2	_____
	3	511-028	Hex Capscrew, 5/8-11 x 4	_____
	3	511-142	Hex Nut, 5/8-11	_____
5	3	518-418	Spacer Strap	_____
	6	511-166	Hex Capscrew, 5/8-11 x 2	_____
	6	511-142	Hex Nut, 5/8-11	_____
6	6	517-440	Hitch Bracket Brace	_____

# PARTS LIST

Ref	Quan	Part No	Description	Price
7L	2	517-715	Lower Hitch Bracket, Left	_____
7R	2	517-716	Lower Hitch Bracket, Right	_____
	8	511-026	Hex Capscrew, 5/8-11 x 5	_____
	8	511-142	Hex Nut, 5/8-11	_____
8	2	518-314	Hitch Pin, 7/8 x 4	_____
	2	511-354	Linch Pin, 1/4	_____
9	2	518-013	Lower Category-2 Bushing	_____
			<b>ADD (1) Toolbar to Toolbar Hitch</b>	
10	1	30040-084	Toolbar, 3sq x 84 x 1/4w - standard on 2361	_____

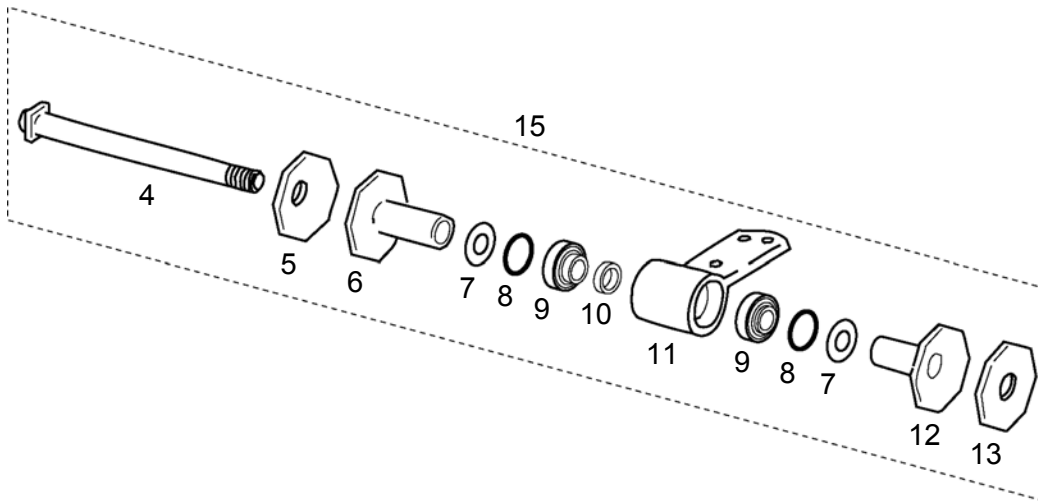
# PARTS LIST



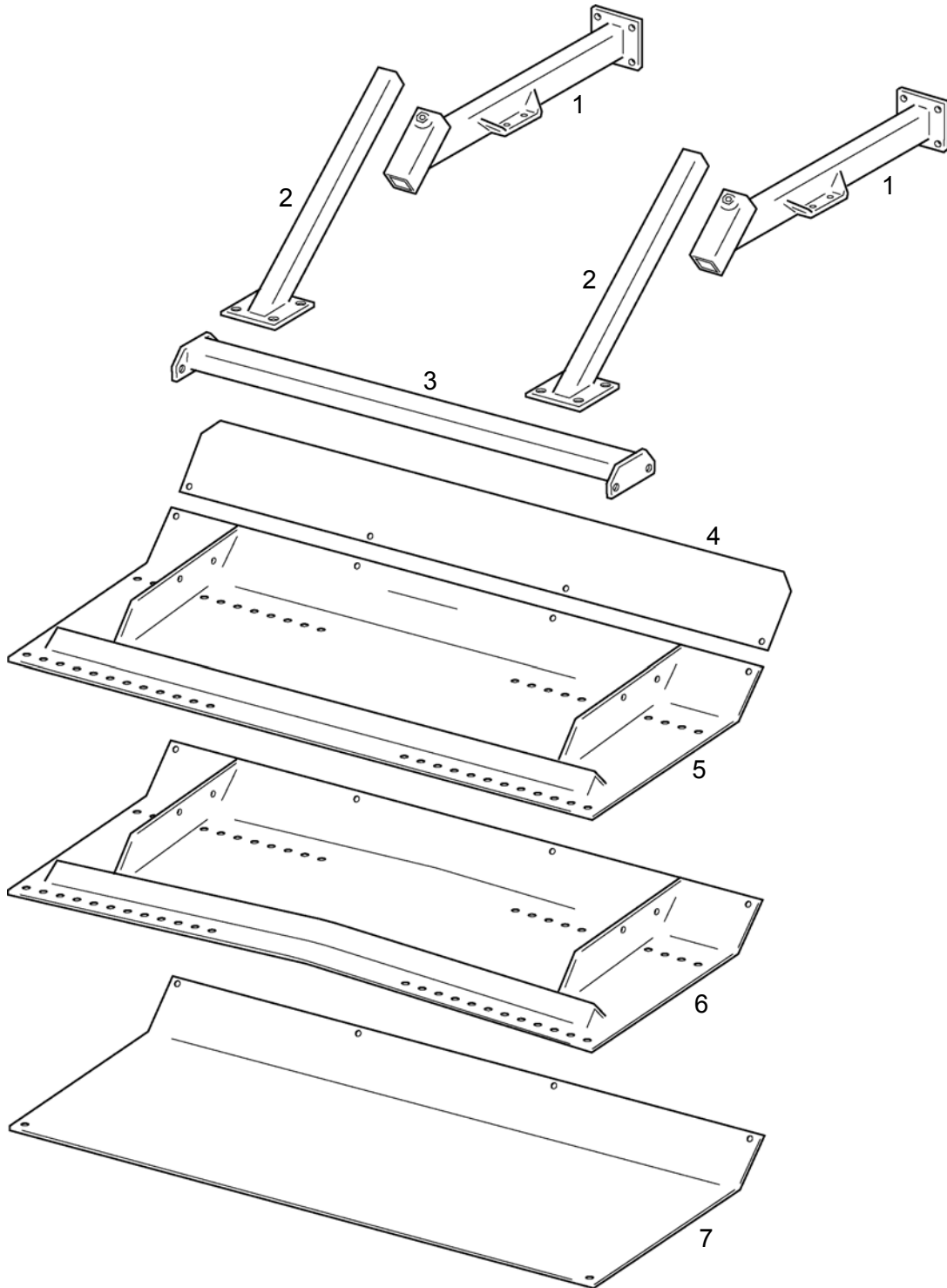
Ref	Quan	Part No	Description	Price
	<b>1</b>	<b>18690</b>	<b>Disk Gangs &amp; Shanks, 14" Spacing, Pair for 3sq</b> <b>- includes Ref 1 thru 13</b>	_____
1	2	518-686	Disk Gang Shank, 75-Deg	_____
	4	511-122	U-Bolt, 5/8-11 x 3sq x 4-1/2	_____
	8	511-142	Hex Nut, 5/8-11	_____
2	2	514-487	Scraper Bracket	_____
3L	1	514-563	Scraper, Left	_____
3R	1	514-564	Scraper, Right	_____
	4	511-069	Hex Capscrew, 1/2-13 x 1-1/2	_____
	4	511-051	Hex Nut, 1/2-13	_____
4	2	514-490	Arbor Shaft, 1-1/2rd x 18-1/2	_____
	2	510-738	Hex Slotted Nut, 1-1/2-12	_____
	2	511-150	Machine Bushing, 1-1/2-10ga	_____
	2	511-138	Cotter Pin, 1/4 x 2	_____
5	2	514-491	End Washer, Concave	_____
6	2	518-583	Half Spool, Flat	_____
7	4	518-101	[Bearing Shield] Flat Washer, 1-3/8 SAE for 1-1/2 shaft	_____
8	4	518-102	[Rubber Spacer] O-Ring	_____
9	4	518-089	Bearing, SER208-24 (discard snap ring and set screws)	_____
10	2	518-088	Bearing Spacer, 9/16"	_____

# PARTS LIST

Ref	Quan	Part No	Description	Price
11	2	514-884	Bearing Housing	_____
	4	511-031	Hex Capscrew, 5/8-11 x 2-3/4	_____
	4	511-142	Hex Nut, 5/8-11	_____
12	2	518-581	Half Spool, Concave	_____
13	2	514-493	End Washer, Flat	_____
<b>ADD (4) Disk Blades to complete Disk Gang &amp; Shank Set</b>				
14	4		Disk Blade, _____ x _____ (choose size below, mix or match)	
		517-237	16" Notched x 1-1/2rd	_____
		517-741	18" Notched x 1-1/2rd	_____
		514-489	20" Plain x 1-1/2rd	_____
		514-677	20" Notched x 1-1/2rd	_____
		515-046	22" Notched x 1-1/2rd - standard on 2161	_____
		518-044	24" Notched x 1-1/2rd	_____
		518-549	26" Notched x 1-1/2rd	_____
<b>Parts assembly w/ related fasteners</b>				
15	1	518-082	Gang Hub & Spool Asby	_____



# PARTS LIST

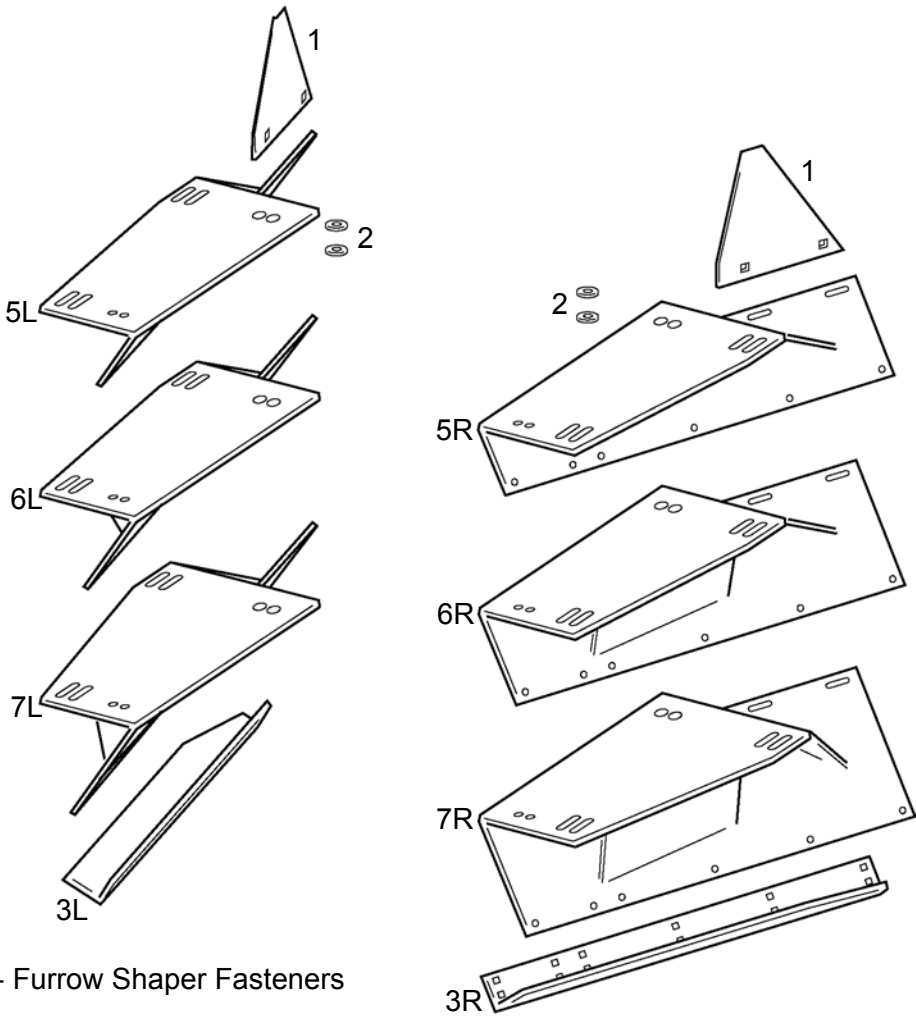


# PARTS LIST

Ref	Quan	Part No	Description	Price
<b>OPTION</b>				
	<b>1</b>	<b>18610</b>	<b>Shaper Pan Asby for 3sq - includes Ref 1 thru 5</b>	_____
1	2	518-675	Leveling Bar / Shaper Pan Bracket	_____
	8	511-025	Hex Capscrew, 5/8-11 x 5-1/2 (use with Model 2161, 2361)	_____
	4	511-122	U-Bolt, 5/8-11 x 3sq x 4-1/2 (use with Model 2261)	_____
	8	511-142	Hex Nut, 5/8-11 (use with Model 2261)	_____
2	2	516-783	Pan Shank	_____
	4	511-070	Hex Capscrew, 1/2-13 x 1-1/4	_____
	4	511-217	Hex Jam Nut, 1/2-13	_____
3	1	517-998	Shaper Pan Toolbar	_____
	4	510-741	U-Bolt, 1/2-13 x 3sq x 3	_____
	8	511-051	Hex Nut, 1/2-13	_____
4	1	517-547	Front Shield, 72"	_____
	4	511-071	Hex Capscrew, 1/2-13 x 1	_____
	4	511-051	Hex Nut, 1/2-13	_____
5	1	517-860	Shaper Pan, 72"	_____
	4	511-070	Hex Capscrew, 1/2-13 x 1-1/4	_____
	4	511-051	Hex Nut, 1/2-13	_____
<b>OPTION with 18610 Shaper Pan Asby</b>				
	<b>1</b>	<b>17316A</b>	<b>Crowned Shaper Pan Pkg - includes Ref 6, replaces Ref 5</b>	_____
6	1	517-917	Crowned Shaper Pan, 72"	_____
<b>OPTION with 18610 Shaper Pan Asby</b>				
<b>Shaper Pan Poly Liner</b>				
7	1	516-401	Shaper Pan Poly Liner, 72"	_____
7	1	524-872	Crowned Shaper Pan Poly Liner, 72"	_____



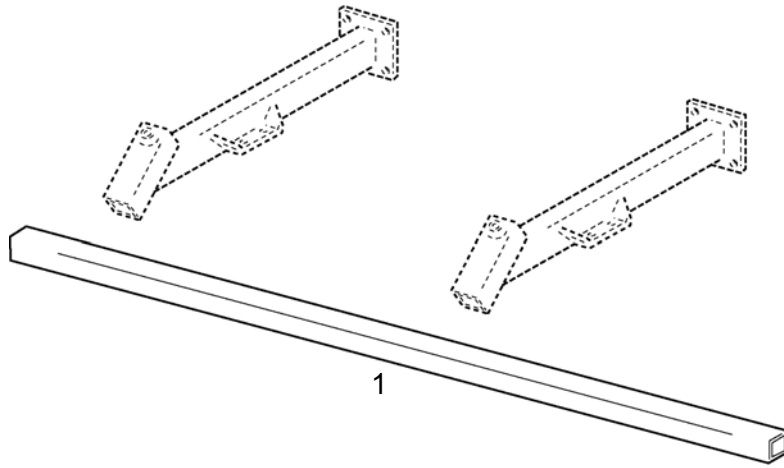
# PARTS LIST



# PARTS LIST

Ref	Quan	Part No	Description	Price
	<b>1</b>	<b>519-321</b>	<b>Bed Height Completing Pkg - includes Ref 1 thru 4</b>	_____
1	2	518-617	Adjustable Side Shield	_____
	4	510-750	Carriage Bolt, 3/8-16 x 1	_____
	4	511-194	Flat Washer, 3/8 USS	_____
	4	511-008	Hex Nut, 3/8-16	_____
2	4	512-057	Heavy Washer, 1/2 x 1-1/2od	_____
3L	1	518-608	Furrow Shoe, Left	_____
3R	1	518-609	Furrow Shoe, Right	_____
	12	510-750	Carriage Bolt, 3/8-16 x 1	_____
	12	511-008	Hex Nut, 3/8-16	_____
4			[Furrow Shaper Fasteners]	_____
	2	511-069	Hex Capscrew, 1/2-13 x 1-1/2	_____
	6	511-070	Hex Capscrew, 1/2-13 x 1-1/4	_____
	4	511-184	Flat Washer, 1/2 SAE	_____
	8	511-051	Hex Nut, 1/2-13	_____
<b>ADD (1) Bed Height Package to complete Shaper Pan Asby</b>				
	<b>1</b>	<b>519-305</b>	<b>Bed Height Pkg, 5" Base for 5" or 6" adjustable bed height - includes ref nos 5L, 5R</b>	_____
5L	1	518-655	Furrow Shaper, 5" Base Left	_____
5R	1	518-665	Furrow Shaper, 5" Base Right	_____
	<b>1</b>	<b>519-307</b>	<b>Bed Height Pkg, 7" base for 7" or 8" adjustable bed height - includes ref nos 6L, 6R</b>	_____
6L	1	518-657	Furrow Shaper, 7" Base Left	_____
6R	1	518-667	Furrow Shaper, 7" Base Right	_____
	<b>1</b>	<b>519-309</b>	<b>Bed Height Pkg, 9" base for 9" or 10" adjustable bed height - includes ref nos 7L, 7R</b>	_____
7L	1	518-659	Furrow Shaper, 9" Base Left	_____
7R	1	518-669	Furrow Shaper, 9" Base Right	_____

# PARTS LIST



Ref	Quan	Part No	Description	Price
			<b>OPTION</b>	
	<b>1</b>	<b>18620</b>	<b>Sub-Toolbar Pkg - includes Ref 1</b>	_____
1	1	20030-084	Toolbar, 2sq x 84 x 3/16w	_____
	4	511-121	U-Bolt, 1/2-13 x 2sq x 3	_____
	8	511-051	Hex Nut, 1/2-13	_____