



BUCKEYE TRACTOR CO

Parts List

**Model 3201
DISK BEDDER**

Version A14 • Serial No. 5170100 • Effective 9-1-13

Serial No: _____ Date Received: ___ / ___ / ___

Purchased From: _____

Order / Invoice No: _____



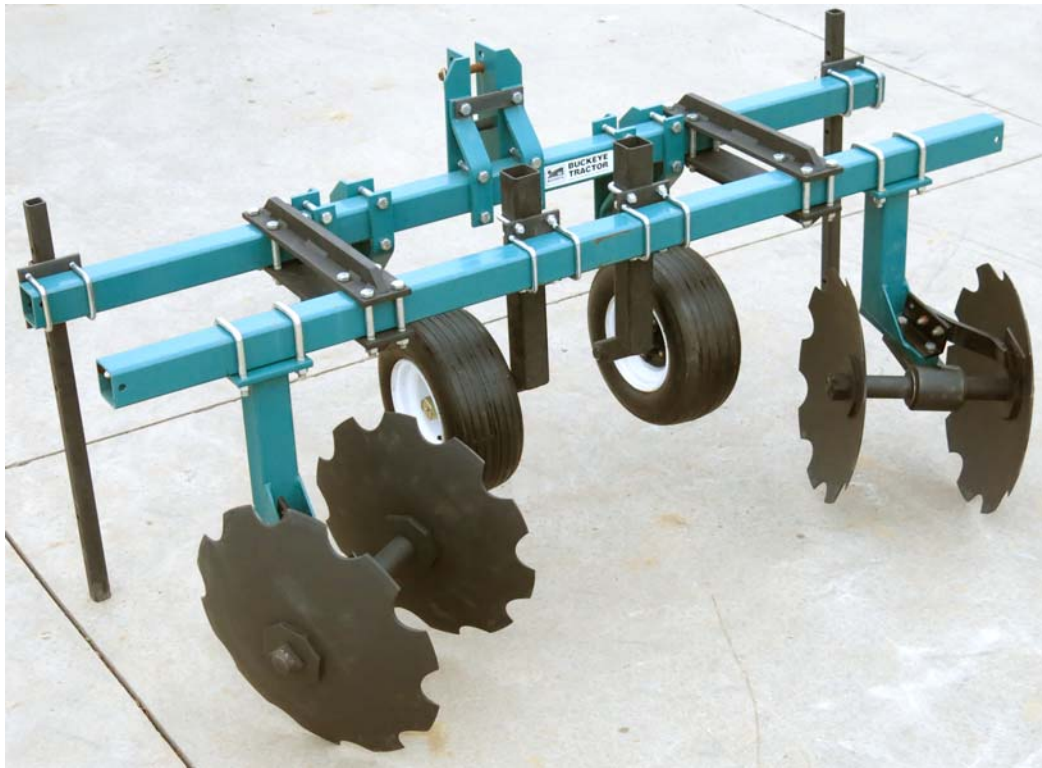
BUCKEYE TRACTOR CO

**P.O.Box 97 • 11313 Slabtown Road • Columbus Grove, Ohio 45830 USA
call 419-659-2162 • fax 419-659-2082**

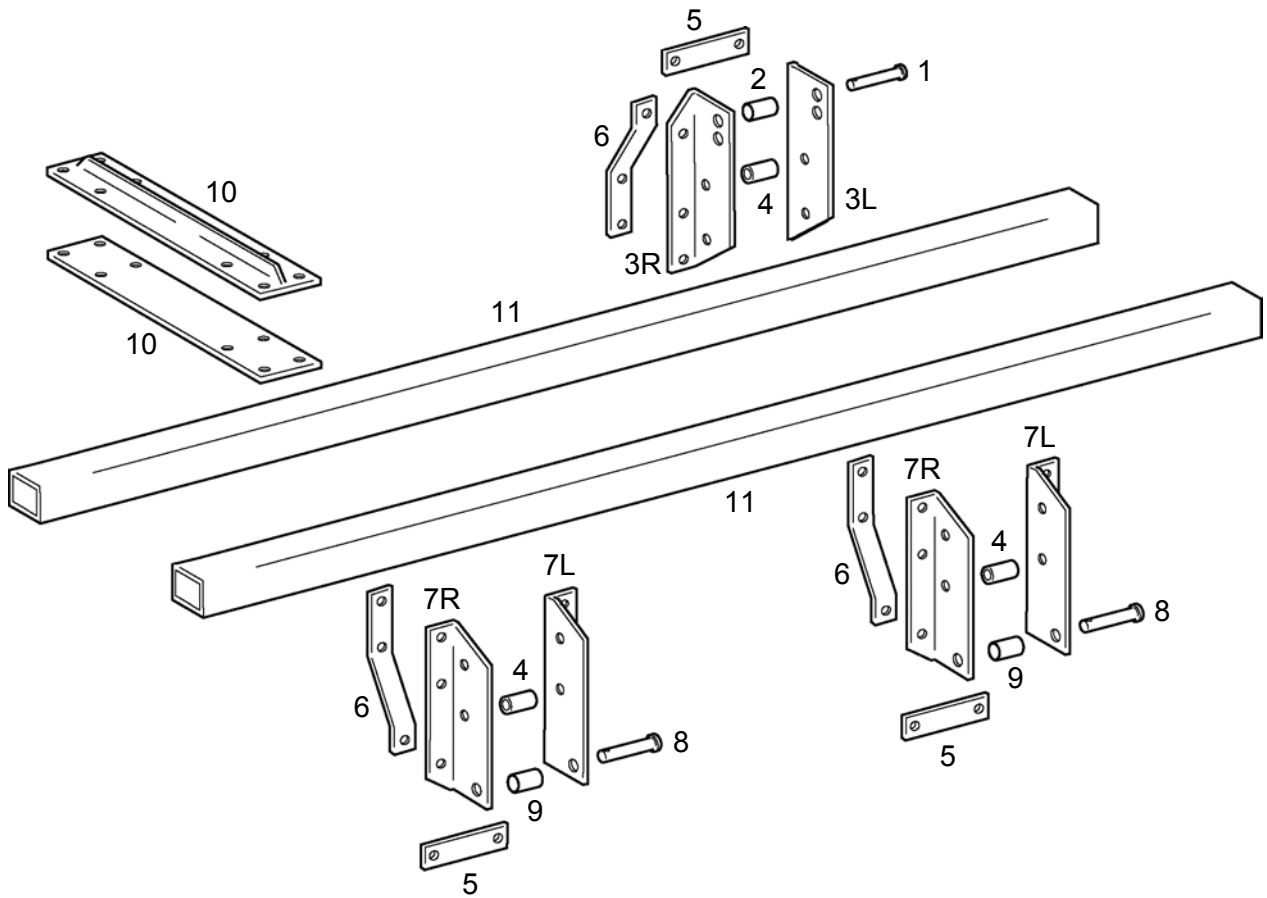
buckeyetractor@bright.net • www.buctraco.com

YOUR PURCHASE INCLUDES COMPLETE AFTER-SALE SERVICE

GALLERY



PARTS LIST

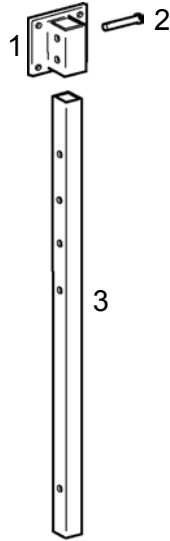


Ref	Quan	Part No	Description	Price
	1	31262	Toolbar Hitch - includes Ref 1 thru 10	
1	1	518-312	Hitch Pin, 3/4 x 4	_____
	1	511-354	Linch Pin, 1/4	_____
2	1	518-011	Top Category-2 Bushing	_____
3L	1	517-713	Top Hitch Bracket, Left	_____
3R	1	517-714	Top Hitch Bracket, Right	_____
	4	511-026	Hex Capscrew, 5/8-11 x 5	_____
	4	511-142	Hex Nut, 5/8-11	_____
4	3	517-879	Spacer, 1" OD x 5/8 ID x 2-1/2	_____
	3	511-028	Hex Capscrew, 5/8-11 x 4	_____
	3	511-142	Hex Nut, 5/8-11	_____
5	3	518-418	Spacer Strap	_____
	6	511-166	Hex Capscrew, 5/8-11 x 2	_____
	6	511-142	Hex Nut, 5/8-11	_____
6	6	517-440	Hitch Bracket Brace	_____

PARTS LIST

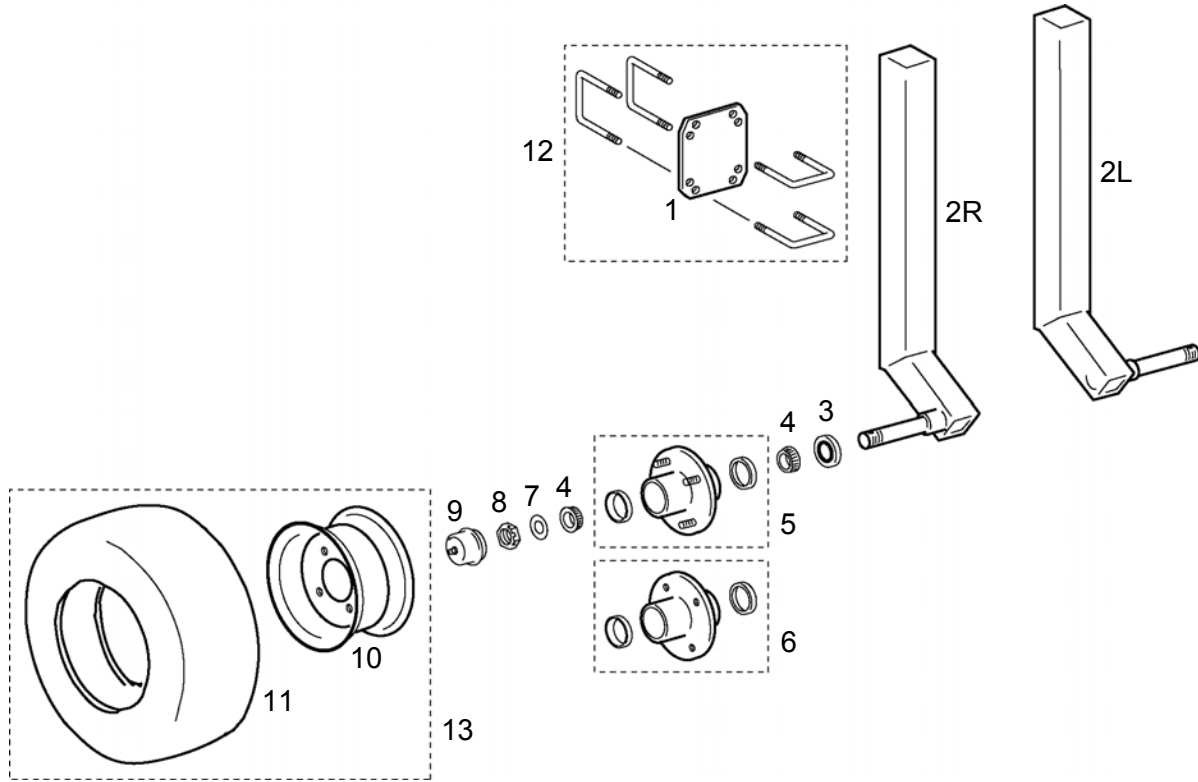
Ref	Quan	Part No	Description	Price
7L	2	517-715	Lower Hitch Bracket, Left	_____
7R	2	517-716	Lower Hitch Bracket, Right	_____
	8	511-026	Hex Capscrew, 5/8-11 x 5	_____
	8	511-142	Hex Nut, 5/8-11	_____
8	2	518-314	Hitch Pin, 7/8 x 4	_____
	2	511-354	Linch Pin, 1/4	_____
9	2	518-013	Lower Category-2 Bushing	_____
10	4	519-461	Toolbar Spacer Plate	_____
	16	511-026	Hex Capscrew, 5/8-11 x 5	_____
	16	511-142	Hex Nut, 5/8-11	_____
			ADD (2) Toolbar to Toolbar Hitch	
11	2	30040-084	Toolbar, 3sq x 84 x 1/4w - standard on 3201	_____

PARTS LIST



Ref	Quan	Part No	Description	Price
	2	40434	Parking Stand Asby, 36" for 3sq - includes Ref 1 thru 3	_____
1	2	517-925	Parking Stand Bracket	_____
	4	510-730	U-Bolt, 1/2-13 x 3sq x 4	_____
	8	511-051	Hex Nut, 1/2-13	_____
2	2	511-543	Clevis Pin, 1/2 x 2-1/2	_____
	2	511-628	Hair Pin, 5/32	_____
3	2	517-760	Parking Stand, 36"	_____

PARTS LIST

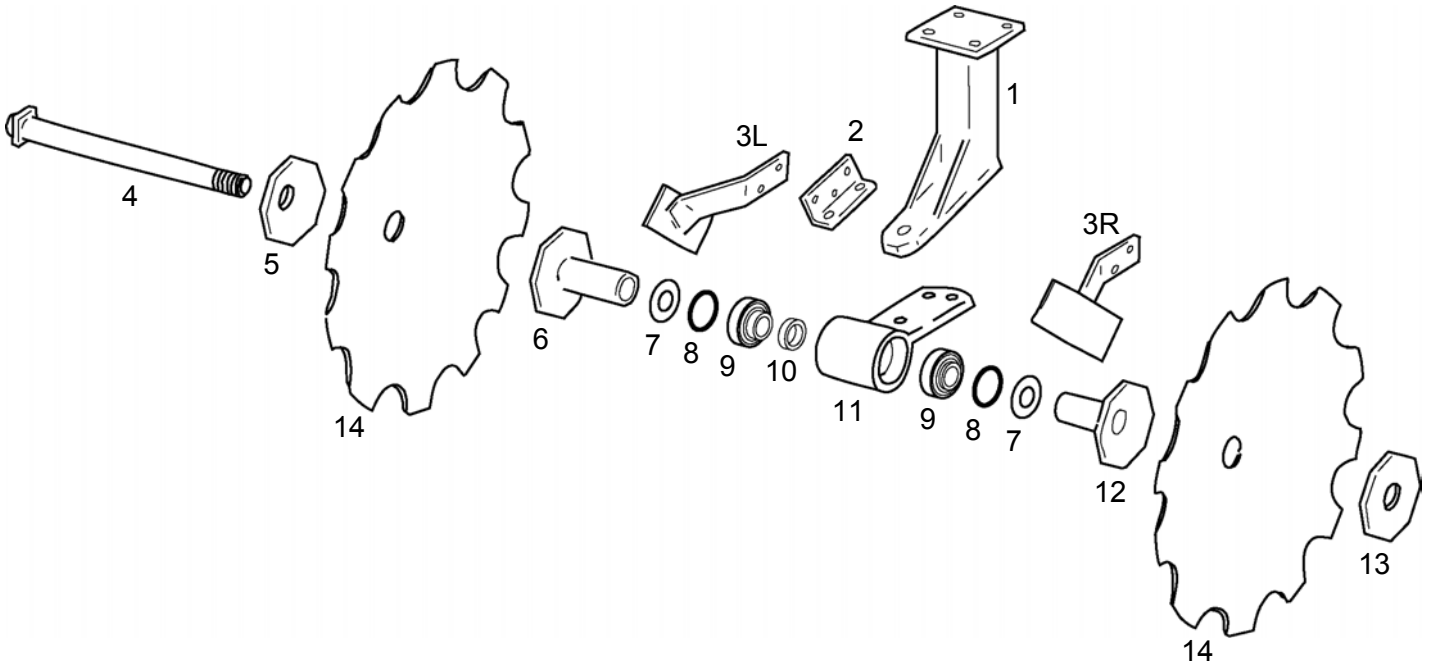


Ref	Quan	Part No	Description	Price
	1	31674	Gauge Wheel Asby, 16x650-8, Pair for 3sq - includes Ref 1 thru 11	_____
	1	517-871	D-Plate, 3 x 2-1/2	_____
	4	510-730	U-Bolt, 1/2-13 x 3sq x 4	_____
	4	510-739	U-Bolt, 1/2-13 x 2-1/2sq x 3-1/2	_____
	16	511-051	Hex Nut, 1/2-13	_____
2L	1	518-773	Shank & Spindle, Angled Left	_____
2R	1	518-774	Shank & Spindle, Angled Right	_____
3	2	511-759	Seal	_____
4	2	511-715	Bearing Cone, L44643	_____
5	2	514-284	Hub w/ Bearing Cups & Studs - alternate to 514-294	_____
	2	510-793	Grease Fitting, 1/4-28 90-deg - early part	_____
	2	511-478	Bearing Cup, L44610 - included	_____
	4	514-291	Stud - included	_____
6	2	514-294	Hub w/ Tapped Holes - alternate to 514-284	_____
	2	510-793	Grease Fitting, 1/4-28 90-deg - early part	_____
	2	511-478	Bearing Cup, L44610 - included	_____
7	2	511-714	Spindle Washer, 1"-10ga	_____

PARTS LIST

Ref	Quan	Part No	Description	Price
8	2	511-425	Spindle Nut, 1-14 Slotted Jam	_____
	2	511-758	Spindle Pin, 5/32 x 1-1/4	_____
9	2	511-424	Dust Cap	_____
	2	510-846	Grease Fitting, 1/4-28 Straight - included	_____
10	2	518-546	Wheel, 8 x 5-3/8, 4-bolt, 1-3/4" backspacing	_____
	2	515-581	Valve Stem - included	_____
	2	514-286	Valve - included	_____
	2	514-287	Cap - included	_____
	8	510-954	Lug Bolt, 1/2-20 x 1- alternate to 510-792	_____
	8	510-792	Lug Nut, 1/2-20 - alternate to 510-954	_____
11	2	516-830	Tire, 16x650-8	_____
			Parts assemblies w/ related fasteners	
12	2	30254E	D-Clamp Asby, 3sq x 2-1/2sq	_____
13	2	518-447	Wheel Asby, 16x650-8	_____

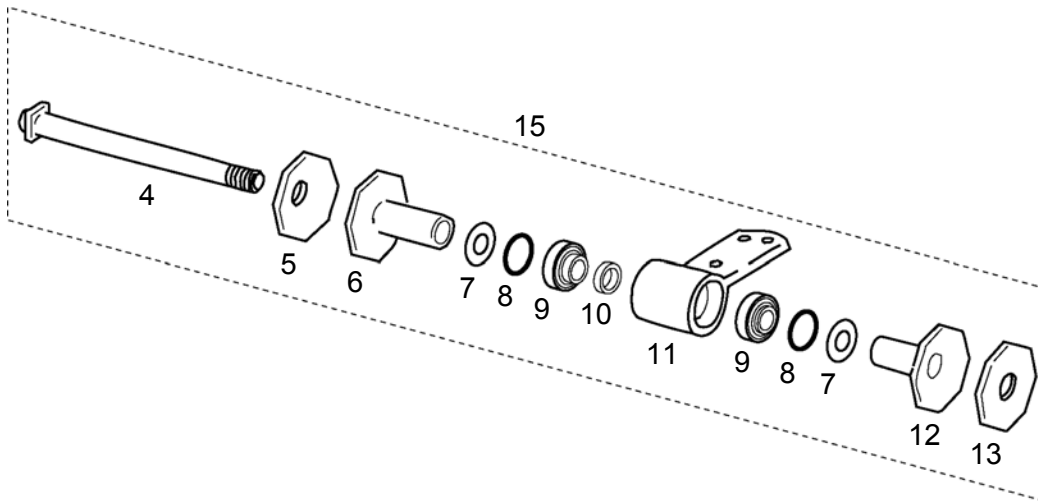
PARTS LIST



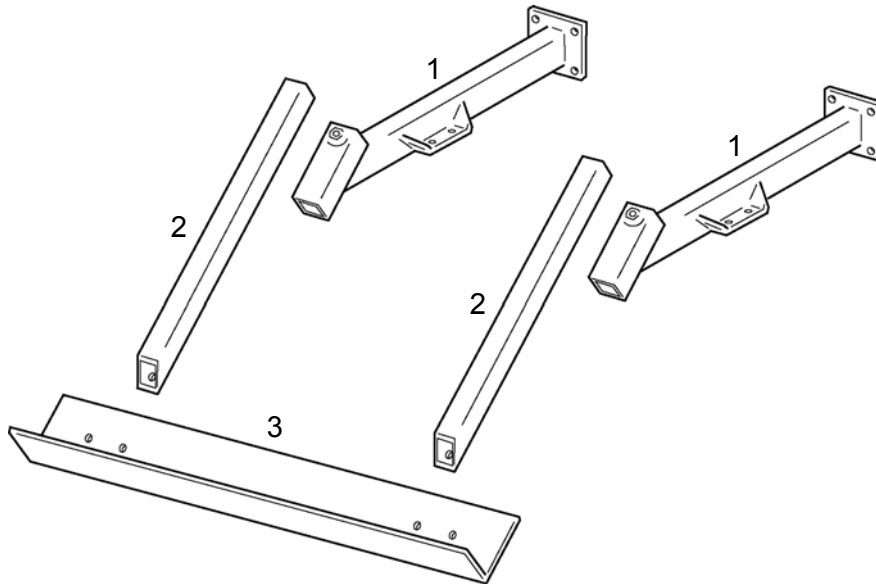
Ref	Quan	Part No	Description	Price
	1	30653	Disk Gangs & Shanks, 14" Spacing, Pair for 3sq - includes Ref 1 thru 13	_____
1	2	518-686	Disk Gang Shank, 75-Deg	_____
	4	511-122	U-Bolt, 5/8-11 x 3sq x 4-1/2	_____
	8	511-142	Hex Nut, 5/8-11	_____
2	2	514-487	Scraper Bracket	_____
3L	1	514-563	Scraper, Left	_____
3R	1	514-564	Scraper, Right	_____
	4	511-069	Hex Capscrew, 1/2-13 x 1-1/2	_____
	4	511-051	Hex Nut, 1/2-13	_____
4	2	514-490	Arbor Shaft, 1-1/2rd x 18-1/2	_____
	2	510-738	Hex Slotted Nut, 1-1/2-12	_____
	2	511-150	Machine Bushing, 1-1/2-10ga	_____
	2	511-138	Cotter Pin, 1/4 x 2	_____
5	2	514-491	End Washer, Concave	_____
6	2	518-583	Half Spool, Flat	_____
7	4	518-101	[Bearing Shield] Flat Washer, 1-3/8 SAE for 1-1/2 shaft	_____
8	4	518-102	[Rubber Spacer] O-Ring	_____
9	4	518-089	Bearing, SER208-24 (discard snap ring and set screws)	_____
10	2	518-088	Bearing Spacer, 9/16"	_____

PARTS LIST

Ref	Quan	Part No	Description	Price
11	2	514-884	Bearing Housing	_____
	4	511-031	Hex Capscrew, 5/8-11 x 2-3/4	_____
	4	511-142	Hex Nut, 5/8-11	_____
12	2	518-581	Half Spool, Concave	_____
13	2	514-493	End Washer, Flat	_____
ADD (4) Disk Blades to complete Disk Gang & Shank Set				
14	4		Disk Blade, _____ x _____ (choose size below, mix or match)	
		517-237	16" Notched x 1-1/2rd	_____
		517-741	18" Notched x 1-1/2rd	_____
		514-489	20" Plain x 1-1/2rd	_____
		514-677	20" Notched x 1-1/2rd	_____
		515-046	22" Notched x 1-1/2rd - standrd on 3201	_____
		518-044	24" Notched x 1-1/2rd	_____
		518-549	26" Notched x 1-1/2rd	_____
Parts assembly w/ related fasteners				
15	1	518-082	Gang Hub & Spool Asby	_____



PARTS LIST



Ref	Quan	Part No	Description	Price
		1	OPTION	
		30311	Leveling Bar Asby for 3sq - includes Ref 1 thru 3	_____
1	2	518-675	Leveling Bar / Shaper Pan Bracket	_____
	8	511-025	Hex Capscrew, 5/8-11 x 5-1/2 (use with Model 2161, 2361)	_____
	4	511-122	U-Bolt, 5/8-11 x 3sq x 4-1/2 (use with Model 2261)	_____
	8	511-142	Hex Nut, 5/8-11 (use with Model 2261)	_____
2	2	514-516	Shank	_____
	4	511-070	Hex Capscrew, 1/2-13 x 1-1/4	_____
	4	511-217	Hex Jam Nut, 1/2-13	_____
3	1	518-679	Leveling Bar	_____
	2	510-996	Capscrew, 5/8-11 x 1-1/4	_____
	2	511-142	Hex Nut, 5/8-11	_____