



BUCKEYE TRACTOR CO

Parts List

**Model 4161
DISK BEDDER**

Version B11 • Serial No. 4831500 • Effective 11-15-10

Serial No: _____ Date Received: ___ / ___ / ___

Purchased From: _____

Invoice No: _____



BUCKEYE TRACTOR CO

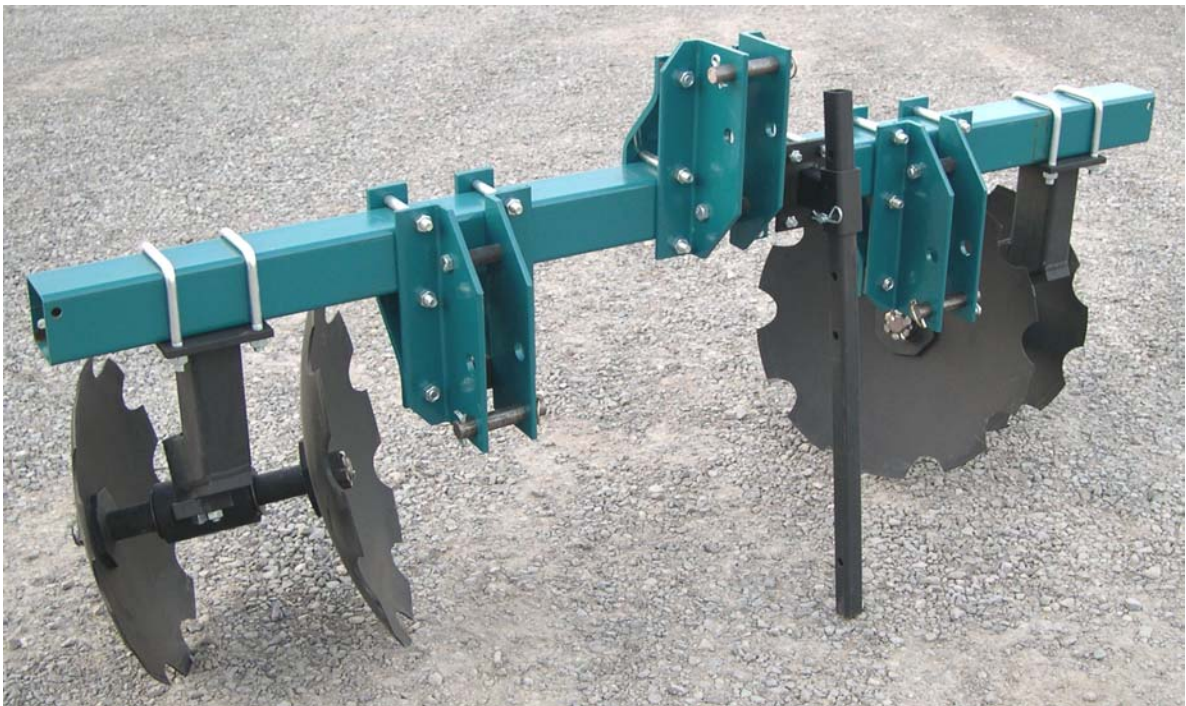
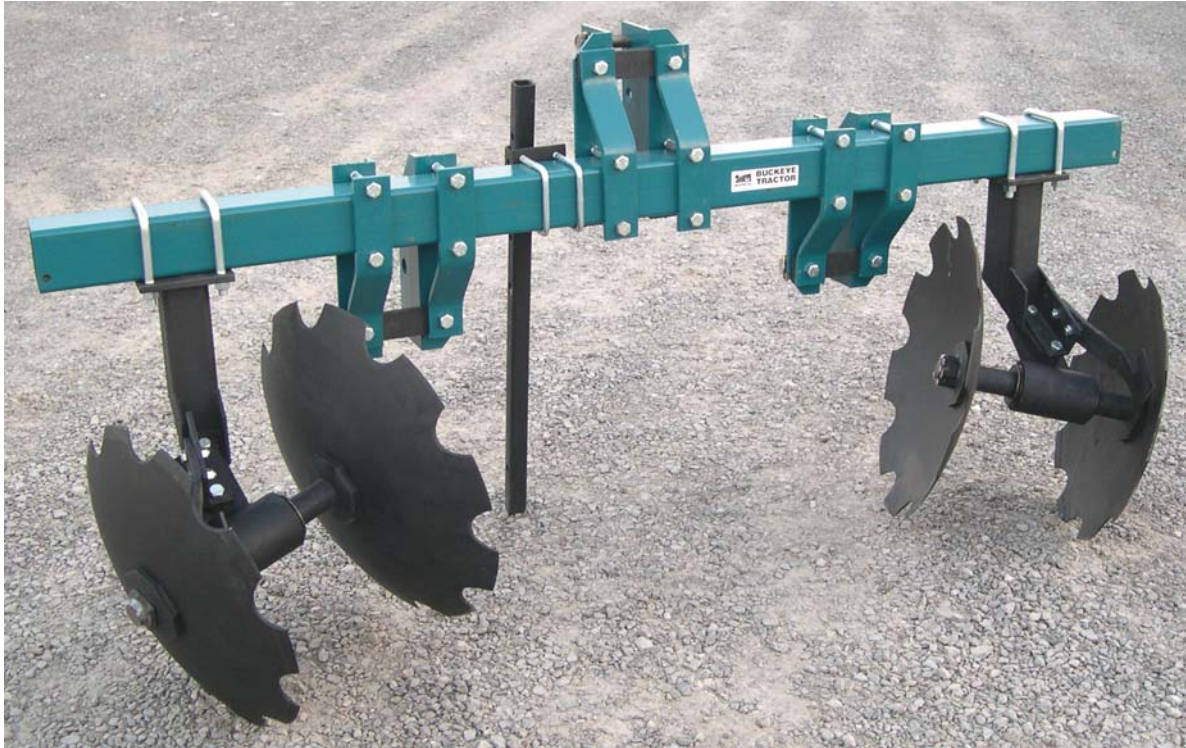
P.O.Box 97 • 11313 Slabtown Road • Columbus Grove, Ohio 45830 USA

Call 419-659-2162 • Fax 419-659-2082

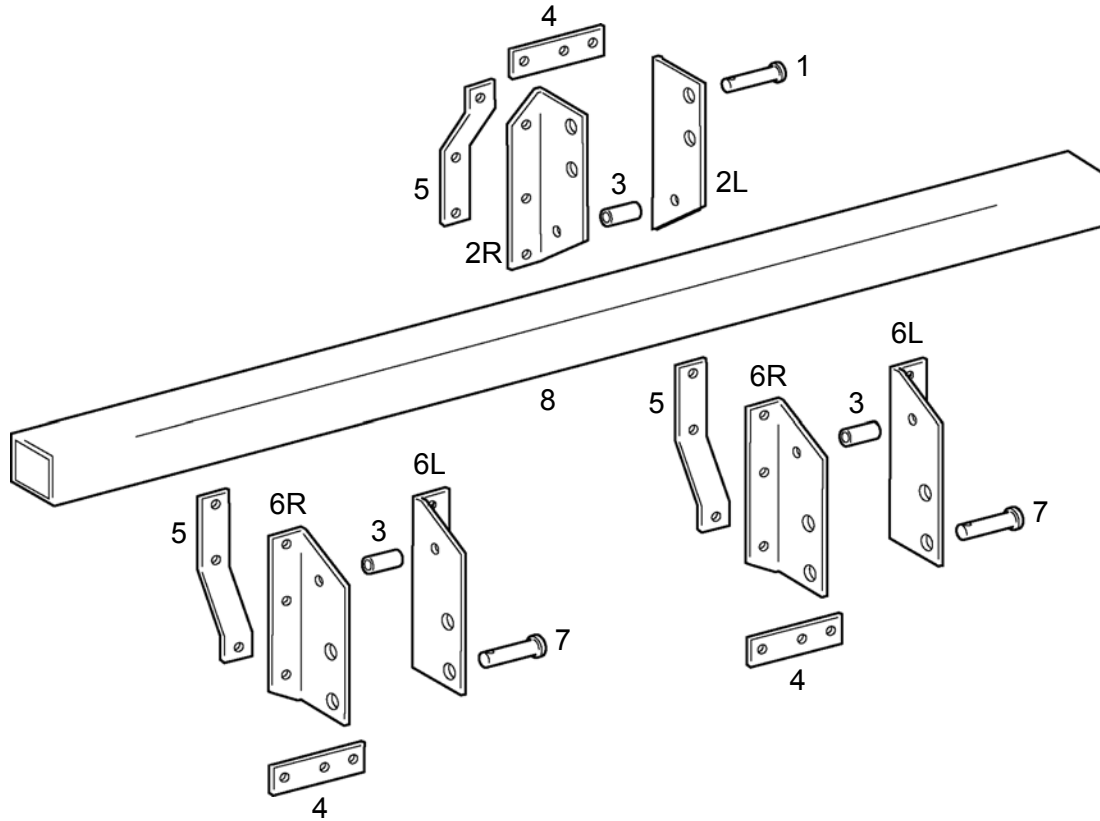
buckeyetractor@bright.net • www.buctraco.com

YOUR PURCHASE INCLUDES COMPLETE AFTER-SALE SERVICE

GALLERY



PARTS LIST

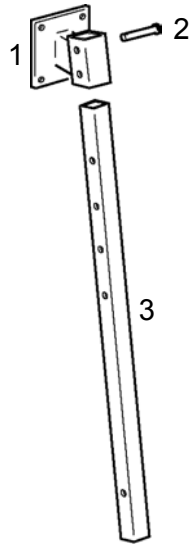


Ref	Quan	Part No	Description	Price
	1	42211	Toolbar Hitch - includes Ref 1 thru 7	
1	1	517-516	Hitch Pin, 1"	_____
	1	512-816	Linch Pin, 5/16	_____
2L	1	517-736	Top Hitch Bracket, Left	_____
2R	1	517-737	Top Hitch Bracket, Right	_____
	4	511-024	Hex Capscrew, 5/8-11 x 6	_____
	4	511-142	Hex Nut, 5/8-11	_____
3	3	518-180	Spacer Bushing, 1od x 5/8id x 2-3/4long	_____
	3	510-733	Hex Capscrew, 5/8-11 x 4-1/4	_____
	3	511-142	Hex Nut, 5/8-11	_____
4	3	517-961	Spacer Strap	_____
	6	511-035	Hex Capscrew, 5/8-11 x 2-1/4	_____
	6	511-142	Hex Nut, 5/8-11	_____
5	6	517-827	Hitch Bracket Brace	_____

PARTS LIST

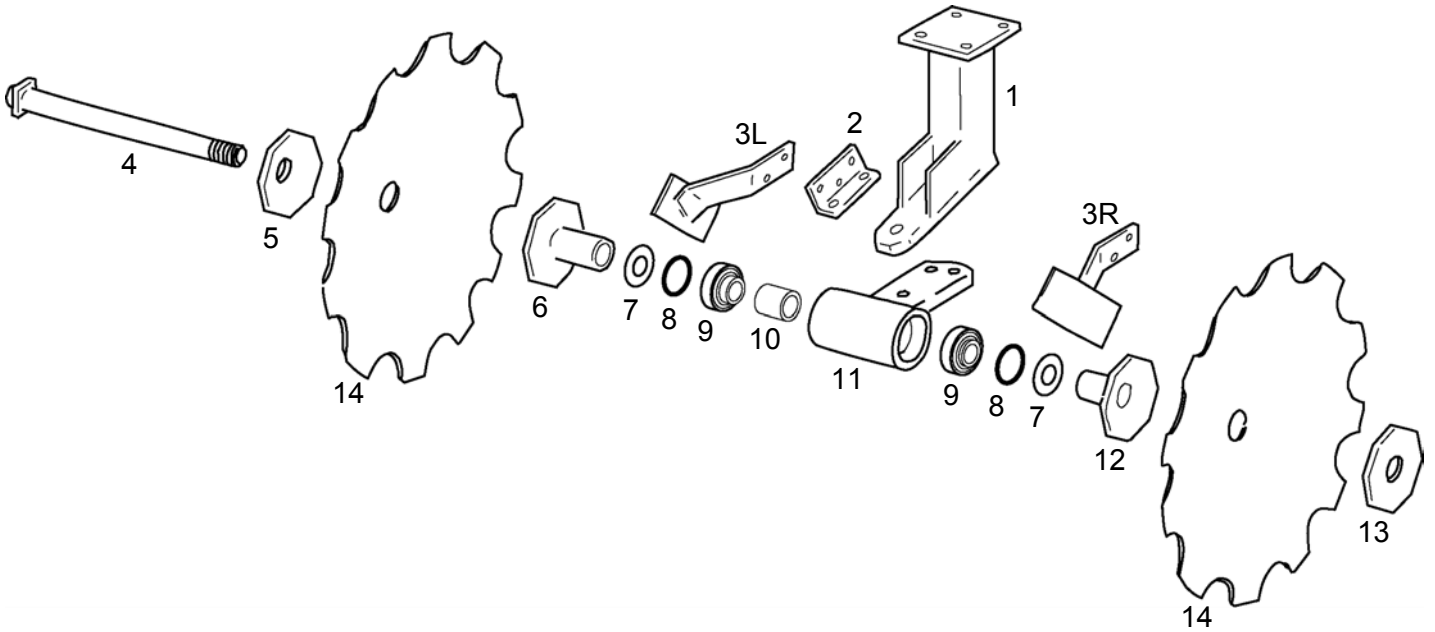
Ref	Quan	Part No	Description	Price
6L	1	517-738	Lower Hitch Bracket, Left	_____
6R	1	517-739	Lower Hitch Bracket, Right	_____
	8	511-024	Hex Capscrew, 5/8-11 x 6	_____
	8	511-142	Hex Nut, 5/8-11	_____
7	2	517-518	Hitch Pin, 1-1/8"	_____
	2	512-816	Linch Pin, 5/16	_____
			ADD (1) Toolbar to Toolbar Hitch	
8	1	40040-084	Toolbar, 4sq x 84 x 1/4w - standard on 4161	_____

PARTS LIST



Ref	Quan	Part No	Description	Price
	1	18678	Parking Stand Asby, 4sq x 36 Angled for 4sq - includes Ref 1 thru 3	_____
1	1	518-539	Parking Stand Bracket	_____
	2	510-732	U-Bolt, 1/2-13 x 4sq x 5	_____
	4	511-051	Hex Nut, 1/2-13	_____
2	1	511-543	Clevis Pin, 1/2 x 2-1/2	_____
	1	511-628	Hair Pin, 5/32	_____
3	1	517-760	Parking Stand, 36	_____

PARTS LIST



Ref	Quan	Part No	Description	Price
	1	18750	Disk Gangs & Shanks, 14" Spacing, Pair for 4sq - includes Ref 1 thru 13	_____
1	2	518-731	Disk Gang Shank, 75-deg	_____
	4	510-737	U-Bolt, 5/8-11 x 4sq x 5-1/2	_____
	8	511-142	Hex Nut, 5/8-11	_____
2	2	514-487	Scraper Bracket	_____
3L	1	14563	Scraper, Left	_____
3R	1	14564	Scraper, Right	_____
	4	11069	Hex Capscrew, 1/2-13 x 1-1/2	_____
	4	11051	Hex Nut, 1/2-13	_____
4	2	14490	Arbor Shaft, 1-1/2rd x 18-1/2	_____
	2	10738	Hex Slotted Nut, 1-1/2-12	_____
	2	11150	Machine Bushing, 1-1/2-10ga	_____
	2	11138	Cotter Pin, 1/4 x 2	_____
5	2	14491	End Washer, Concave	_____
6	2	18693	Half Spool, Flat	_____
7	4	18101	[Bearing Shield] Flat Washer, 1-3/8 SAE for 1-1/2 shaft	_____
8	4	18102	[Rubber Spacer] O-Ring	_____
9	4	18089	Bearing, SER208-24 remove snap ring and set screws	_____
10	2	18251	Bearing Spacer, 2-9/16"	_____

PARTS LIST

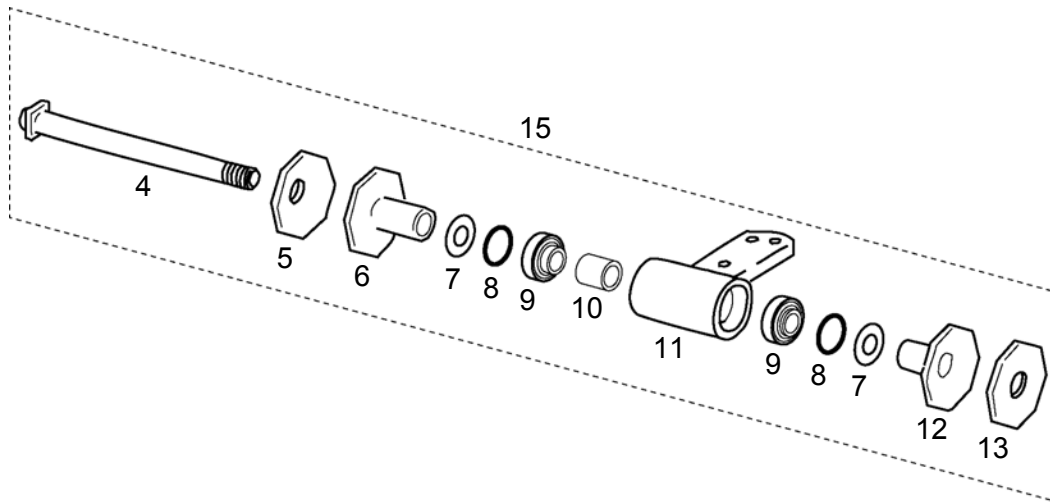
Ref	Quan	Part No	Description	Price
11	2	18288	Bearing Housing	_____
	4	11030	Hex Capscrew, 5/8-11 x 3	_____
	4	11142	Hex Nut, 5/8-11	_____
12	2	18691	Half Spool, Concave	_____
13	2	14493	End Washer, Flat	_____

ADD (4) Disk Blades to complete Disk Gang & Shank Set

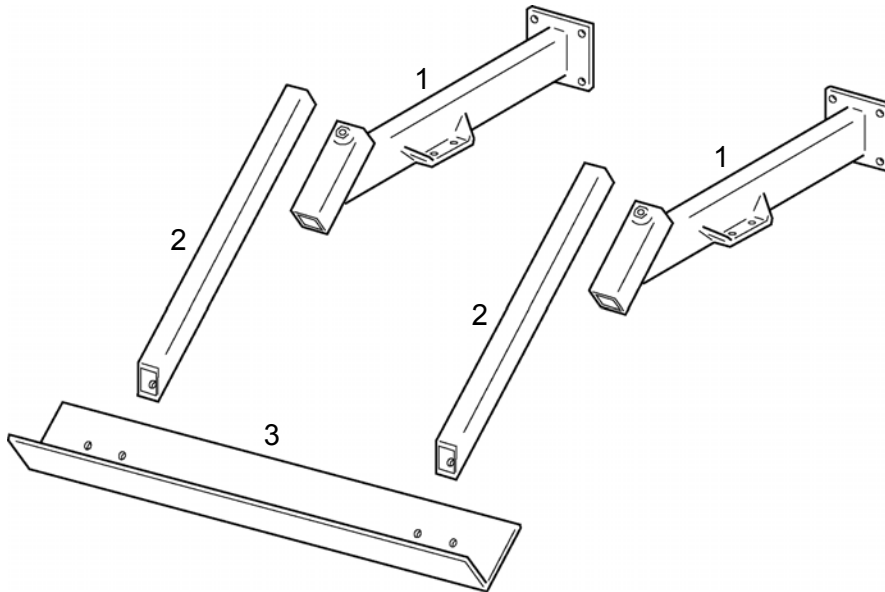
14	4		Disk Blade, _____ x _____ (choose size below, mix or match)	
		517-237	16" Notched x 1-1/2rd	_____
		517-741	18" Notched x 1-1/2rd	_____
		514-489	20" Plain x 1-1/2rd	_____
		514-677	20" Notched x 1-1/2rd	_____
		515-046	22" Notched x 1-1/2rd	_____
		518-044	24" Notched x 1-1/2rd - standard on 4161	_____
		518-549	26" Notched x 1-1/2rd	_____

Parts assembly w/ related fasteners

15	1	518-184	Gang Hub & Spool Asby	
----	---	---------	-----------------------	--

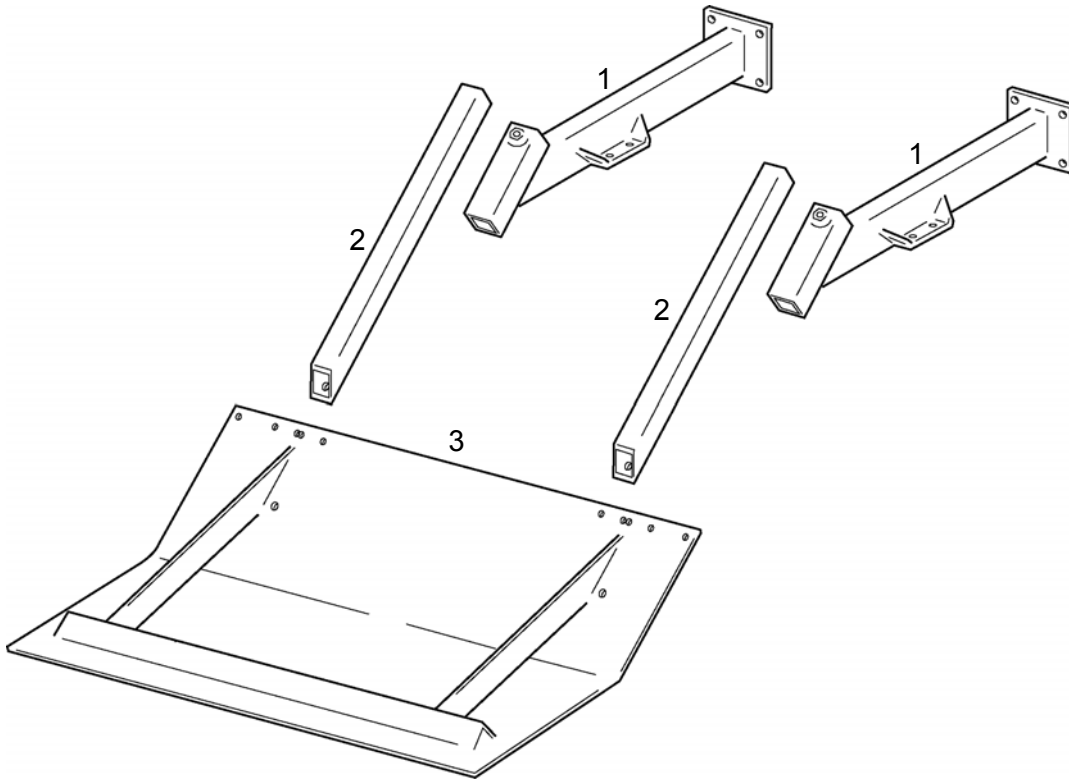


PARTS LIST



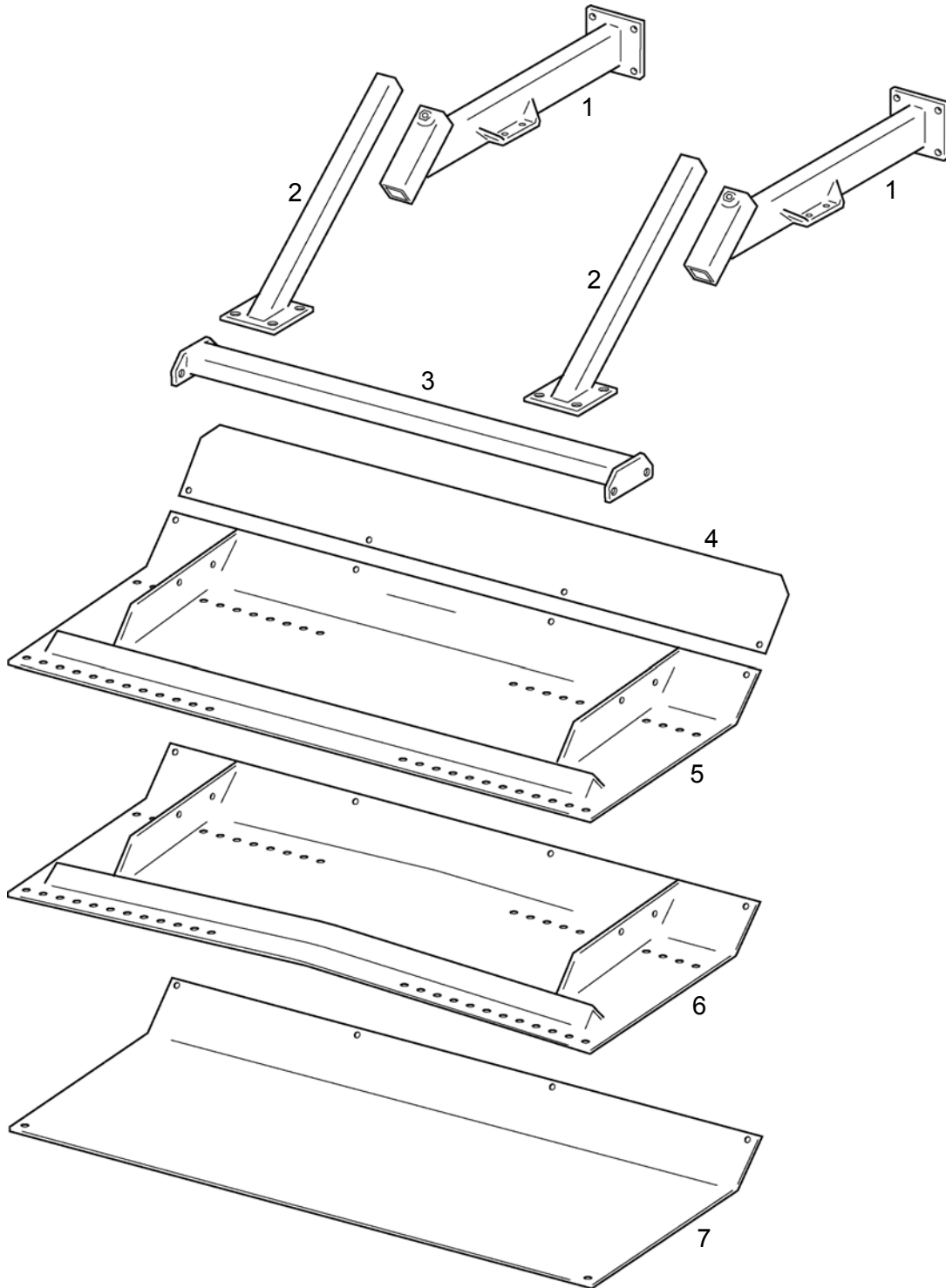
Ref	Quan	Part No	Description	Price
		1	OPTION	
		18640	Leveling Bar Asby for 4sq - includes Ref 1 thru 3	_____
1	2	518-721	Leveling Bar / Shaper Pan Bracket	_____
	8	510-716	Hex Capscrew, 5/8-11 x 6-1/2 (used on 4161, 4361)	_____
	4	510-737	U-Bolt, 5/8-11 x 4sq x 5-1/2 (used on 4261)	_____
	8	511-142	Hex Nut, 5/8-11 (used on 4261)	_____
2	2	514-516	Shank	_____
	4	511-070	Hex Capscrew, 1/2-13 x 1-1/4	_____
	4	511-217	Hex Jam Nut, 1/2-13	_____
3	1	518-679	Leveling Bar	_____
	2	510-996	Capscrew, 5/8-11 x 1-1/4	_____
	2	511-142	Hex Nut, 5/8-11	_____

PARTS LIST



Ref	Quan	Part No	Description	Price
OPTION				
	1	18660	Leveling Pan Asby for 4sq - includes Ref 1 thru 3	_____
1	2	518-721	Leveling Bar / Shaper Pan Bracket	_____
	8	510-716	Hex Capscrew, 5/8-11 x 6-1/2 (used on 4161, 4361)	_____
	4	510-737	U-Bolt, 5/8-11 x 4sq x 5-1/2 (used on 4261)	_____
	8	511-142	Hex Nut, 5/8-11 (used on 4261)	_____
2	2	514-516	Shank	_____
	4	511-070	Hex Capscrew, 1/2-13 x 11/4	_____
	4	511-217	Hex Jam Nut, 1/2-13	_____
3	1	517-683	Leveling Pan	_____
	2	511-121	U-Bolt, 1/2-13 x 2sq x 3	_____
	4	511-051	Hex Nut, 1/2-13	_____
	2	510-996	Capscrew, 5/8-11 x 1-1/4	_____
	2	511-142	Hex Nut, 5/8-11	_____

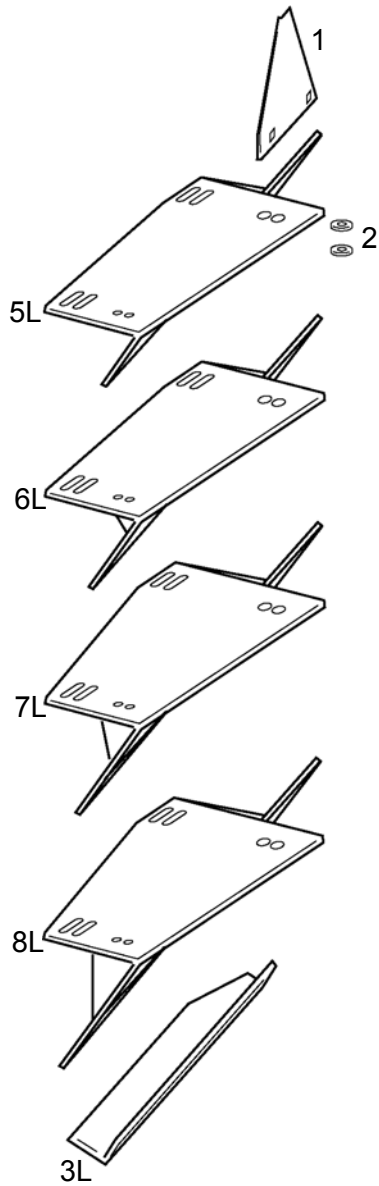
PARTS LIST



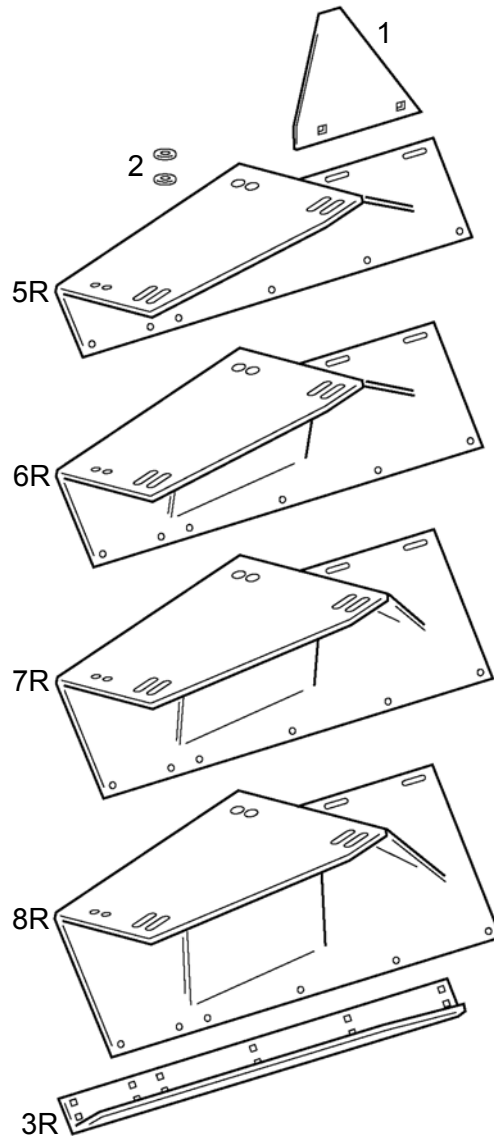
PARTS LIST

Ref	Quan	Part No	Description	Price
			OPTION	
	1	18720	Shaper Pan Asby for 4sq - includes Ref 1 thru 5	
1	2	518-721	Leveling Bar / Shaper Pan Bracket	_____
	8	510-716	Hex Capscrew, 5/8-11 x 6-1/2 (used on 4161, 4361)	_____
	4	510-737	U-Bolt, 5/8-11 x 4sq x 5-1/2 (used on 4261)	_____
	8	511-142	Hex Nut, 5/8-11 (used on 4261)	_____
2	2	516-783	Pan Shank	_____
	4	511-070	Hex Capscrew, 1/2-13 x 1-1/4	_____
	4	511-217	Hex Jam Nut, 1/2-13	_____
3	1	517-998	Shaper Pan Toolbar	_____
	4	510-741	U-Bolt, 1/2-13 x 3sq x 3	_____
	8	511-051	Hex Nut, 1/2-13	_____
4	1	517-547	Front Shield, 72"	_____
	4	511-071	Hex Capscrew, 1/2-13 x 1	_____
	4	511-051	Hex Nut, 1/2-13	_____
5	1	517-860	Shaper Pan, 72"	_____
	4	511-070	Hex Capscrew, 1/2-13 x 1-1/4	_____
	4	511-051	Hex Nut, 1/2-13	_____
			OPTION with 18720 Shaper Pan Asby	
	1	17316A	Crowned Shaper Pan Pkg - includes Ref 6, replaces Ref 5	
6	1	517-917	Crowned Shaper Pan, 72"	_____
			OPTION with 18720 Shaper Pan Asby	
			Shaper Pan Poly Liner	
7	1	516-401	Shaper Pan Poly Liner, 72"	_____
7	1	524-872	Crowned Shaper Pan Poly Liner, 72"	_____

PARTS LIST



4 - Furrow Shaper Fasteners



PARTS LIST

Ref	Quan	Part No	Description	Price
	1	519-321	Bed Height Completing Pkg - includes Ref 1 thru 4	_____
1	2	518-617	Adjustable Side Shield	_____
	4	510-750	Carriage Bolt, 3/8-16 x 1	_____
	4	511-194	Flat Washer, 3/8 USS	_____
	4	511-008	Hex Nut, 3/8-16	_____
2	4	512-057	Heavy Washer, 1/2 x 1-1/2od	_____
3L	1	518-608	Furrow Shoe, Left	_____
3R	1	518-609	Furrow Shoe, Right	_____
	12	510-750	Carriage Bolt, 3/8-16 x 1	_____
	12	511-008	Hex Nut, 3/8-16	_____
4			[Furrow Shaper Fasteners]	_____
	2	511-069	Hex Capscrew, 1/2-13 x 1-1/2	_____
	6	511-070	Hex Capscrew, 1/2-13 x 1-1/4	_____
	4	511-184	Flat Washer, 1/2 SAE	_____
	8	511-051	Hex Nut, 1/2-13	_____
ADD (1) Bed Height Package to complete Shaper Pan				
	1	519-305	Bed Height Pkg, 5" Base for 5" or 6" adjustable bed height - includes Ref 5L, 5R	_____
5L	1	518-655	Furrow Shaper, 5" Base Left	_____
5R	1	518-665	Furrow Shaper, 5" Base Right	_____
	1	519-307	Bed Height Pkg, 7" base for 7" or 8" adjustable bed height - includes Ref 6L, 6R	_____
6L	1	518-657	Furrow Shaper, 7" Base Left	_____
6R	1	518-667	Furrow Shaper, 7" Base Right	_____
	1	519-309	Bed Height Pkg, 9" base for 9" or 10" adjustable bed height - includes Ref 7L, 7R	_____
7L	1	518-659	Furrow Shaper, 9" Base Left	_____
7R	1	518-669	Furrow Shaper, 9" Base Right	_____
	1	519-311	Bed Height Pkg, 11" base for 11" or 12" adjustable bed ht - includes Ref 8L, 8R	_____
8L	1	518-661	Furrow Shaper, 11" Base Left	_____
8R	1	518-671	Furrow Shaper, 11" Base Right	_____