



BUCKEYE TRACTOR CO

Parts List

**Model 4261
DISK BEDDER**

Version B11 • Serial No. 4831500 • Effective 11-15-10

Serial No: _____ Date Received: ___ / ___ / ___

Purchased From: _____

Order / Invoice No: _____



BUCKEYE TRACTOR CO

**P.O.Box 97 • 11313 Slabtown Road • Columbus Grove, Ohio 45830 USA
call 419-659-2162 • fax 419-659-2082**

buckeyetractor@bright.net • www.buctraco.com

YOUR PURCHASE INCLUDES COMPLETE AFTER-SALE SERVICE

GALLERY

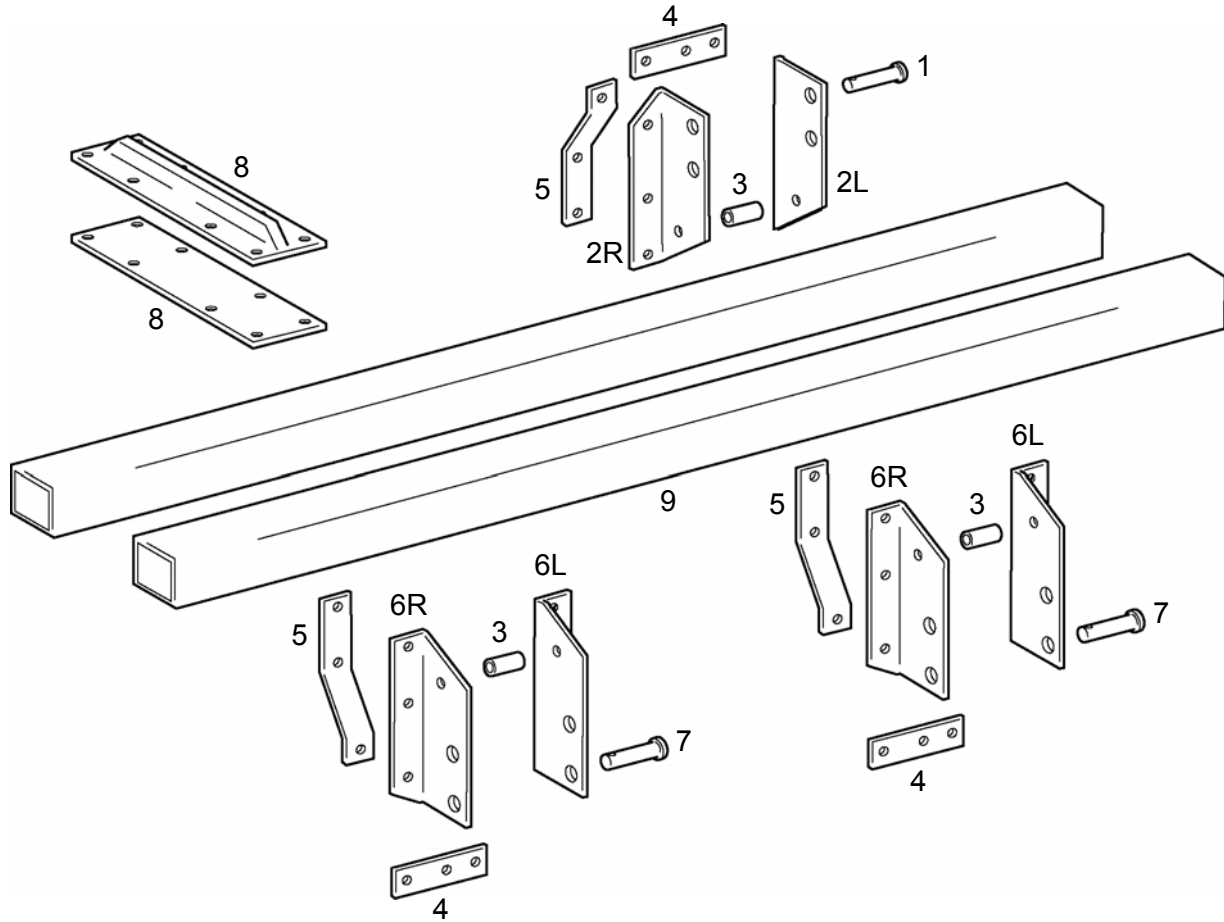


shown with optional leveling bar



shown with optional leveling bar

PARTS LIST

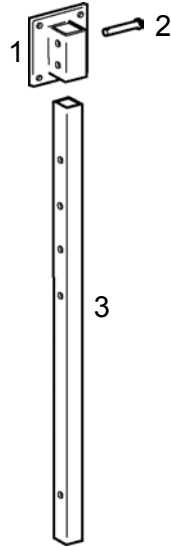


Ref	Quan	Part No	Description	Price
		42262	Toolbar Hitch - includes Ref 1 thru 8	
1	1	517-516	Hitch Pin, 1 x 4-1/2	_____
	1	512-816	Linch Pin, 5/16	_____
2L	1	517-736	Top Hitch Bracket, Left	_____
2R	1	517-737	Top Hitch Bracket, Right	_____
	4	511-024	Hex Capscrew, 5/8-11 x 6	_____
	4	511-142	Hex Nut, 5/8-11	_____
3	3	518-180	Spacer Bushing, 1od x 5/8id x 2-3/4long	_____
	3	510-733	Hex Capscrew, 5/8-11 x 4-1/4	_____
	3	511-142	Hex Nut, 5/8-11	_____
4	3	517-961	Spacer Strap	_____
	6	511-035	Hex Capscrew, 5/8-11 x 2-1/4	_____
	6	511-142	Hex Nut, 5/8-11	_____
5	6	517-827	Hitch Bracket Brace	_____

PARTS LIST

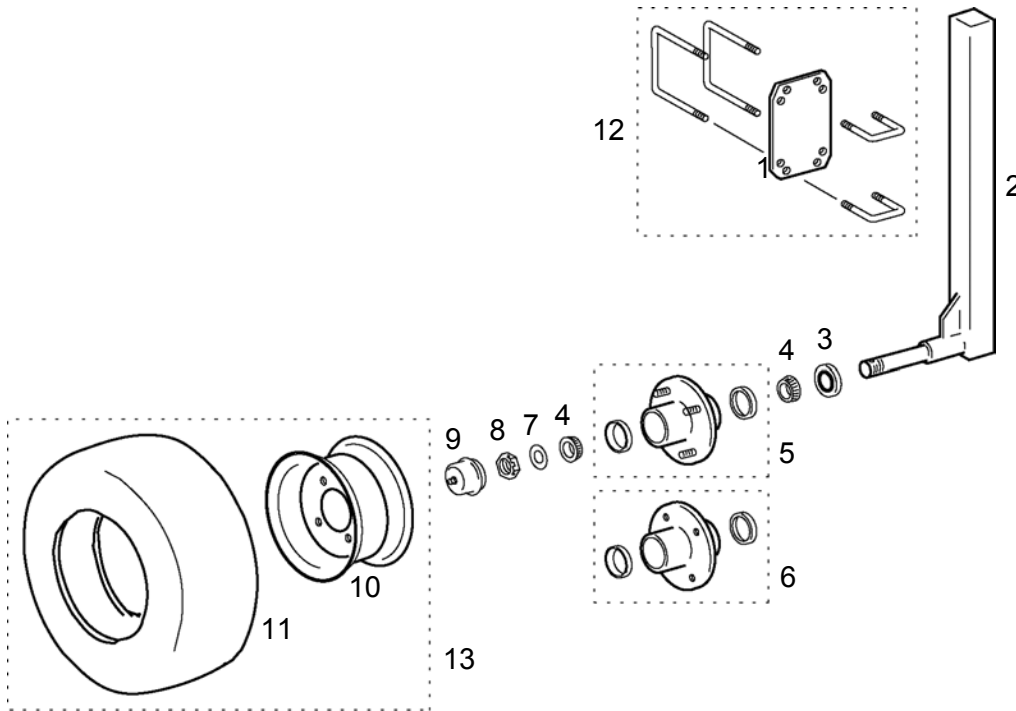
Ref	Quan	Part No	Description	Price
6L	1	517-738	Lower Hitch Bracket, Left	_____
6R	1	517-739	Lower Hitch Bracket, Right	_____
	8	511-024	Hex Capscrew, 5/8-11 x 6	_____
	8	511-142	Hex Nut, 5/8-11	_____
7	2	517-518	Hitch Pin, 1-1/8 x 4-1/2	_____
	2	512-816	Linch Pin, 5/16	_____
8	4	518-475	Toolbar Spacer, 4sq x 12	_____
	16	511-024	Hex Capscrew, 5/8-11 x 6	_____
	16	511-142	Hex Nut, 5/8-11	_____
			ADD (2) Toolbar to Toolbar Hitch	
9	2	40040-084	Toolbar, 4sq x 84 x 1/4w - standard on 4261	_____

PARTS LIST



Ref	Quan	Part No	Description	Price
	2	18638	Parking Stand Asby, 36" for 4sq - includes Ref 1 thru 3	_____
1	2	518-636	Parking Stand Bracket	_____
	4	510-732	U-Bolt, 1/2-13 x 4sq x 5	_____
	8	511-051	Hex Nut, 1/2-13	_____
2	2	511-543	Clevis Pin, 1/2 x 2-1/2	_____
	2	511-628	Hair Pin, 5/32	_____
3	2	517-760	Parking Stand, 36"	_____

PARTS LIST

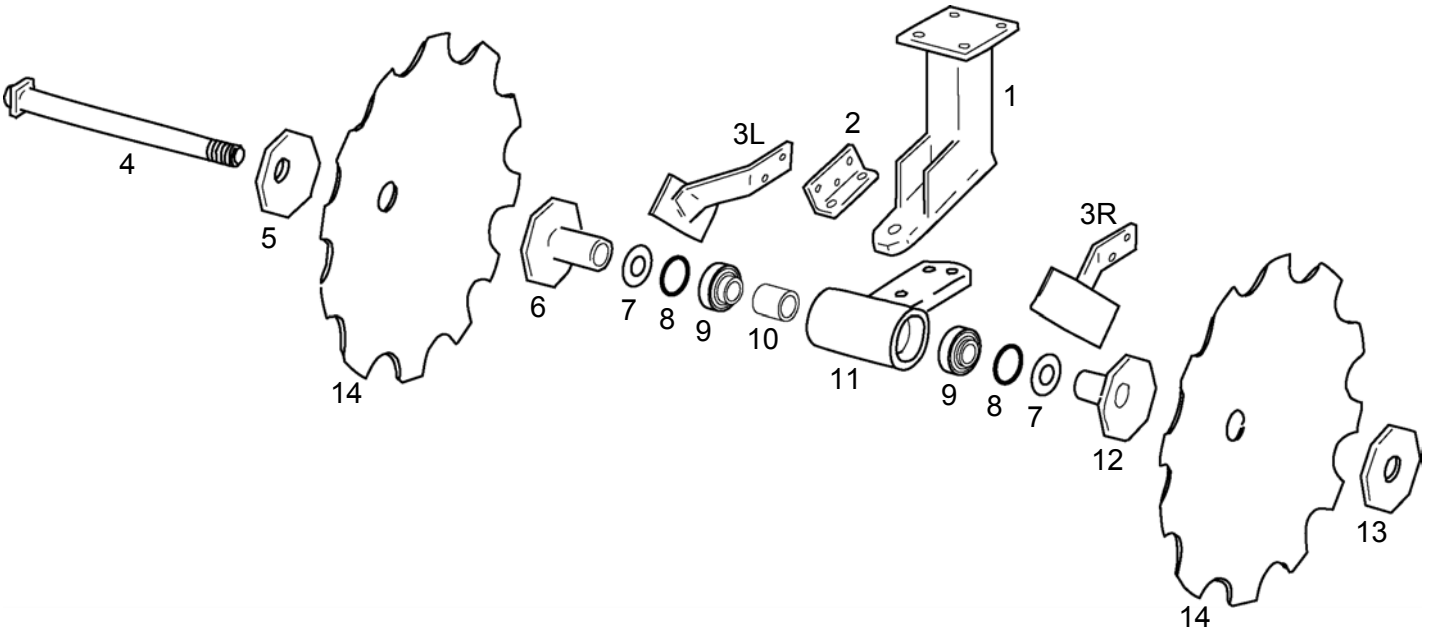


Ref	Quan	Part No	Description	Price
	1	18174	Gauge Wheel Asby, 18x850-8, Pair for 4sq - includes Ref 1 thru 11	_____
1	2	517-994	D-Plate, 4 x 2	_____
	4	510-732	U-Bolt, 1/2-13 x 4sq x 5	_____
	4	511-121	U-Bolt, 1/2-13 x 2sq x 3	_____
	16	511-051	Hex Nut, 1/2-13	_____
2	2	517-999	Shank & Spindle	_____
3	2	511-759	Seal	_____
4	2	511-715	Bearing Cone, L44643	_____
5	2	514-284	Hub w/ Bearing Cups & Studs - alternate to 514-294	_____
	2	510-793	Grease Fitting, 1/4-28 90-deg - early part	_____
	2	511-478	Bearing Cup, L44610 - included	_____
	4	514-291	Stud - included	_____
6	2	514-294	Hub w/ Tapped Holes - alternate to 514-284	_____
	2	510-793	Grease Fitting, 1/4-28 90-deg - early part	_____
	2	511-478	Bearing Cup, L44610 - included	_____
7	2	511-714	Spindle Washer, 1"-10ga	_____
8	2	511-425	Spindle Nut, 1-14 Slotted Jam	_____
	2	511-758	Spindle Pin, 5/32 x 1-1/4	_____

PARTS LIST

Ref	Quan	Part No	Description	Price
9	2	511-424	Dust Cap	_____
	2	510-846	Grease Fitting, 1/4-28 Straight - included	_____
10	2	517-167	Wheel, 8x7, 4-bolt, 4" backspacing	_____
	2	515-581	Valve Stem - included	_____
	2	514-286	Valve - included	_____
	2	514-287	Cap - included	_____
	8	510-954	Lug Bolt, 1/2-20 x 1- alternate to 510-792	_____
	8	510-792	Lug Nut, 1/2-20 - alternate to 510-954	_____
11	2	517-168	Tire, 18x850-8	_____
			Parts assemblies w/ related fasteners	
12	2	40204E	D-Clamp Asby, 4sq x 2sq	_____
13	2	517-166	Wheel Asby, 18x850-8	_____

PARTS LIST



Ref	Quan	Part No	Description	Price
	1	18750	Disk Gangs & Shanks, 14" Spacing, Pair for 4sq - includes Ref 1 thru 13	_____
1	2	518-731	Disk Gang Shank, 75-deg	_____
	4	510-737	U-Bolt, 5/8-11 x 4sq x 5-1/2	_____
	8	511-142	Hex Nut, 5/8-11	_____
2	2	514-487	Scraper Bracket	_____
3L	1	14563	Scraper, Left	_____
3R	1	14564	Scraper, Right	_____
	4	11069	Hex Capscrew, 1/2-13 x 1-1/2	_____
	4	11051	Hex Nut, 1/2-13	_____
4	2	14490	Arbor Shaft, 1-1/2rd x 18-1/2	_____
	2	10738	Hex Slotted Nut, 1-1/2-12	_____
	2	11150	Machine Bushing, 1-1/2-10ga	_____
	2	11138	Cotter Pin, 1/4 x 2	_____
5	2	14491	End Washer, Concave	_____
6	2	18693	Half Spool, Flat	_____
7	4	18101	[Bearing Shield] Flat Washer, 1-3/8 SAE for 1-1/2 shaft	_____
8	4	18102	[Rubber Spacer] O-Ring	_____
9	4	18089	Bearing, SER208-24 remove snap ring and set screws	_____
10	2	18251	Bearing Spacer, 2-9/16"	_____

PARTS LIST

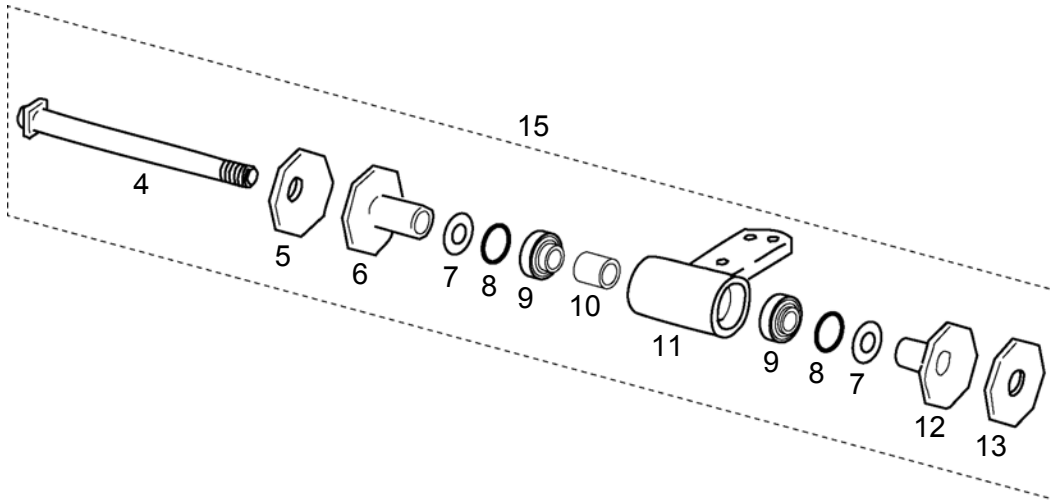
Ref	Quan	Part No	Description	Price
11	2	18288	Bearing Housing	_____
	4	11030	Hex Capscrew, 5/8-11 x 3	_____
	4	11142	Hex Nut, 5/8-11	_____
12	2	18691	Half Spool, Concave	_____
13	2	14493	End Washer, Flat	_____

ADD (4) Disk Blades to complete Disk Gang & Shank Set

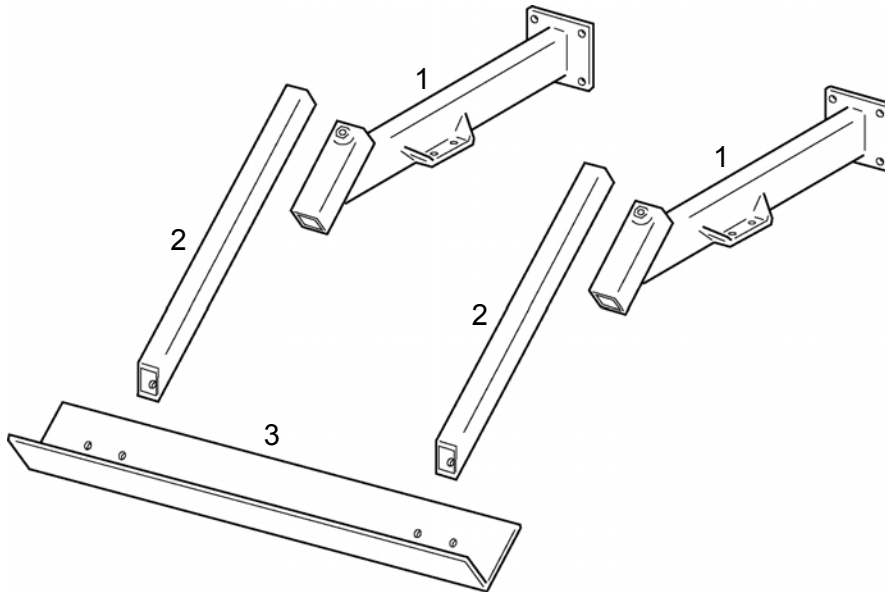
14	4		Disk Blade, _____ x _____ (choose size below, mix or match)	
		517-237	16" Notched x 1-1/2rd	_____
		517-741	18" Notched x 1-1/2rd	_____
		514-489	20" Plain x 1-1/2rd	_____
		514-677	20" Notched x 1-1/2rd	_____
		515-046	22" Notched x 1-1/2rd	_____
		518-044	24" Notched x 1-1/2rd - standard on 4261	_____
		518-549	26" Notched x 1-1/2rd	_____

Parts assembly w/ related fasteners

15	1	518-184	Gang Hub & Spool Asby	
----	---	---------	-----------------------	--



PARTS LIST



Ref	Quan	Part No	Description	Price
			OPTION	
	1	18640	Leveling Bar Asby for 4sq - includes Ref 1 thru 3	_____
1	2	518-721	Leveling Bar / Shaper Pan Bracket	_____
	8	510-716	Hex Capscrew, 5/8-11 x 6-1/2 (used on 4161, 4361)	_____
	4	510-737	U-Bolt, 5/8-11 x 4sq x 5-1/2 (used on 4261)	_____
	8	511-142	Hex Nut, 5/8-11 (used on 4261)	_____
2	2	514-516	Shank	_____
	4	511-070	Hex Capscrew, 1/2-13 x 1-1/4	_____
	4	511-217	Hex Jam Nut, 1/2-13	_____
3	1	518-679	Leveling Bar	_____
	2	510-996	Capscrew, 5/8-11 x 1-1/4	_____
	2	511-142	Hex Nut, 5/8-11	_____