



BUCKEYE TRACTOR CO

Parts List

**Model 1721-D
BED SHAPER**

Version A12 • Serial No. 4960100 • Effective 12-1-11

Serial No: _____ Date Received: ___ / ___ / ___

Purchased From: _____

Order / Invoice No: _____



BUCKEYE TRACTOR CO

**P.O.Box 97 • 11313 Slabtown Road • Columbus Grove, Ohio 45830 USA
call 419-659-2162 • fax 419-659-2082**

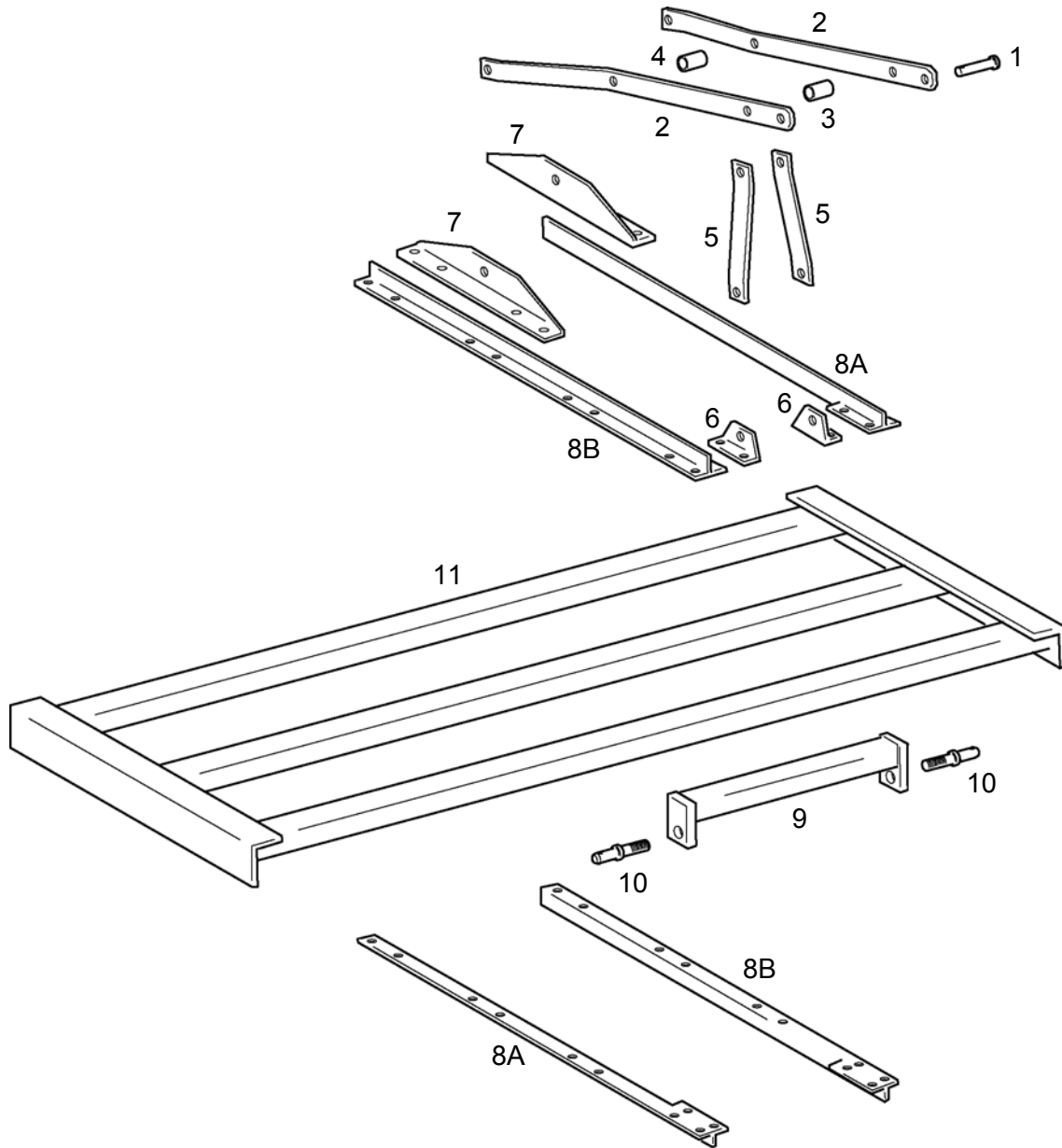
buckeyetractor@bright.net • www.buctraco.com

YOUR PURCHASE INCLUDES COMPLETE AFTER-SALE SERVICE

GALLERY



PARTS LIST



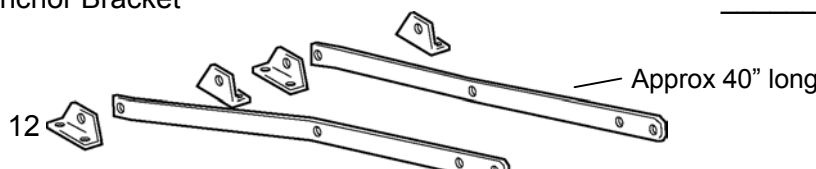
Ref	Quan	Part No	Description	Price
	1	21523	Toolbar Hitch - includes Ref 1 thru 10	_____
1	1	517-512	Hitch Pin, 3/4 x 3-1/4	_____
	1	511-354	Linch Pin, 1/4	_____

PARTS LIST

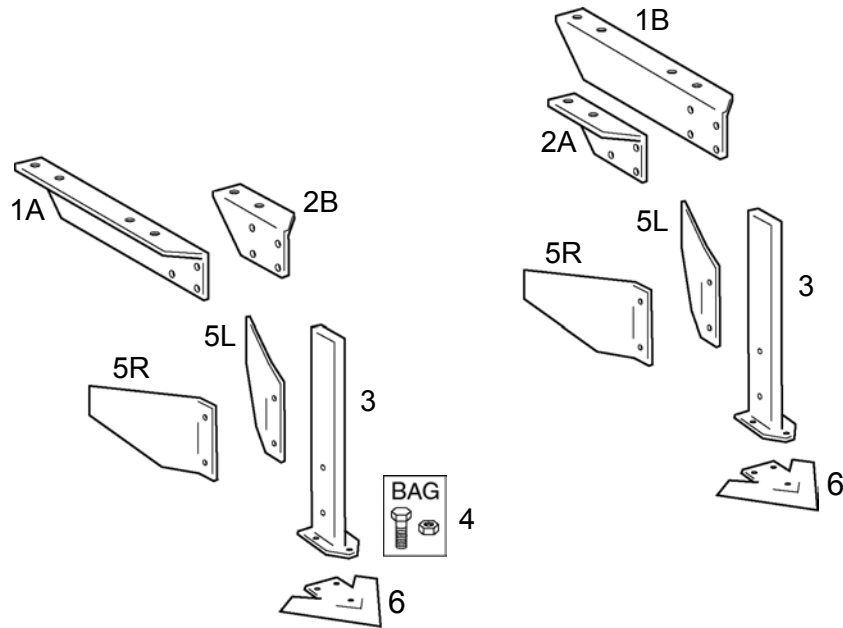
Ref	Quan	Part No	Description	Price
2	2	518-812	Top Hitch Bar	_____
	2	511-143	Hex Capscrew, 5/8-11 x 1-3/4	_____
	1	511-027	Hex Capscrew, 5/8-11 x 4-1/2	_____
	3	511-142	Hex Nut, 5/8-11	_____
3	1	512-425	Bushing, 1" OD x 5/8 ID x 2	_____
4	1	512-425	Bushing, 1" OD x 5/8 ID x 2	_____
	1	511-029	Hex Capscrew, 5/8-11 x 3-1/2	_____
	1	511-214	Hex Nut, 5/8-11 Jam	_____
5	2	518-811	A-Frame Support	_____
	2	510-996	Hex Capscrew, 5/8-11 x 1-1/4	_____
	2	511-142	Hex Nut, 5/8-11	_____
6	6	511-595	Anchor Bracket	_____
	2	511-121	U-Bolt, 1/2-13 x 2sq x 3	_____
	4	511-051	Hex Nut, 1/2-13	_____
7	2	518-803	Rear Anchor Bracket	_____
	4	511-121	U-Bolt, 1/2-13 x 2sq x 3	_____
	8	511-051	Hex Nut, 1/2-13	_____
8A	2	518-813	Hitch Clamp Bar, 3-bar Side A	_____
8B	2	518-815	Hitch Clamp Bar, 3-bar Side B	_____
	12	510-786	Hex Capscrew, 1/2-13 x 3-1/4	_____
	12	511-051	Hex Nut, 1/2-13	_____
9	1	515-847	Lower Hitch Crossbar	_____
	8	510-786	Hex Capscrew, 1/2-13 x 3-1/4	_____
	8	511-051	Hex Nut, 1/2-13	_____
10	2	511-652	Anchor Pin	_____
	2	511-243	Hex Nut, 7/8-14	_____
	2	511-362	Linch Pin, 7/16	_____
			ADD (1) Toolbar Frame to Toolbar Hitch	
11	1	20033-072	Toolbar Frame, 2sq x 3-bar x 72 x 3/16w - standard on 1721-D	_____

EARLY PARTS - retrofit unreferenced parts with current parts

12	4	511-595	Hitch Anchor Bracket	_____
----	---	---------	----------------------	-------

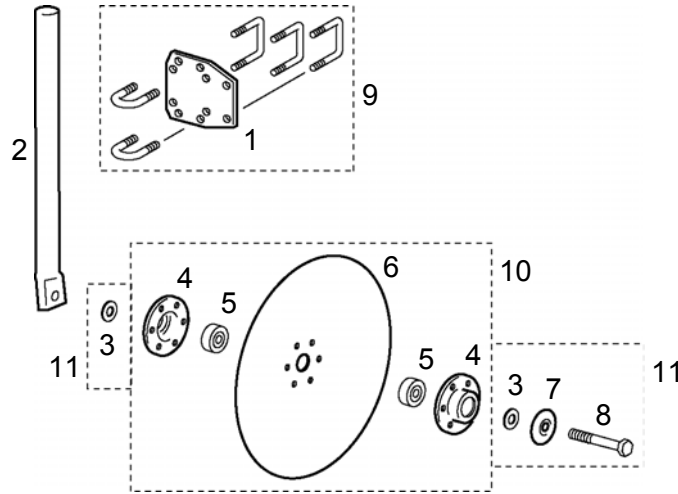


PARTS LIST

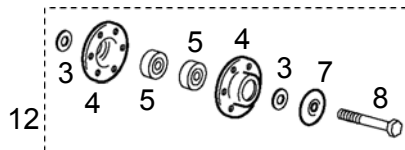


Ref	Quan	Part No	Description	Price
	1	20264	Furrow Shank Asby, 1 x 2-1/2, L&R for 2-bar x 2sq - includes Ref 1 thru 4	_____
1A	1	518-787	Shank Half Bracket, 2-bar Side A	_____
1B	1	518-788	Shank Half Bracket, 2-Bar Side B	_____
	4	511-121	U-bolt, 1/2-13 x 2sq x 3	_____
	8	511-051	Hex Nut, 1/2-13	_____
2A	1	518-598	Shank Half Bracket, Side A	_____
2B	1	518-599	Shank Half Bracket, Side B	_____
	2	511-121	U-bolt, 1/2-13 x 2sq x 3	_____
	4	511-051	Hex Nut, 1/2-13	_____
3	2	518-470	Furrow Shank, 1 x 2-1/2	_____
4	2	99021FA	Bag of Fasteners - to install Flat-Mount Shovel	_____
	6	511-116	Hex Capscrew, 5/16-18 x 1 - included	_____
	6	511-010	Hex Nut, 5/16-18 - included	_____
5L	2	516-460	Furrow Wing, Left	_____
5R	2	516-461	Furrow Wing, Right	_____
	4	511-099	Hex Capscrew, 3/8-16 x 1-3/4	_____
	4	511-008	Hex Nut, 3/8-16	_____
			ADD to complete Furrow Shank Asby	
6	2	516-520	Flat-Mount Shovel, 9"	_____
			Parts Assembly w/ related fasteners	
	1	99002FA	Bag of Shear Bolts - includes (6) of 516-518 & (6) 511-051	_____

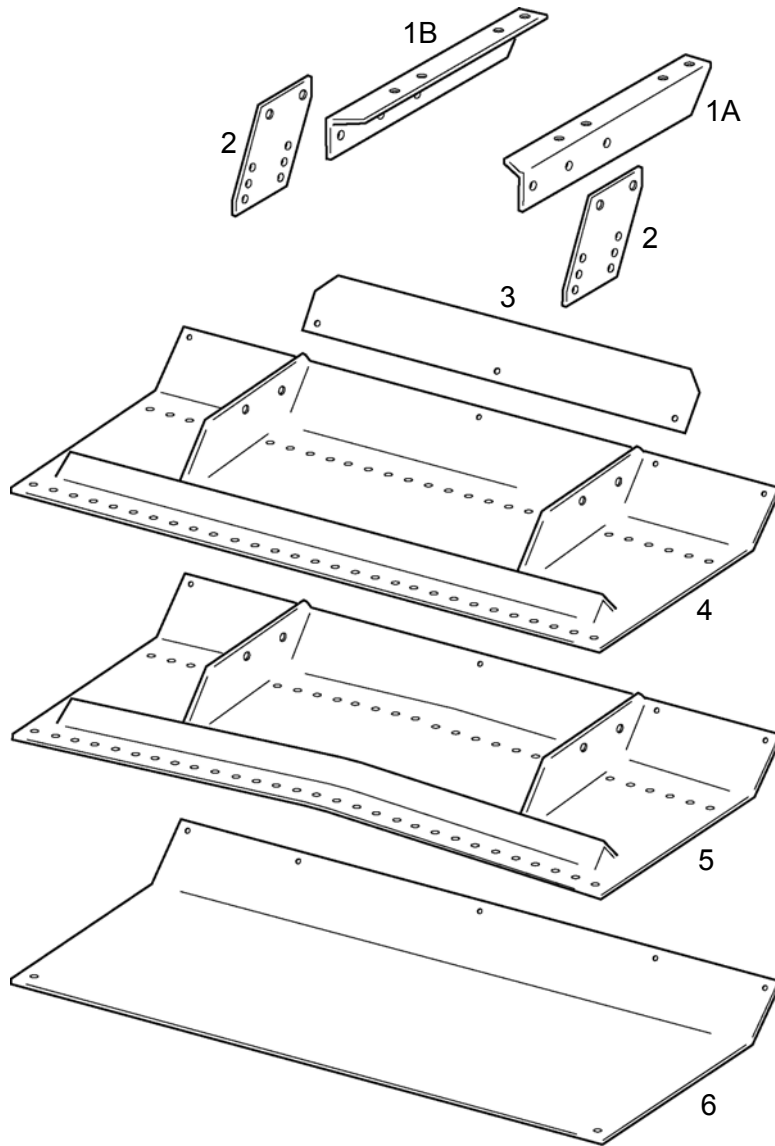
PARTS LIST



Ref	Quan	Part No	Description	Price
	2	20114	Disk, 14", Shank & Clamp Asby for 2sq - incl Ref 1 thru 8	_____
1	2	518-423	D5-Plate, 2 x 1-1/4	_____
	6	511-121	U-Bolt, 1/2-13 x 2sq x 3	_____
	4	510-714	U-Bolt, 1/2-13 x 1-1/4rd x 2-1/2	_____
	20	511-051	Hex Nut, 1/2-13	_____
2	2	516-764	Shank	_____
3	4	511-179	[Spacer] Flat Washer, 5/8 SAE	_____
4	4	518-845	Hub Flange	_____
	12	516-770	Hex Capscrew, 1/4-20 x 7/8 Grade 8	_____
	12	511-241	Hex Nut, 1/4-20 Nylock	_____
5	4	516-768	Ball Bearing, 204RY2, John Deere AA21480	_____
6	2	516-769	Disk Blade, 14"	_____
7	2	518-847	Dust Cover	_____
8	2	510-744	[Bearing Bolt] Hex Capscrew, 5/8-11 x 3-1/4	_____
	2	511-142	Hex Nut, 5/8-11	_____
			Parts assemblies w/ related fasteners	
9	2	20125R	D5-Clamp Asby, 2sq x 1-1/4rd	_____
10	2	518-894	Disk & Hub Asby	_____
11	2	19114FA	Parts for Final Assembly	_____
12	1	519-214	Complete Hub Asby	_____



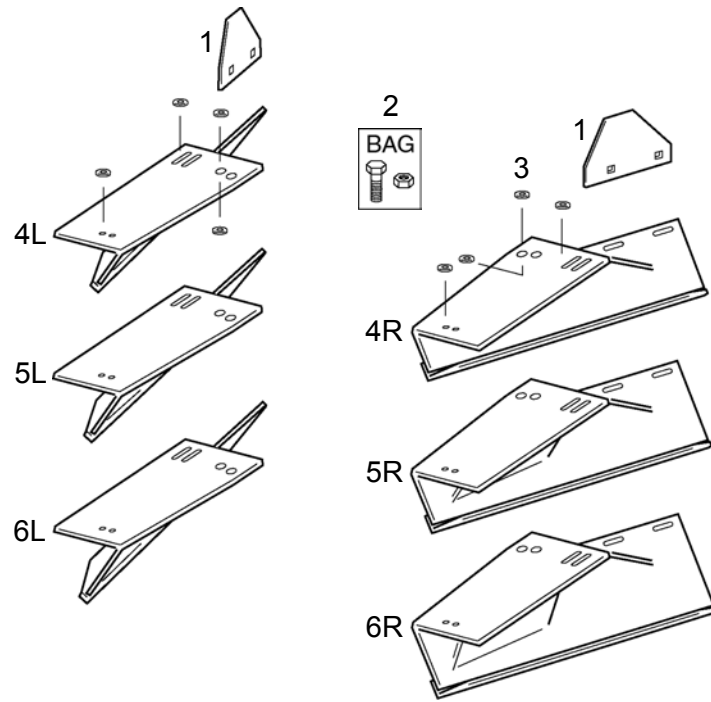
PARTS LIST



PARTS LIST

Ref	Quan	Part No	Description	Price
	1	20415	Shaper Pan Asby - includes ref nos 1 thru 4	_____
1A	1	516-483	Mounting Bracket, Side A	_____
1B	1	516-484	Mounting Bracket, Side B	_____
	4	511-121	U-Bolt, 1/2-13 x 2sq x 3	_____
	8	511-051	Hex Nut, 1/2-13	_____
2	2	517-274	Shaper Pan Leg	_____
	4	510-996	Hex Capscrew, 5/8-11 x 1-1/4	_____
	4	511-142	Hex Nut, 5/8-11	_____
3	1	517-278	Front Shield	_____
	3	511-101	Hex Capscrew, 3/8-16 x 1	_____
	3	511-194	Flat Washer, 3/8 USS	_____
	3	511-008	Hex Nut, 3/8-16	_____
4	1	521-160	Shaper Pan, 60"	_____
	4	511-071	Hex Capscrew, 1/2-13 x 1	_____
	4	511-051	Hex Nut, 1/2-13	_____
			OPTION	
	1	17281A	Crowned Shaper Pan Pkg - includes Ref 5, replaces Ref 4	_____
5	1	525-360	Crowned Shaper Pan, 60"	_____
			OPTION	
			Shaper Pan Poly Liner	
6	1	521-460	Shaper Pan Poly Liner, 60"	_____
6	1	523-560	Crowned Pan Poly Liner, 60"	_____

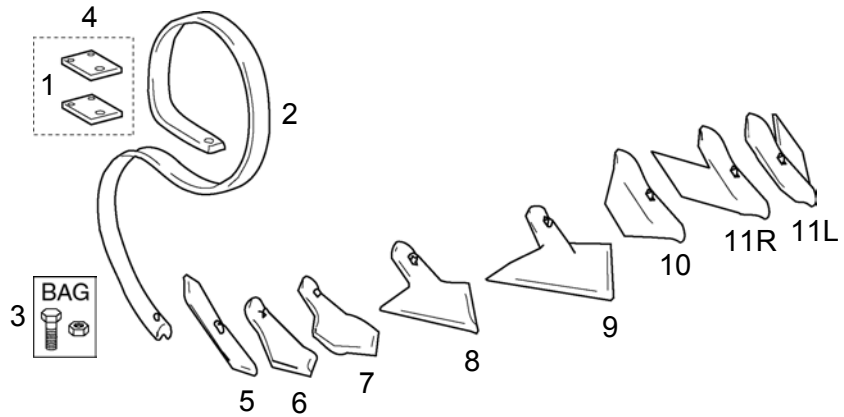
PARTS LIST



PARTS LIST

Ref	Quan	Part No	Description	Price
	1	19221	Bed Height Completing Pkg - includes Ref 1 thru 3	_____
1	2	518-617	Adjustable Side Shield	_____
	4	510-750	Carriage Bolt, 3/8-16 x 1	_____
	4	511-194	Flat Washer, 3/8 USS	_____
	4	511-008	Hex Nut, 3/8-16	_____
2	1		Bag of Fasteners - to install Bed Height Pkg	_____
	6	511-197	Hex Capscrew, 3/8-16 x 1-1/4 - included	_____
	2	511-194	Flat Washer, 3/8 USS - included	_____
	6	511-108	Hex Nut, 3/8-16 - included	_____
3	8	511-343	Heavy Washer, 3/8 x 1-1/2 OD - included	_____
ADD (1) Bed Height Package to complete Shaper Pan Asby				
	1	19104	Bed Height Pkg for 4" bed height - includes Ref 4L, 4R	_____
4L	1	518-554	Furrow Shaper, 4" Left	_____
4R	1	518-564	Furrow Shaper, 4" Right	_____
	1	19105	Bed Height Pkg for 5" bed height - includes Ref 5L, 5R	_____
5L	1	518-555	Furrow Shaper, 5" Left	_____
5R	1	518-565	Furrow Shaper, 5" Right	_____
	1	19106	Bed Height Pkg for 6" bed height - includes Ref 6L, 7R	_____
6L	1	518-556	Furrow Shaper, 6" Left	_____
6R	1	518-566	Furrow Shaper, 6" Right	_____

PARTS LIST



Ref	Quan	Part No	Description	Price
			OPTION	
	5-7	20115	S-Tine, HD 7/16 x 1-1/4, & Clamp for 2sq on 1721-D quantity depends on application - parts for each listed below	
	1	20115	S-Tine, HD 7/16 x 1-1/4, & Clamp for 2sq - includes Ref 1 thru 3	_____
1	2	517-605	Tine Clamp Plate	_____
	1	510-751	Hex Capscrew, 1/2-13 x 3-3/4	_____
	1	511-051	Hex Nut, 1/2-13	_____
	2	510-719	Hex Capscrew, 3/8-16 x 3-3/4	_____
	2	511-239	Hex NyLock Nut, 3/8-16	_____
2	1	511-550	S-Tine, HD 7/16 x 1-1/4	_____
3	1	99013FA	Bag of Fasteners - to install Shovel	_____
	1	510-798	Plow Bolt, 3/8-16 x 1-1/2 - included	_____
	1	511-194	Flat Washer, 3/8 USS - included	_____
	1	511-008	Hex Nut, 3/8-16 - included	_____
			Parts assembly w/ related fasteners	
4	1	20130	Tine Clamp Asby for 2sq	_____
			ADD (as needed) Shovel(s) to complete each S-Tine Asby	
5	1	511-555	Reversible Point, HD	_____
6	1	511-556	Shovel, 2-1/4 HD	_____
7	1	511-557	Shovel, 4 HD	_____
8	1	512-558	Shovel, 7 HD	_____
9	1	514-559	Shovel, 9 HD	_____
10	1	514-094	ShaperShovel	_____
11L	1	516-398	ShaperShovel, Left	_____
11R	1	516-399	ShaperShovel, Right	_____