



**BUCKEYE TRACTOR CO**

## **Parts List**

**Model 1921-D  
BED SHAPER**

Version C08 • Serial No. 4460900 • Effective 10-9-07

Serial No: \_\_\_\_\_ Date Received: \_\_\_ / \_\_\_ / \_\_\_

Purchased From: \_\_\_\_\_

Invoice No: \_\_\_\_\_



**BUCKEYE TRACTOR CO**

**P.O.Box 97 • 11313 Slabtown Road • Columbus Grove, Ohio 45830 USA  
call 419-659-2162 • fax 419-659-2082**

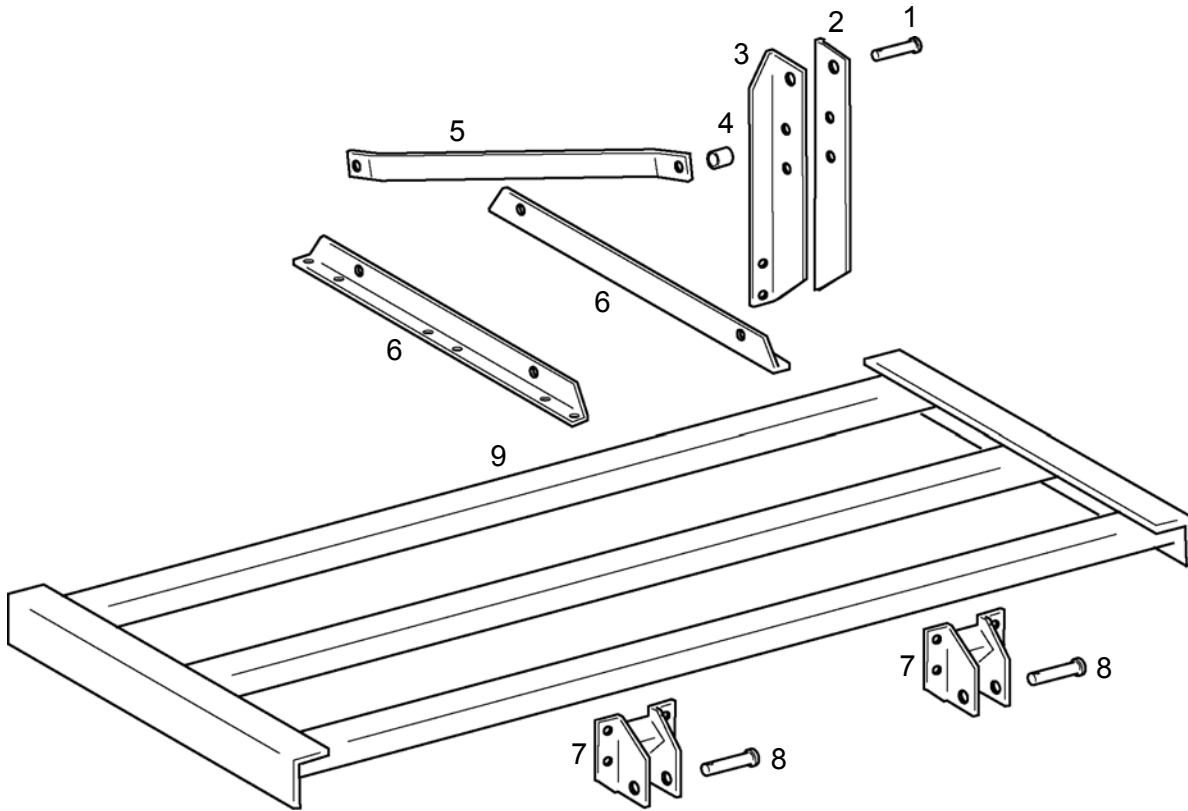
**buckeyetractor@bright.net • www.buctraco.com**

***YOUR PURCHASE INCLUDES COMPLETE AFTER-SALE SERVICE***

## GALLERY



# PARTS LIST



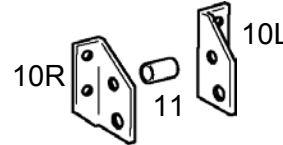
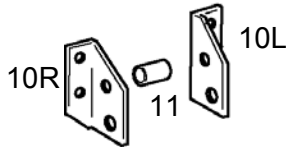
Ref	Quan	Part No	Description	Price
<b>21503</b>				
<b>Toolbar Hitch - includes Ref 1 thru 8</b>				
1	1	517-512	Hitch Pin, 3/4 x 3-1/4	_____
	1	511-354	Linch Pin, 1/4	_____
2	1	516-111	Top Hitch Bracket, Left	_____
3	1	516-112	Top Hitch Bracket, Right	_____
	2	511-121	U-Bolt, 1/2-13 x 2sq x 3	_____
	4	511-051	Hex Nut, 1/2-13	_____
4	1	516-469	Spacer, 1od x 5/8id x 1-1/4	_____
	1	510-744	Hex Capscrew, 5/8-11 x 3-1/4	_____
	1	511-142	Hex Nut, 5/8-11	_____
5	2	516-615	Hitch Bracket Brace	_____
	2	510-996	Hex Capscrew, 5/8-11 x 1-1/4	_____
	2	511-142	Hex Nut, 5/8-11	_____
6	2	516-617	Hitch Bar, 3-bar	_____
	6	511-121	U-bolt, 1/2-13 x 2sq x 3	_____
	12	511-051	Hex Nut, 1/2-13	_____

# PARTS LIST

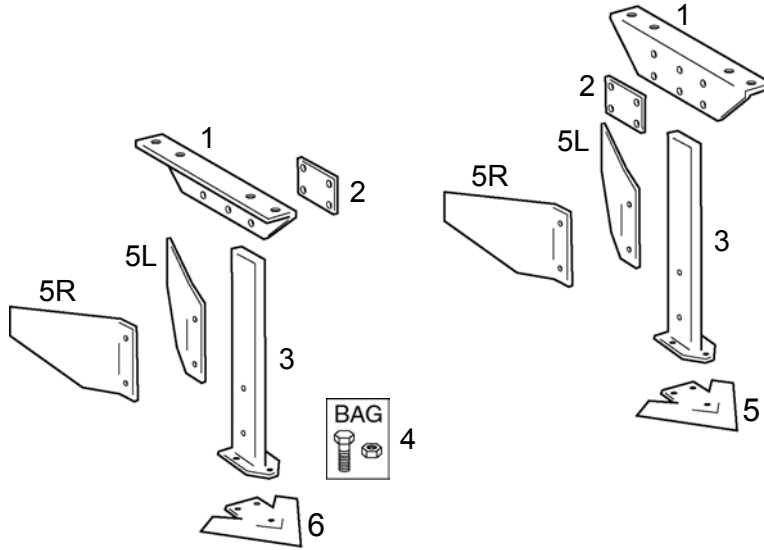
Ref	Quan	Part No	Description	Price
7	2	518-039	Lower Hitch Bracket	_____
	4	511-121	U-Bolt, 1/2-13 x 2sq x 3	_____
	8	511-051	Hex Nut, 1/2-13	_____
8	2	517-514	Hitch Pin, 7/8 x 3-1/4	_____
	2	511-354	Linch Pin, 1/4	_____
<b>ADD (1) Toolbar Frame to Toolbar Hitch</b>				
9	1	20033-072	Toolbar Frame, 2sq x 3-bar x 72 x 3/16w - standard 0n 1921-D	_____

## EARLY PARTS

10L	2	516-109	Lower Hitch Bracket, Left	_____
10R	2	516-110	Lower Hitch Bracket, Right	_____
11	2	512-425	Bushing, 1" OD x 5/8 ID x 2	_____

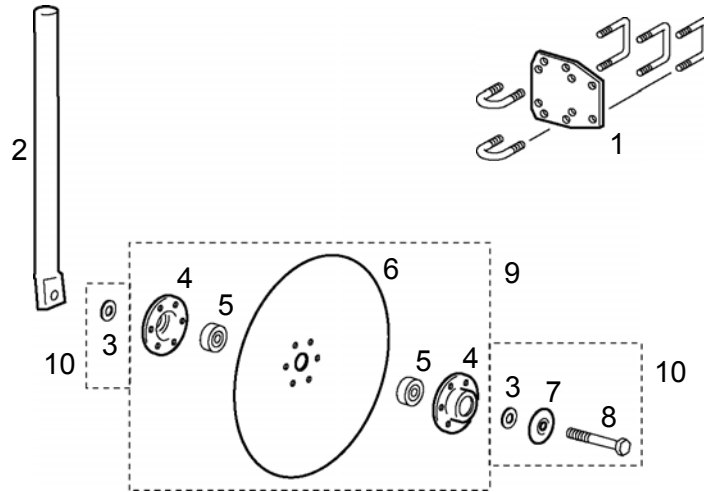


# PARTS LIST

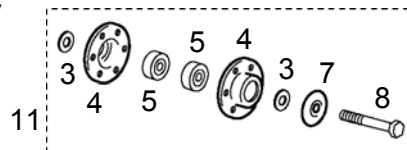


Ref	Quan	Part No	Description	Price
	<b>1</b>	<b>18473</b>	<b>Furrow Shank Set - includes Ref 1 thru 5</b>	_____
1	2	518-471	Shank Half Bracket, 2-Bar	_____
	4	511-121	U-bolt, 1/2-13 x 2sq x 3	_____
	8	511-051	Hex Nut, 1/2-13	_____
2	2	518-472	Clamp Plate	_____
	8	511-065	Hex Capscrew, 1/2-13 x 2-1/2	_____
	8	511-051	Hex Nut, 1/2-13	_____
3	2	518-470	Furrow Shank, 1 x 2-1/2	_____
4	2	99021FA	Bag of Fasteners - to install Flat-Mount Shovel	_____
	6	511-116	Hex Capscrew, 5/16-18 x 1 - included	_____
	6	511-010	Hex Nut, 5/16-18 - included	_____
5L	2	516-460	Furrow Wing, Left	_____
5R	2	516-461	Furrow Wing, Right	_____
	4	511-099	Hex Capscrew, 3/8-16 x 1-3/4	_____
	4	511-008	Hex Nut, 3/8-16	_____
			<b>ADD (2) Shovels to complete Furrow Shank Asby</b>	
6	2	516-520	Flat-Mount Shovel, 9"	_____

# PARTS LIST

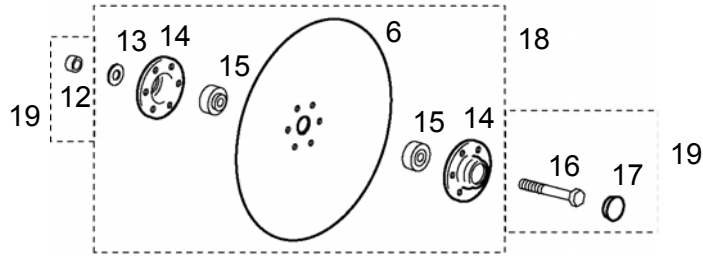


Ref	Quan	Part No	Description	Price
1	2	<b>18500</b>	<b>D5-Clamp Asby, 2sq x 1-1/4rd - includes Ref 1</b>	_____
	2	518-423	D5-Plate, 2 x 1-1/4	_____
	6	511-121	U-Bolt, 1/2-13 x 2sq x 3	_____
	4	510-718	U-Bolt, 1/2-13 x 1-1/2rd x 2-3/4	_____
	20	511-051	Hex Nut, 1/2-13	_____
2	2	<b>19114</b>	<b>Disk, 14" &amp; Shank Asby - includes Ref 2 thru 8</b>	_____
	2	516-764	Shank	_____
	3	511-179	[Spacer] Flat Washer, 5/8 SAE	_____
	4	518-845	Hub Flange	_____
	12	516-770	Hex Capscrew, 1/4-20 x 7/8 Grade 8	_____
	12	511-241	Hex Nut, 1/4-20 Nylock	_____
	5	516-768	Ball Bearing, 204RY2, John Deere AA21480	_____
	6	516-769	Disk Blade, 14"	_____
	7	518-847	Dust Cover	_____
	8	510-744	[Bearing Bolt] Hex Capscrew, 5/8-11 x 3-1/4	_____
2	511-142	Hex Nut, 5/8-11	_____	
9	2	518-894	<b>Parts assemblies w/ related fasteners</b> Disk & Hub Asby	_____
	2	19114FA	Parts for Final Assembly	_____
	2	519-214	Complete Hub Asby	_____

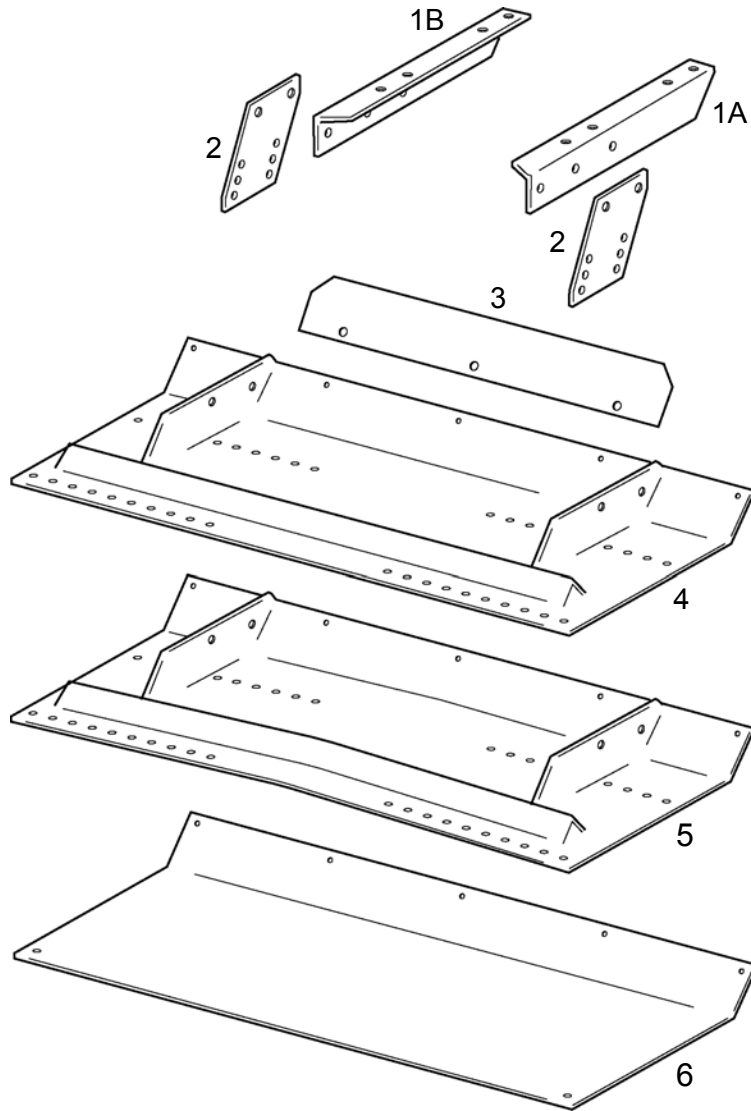


# PARTS LIST

Ref	Quan	Part No	Description	Price
<b>EARLY PARTS</b>				
		<b>16093</b>	<b>Disk, 14" &amp; Shank Asby</b>	
12	2	516-765	Spacer, 1" OD x 5/8 ID x 1/2	_____
13	2	511-191	[Bearing Shield] Flat Washer, 9/16 USS	_____
14	4	517-869	Hub Flange	_____
15	4	516-768	Ball Bearing, 204RY2, John Deere AA21480	_____
16	2	511-029	[Bearing Bolt] Hex Capscrew, 5/8-11 x 3-1/2	_____
17	2	517-870	Dust Cap	_____
<b>Parts assemblies w/ related fasteners</b>				
18	2	518-894	Disk & Hub Asby	_____
19	2	16093FA	Parts for Final Assembly	_____



# PARTS LIST

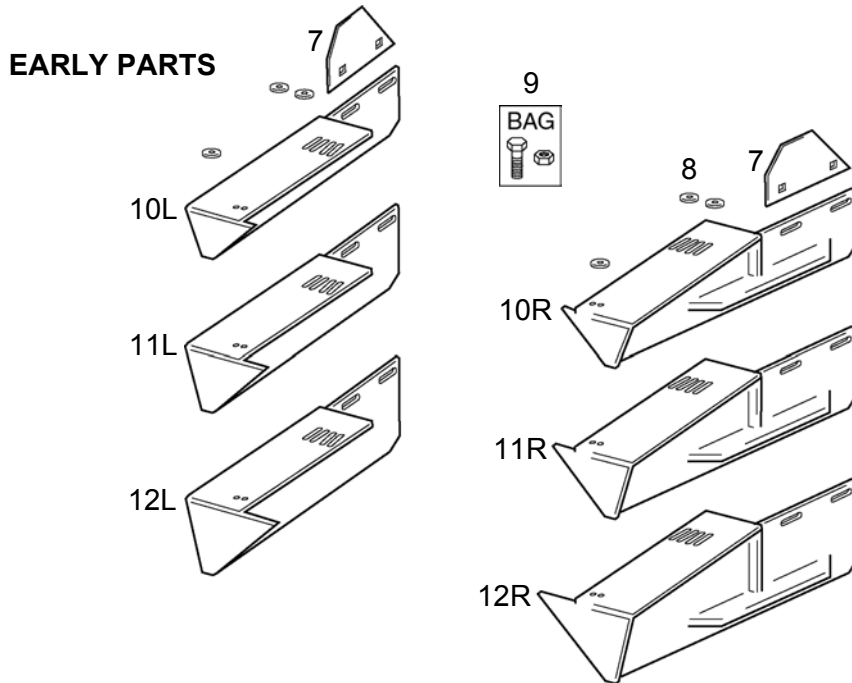
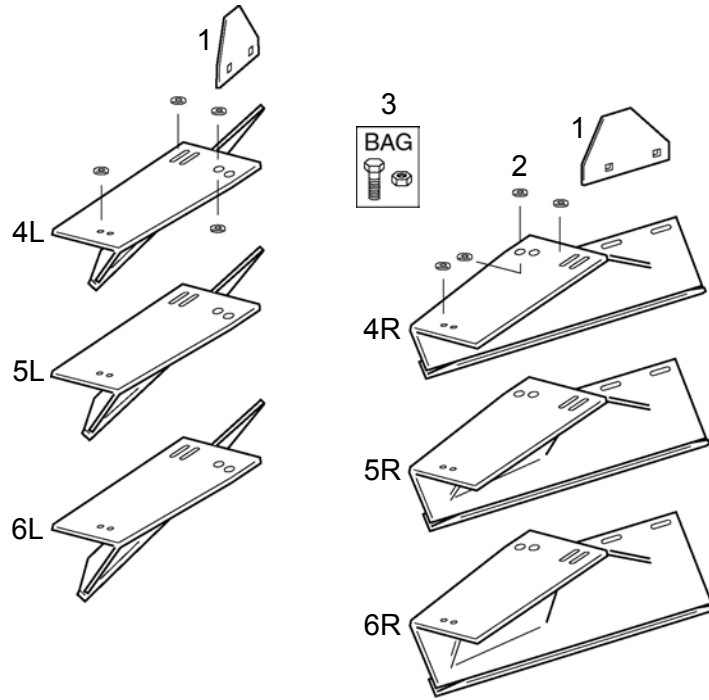




# PARTS LIST

Ref	Quan	Part No	Description	Price
	<b>1</b>	<b>17270</b>	<b>Shaper Pan Asby - includes Ref 1 thru 4</b>	_____
1A	1	516-483	Mounting Bracket, Side A	_____
1B	1	516-484	Mounting Bracket, Side B	_____
	4	511-121	U-Bolt, 1/2-13 x 2sq x 3	_____
	8	511-051	Hex Nut, 1/2-13	_____
2	2	517-274	Shaper Pan Leg	_____
	4	510-996	Hex Capscrew, 5/8-11 x 1-1/4	_____
	4	511-142	Hex Nut, 5/8-11	_____
3	1	517-278	Front Shield	_____
	3	511-101	Hex Capscrew, 3/8-16 x 1	_____
	3	511-194	Flat Washer, 3/8 SAE	_____
	3	511-008	Hex Nut, 3/8-16	_____
4	1	517-271	Shaper Pan, 60"	_____
	4	511-071	Hex Capscrew, 1/2-13 x 1	_____
	4	511-051	Hex Nut, 1/2-13	_____
			<b>OPTION</b>	
	<b>1</b>	<b>17281A</b>	<b>Crowned Shaper Pan Pkg - includes Ref 5, replaces Ref 4</b>	_____
5	1	517-582	Crowned Shaper Pan, 60"	_____
			<b>OPTION</b>	
			<b>Shaper Pan Poly Liner</b>	
6	1	521-460	Shaper Pan Poly Liner, 60"	_____
6	1	523-560	Shaper Pan Crowned Poly Liner, 60"	_____

# PARTS LIST



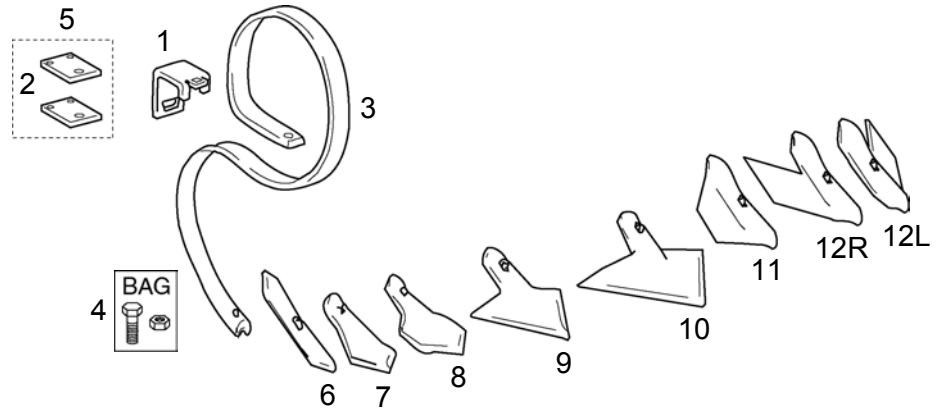
# PARTS LIST

Ref	Quan	Part No	Description	Price
	<b>1</b>	<b>19221</b>	<b>Bed Height Completing Pkg - includes Ref 1 thru 3</b>	_____
1	2	518-617	Adjustable Side Shield	_____
	4	510-750	Carriage Bolt, 3/8-16 x 1	_____
	4	511-194	Flat Washer, 3/8 USS	_____
	4	511-008	Hex Nut, 3/8-16	_____
2	1		Bag of Fasteners - to install bed Height Pkg	_____
	6	511-197	Hex Capscrew, 3/8-16 x 1-1/4 - included	_____
	2	511-194	Flat Washer, 3/8 USS - included	_____
	6	511-108	Hex Nut, 3/8-16 - included	_____
3	8	511-343	Heavy Washer, 3/8 x 1-1/2 OD - included	_____
<b>ADD (1) Bed Height Package to complete Shaper Pan Asby</b>				
	<b>1</b>	<b>19104</b>	<b>Bed Height Pkg for 4" bed height - includes Ref 4L, 4R</b>	_____
4L	1	518-554	Furrow Shaper, 4" Left	_____
4R	1	518-564	Furrow Shaper, 4" Right	_____
	<b>1</b>	<b>19105</b>	<b>Bed Height Pkg for 5" bed height - includes Ref 5L, 5R</b>	_____
5L	1	518-555	Furrow Shaper, 5" Left	_____
5R	1	518-565	Furrow Shaper, 5" Right	_____
	<b>1</b>	<b>19106</b>	<b>Bed Height Pkg for 6" bed height - includes Ref 6L, 6R</b>	_____
6L	1	518-556	Furrow Shaper, 6" Left	_____
6R	1	518-566	Furrow Shaper, 6" Right	_____

# PARTS LIST

Ref	Quan	Part No	Description	Price
<b>EARLY PARTS - retrofit Ref 10, 11 or 12 with current parts</b>				
	<b>1</b>	<b>18821</b>	<b>Bed Height Completing Pkg - includes Ref 1 thru 3</b>	_____
7	2	517-301	Adjustable Side Shield	_____
	4	510-750	Carriage Bolt, 3/8-16 x 1	_____
	4	511-194	Flat Washer, 3/8 USS	_____
	4	511-008	Hex Nut, 3/8-16	_____
8	6	511-343	Heavy Washer, 3/8 x 1-1/2od	_____
9	1		Bag of Fasteners - to install Bed Height Pkg	_____
	6	511-101	Hex Capscrew, 3/8-16 x 1	_____
	4	511-194	Flat Washer, 3/8 USS	_____
	6	511108	Hex Nut, 3/8-16	_____
	<b>1</b>	<b>18804</b>	<b>Bed Height Pkg, 4" - includes Ref 10L, 10R</b>	_____
10L	1	517-302	Furrow Shaper, 4" Left	_____
10R	1	517-303	Furrow Shaper, 4" Right	_____
	<b>1</b>	<b>18805</b>	<b>Bed Height Pkg, 5" - includes Ref 11L, 11R</b>	_____
11L	1	517-973	Furrow Shaper, 5" Left	_____
11R	1	517-974	Furrow Shaper, 5" Right	_____
	<b>1</b>	<b>18806</b>	<b>Bed Height Pkg, 6" - includes Ref 12L, 12R</b>	_____
12L	1	517-396	Furrow Shaper, 6" Left	_____
12R	1	517-397	Furrow Shaper, 6" Right	_____

# PARTS LIST



Ref	Quan	Part No	Description	Price
	<b>5-7</b>	<b>13554</b>	<b>OPTION</b> <b>S-Tine, HD 7/16 x 1-1/4, &amp; Clamp for 2sq on 1921-D</b> quantity depends on application - parts for each listed below	
	<b>1</b>	<b>13554</b>	<b>S-Tine, HD 7/16 x 1-1/4, &amp; Clamp for 2sq - incl Ref 1 thru 4</b>	_____
1	1	511-552	Tine Clamp - alternate with 517-605 and 20130	_____
	1	510-751	Hex Capscrew, 1/2-13 x 3-1/2	_____
	1	511-184	Flat Washer 1/2 SAE	_____
	1	511-051	Hex Nut, 1/2-13	_____
2	2	517-605	Tine Clamp Plate - alternate to 511-552	_____
	1	510-751	Hex Capscrew, 1/2-13 x 3-3/4	_____
	1	511-051	Hex Nut, 1/2-13	_____
	2	510-719	Hex Capscrew, 3/8-16 x 3-3/4	_____
	2	511-239	Hex NyLock Nut, 3/8-16	_____
3	1	512-843	S-Tine, HC 7/16 x 1-1/4	_____
4	1	99013FA	Bag of Fasteners - to install Shovel	_____
	1	510-798	Plow Bolt, 3/8-16 x 1-1/2 - included	_____
	1	511-194	Flat Washer, 3/8 USS - included	_____
	1	511-008	Hex Nut, 3/8-16 - included	_____
			<b>Parts assembly w/ related fasteners</b>	
5	1	20130	Tine Clamp Asby for 2sq - alternate to 511-552	_____

## PARTS LIST

Ref	Quan	Part No	Description	Price
			<b>ADD (as needed) Shovel(s) to complete each S-Tine Asby</b>	
6	1	511-555	Reversible Point, HD	_____
7	1	511-556	Shovel, 2-1/4 HD	_____
8	1	511-557	Shovel, 4 HD	_____
9	1	512-558	Shovel, 7 HD	_____
10	1	514-559	Shovel, 9 HD	_____
11	1	514-094	ShaperShovel	_____
12L	1	516-398	ShaperShovel, Left	_____
12R	1	516-399	ShaperShovel, Right	_____