



BUCKEYE TRACTOR CO
Operation Manual & Parts List

Model 2121-D
BED SHAPER

Version C07 • Serial No. 4401394 • Effective 4-13-07

Serial No: _____ Date Received: ___ / ___ / ___

Purchased From: _____

Order / Invoice No: _____

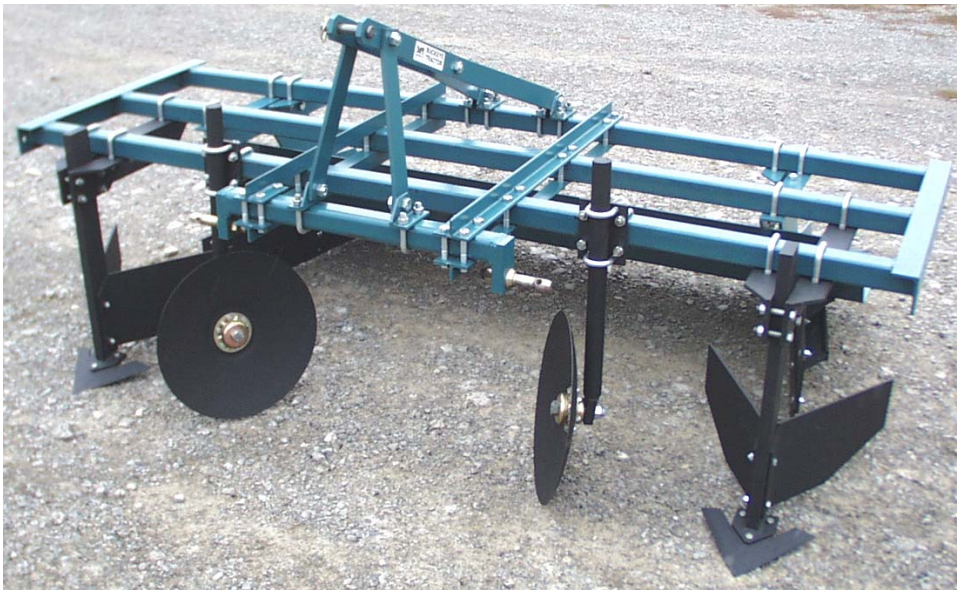


BUCKEYE TRACTOR CO

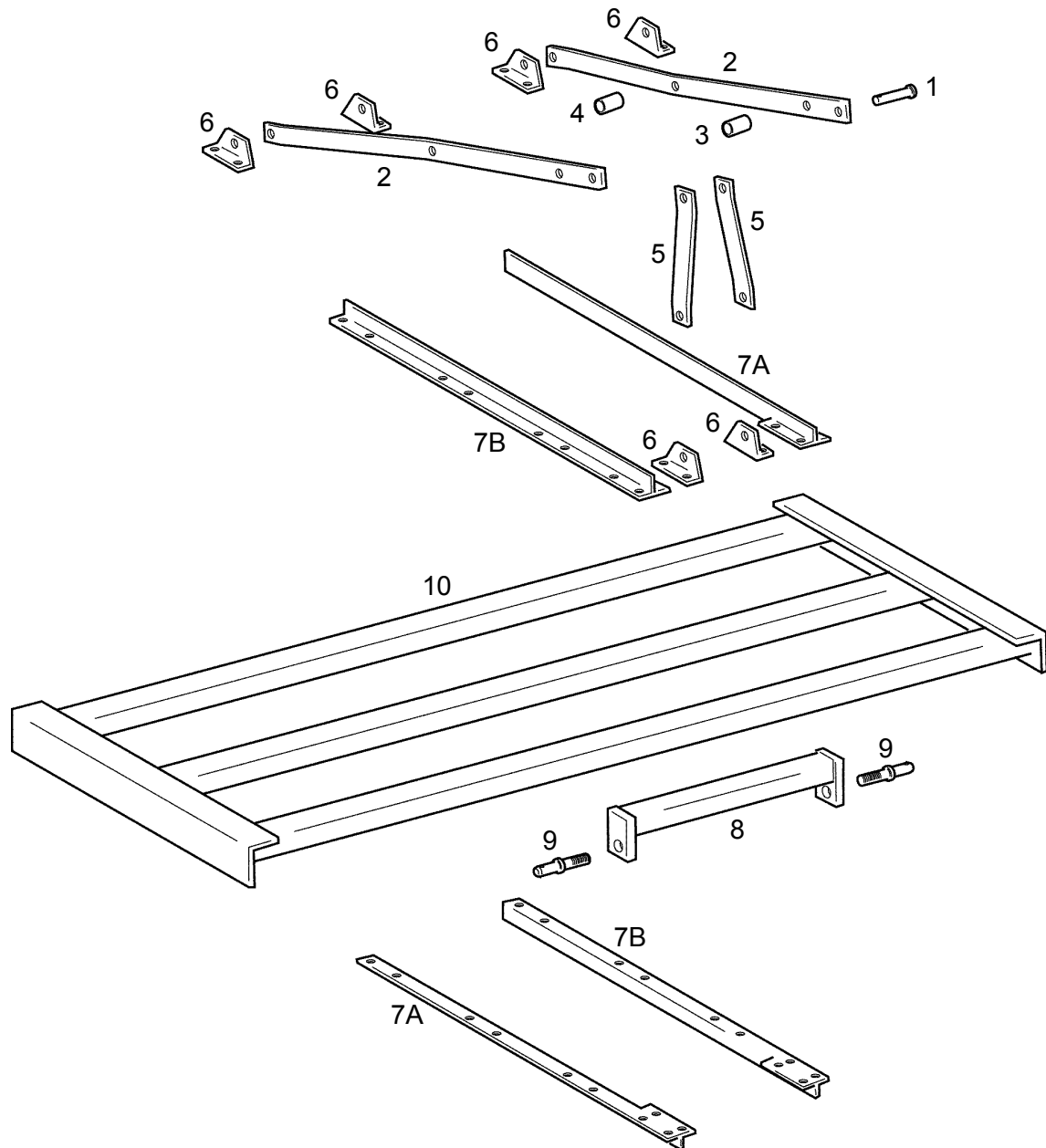
P.O.Box 97 • 11313 Slabtown Road • Columbus Grove, Ohio 45830 USA
call 419-659-2162 • fax 419-659-2082
buckeyetractor@bright.net • www.buctraco.com

YOUR PURCHASE INCLUDES COMPLETE AFTER-SALE SERVICE

GALLERY



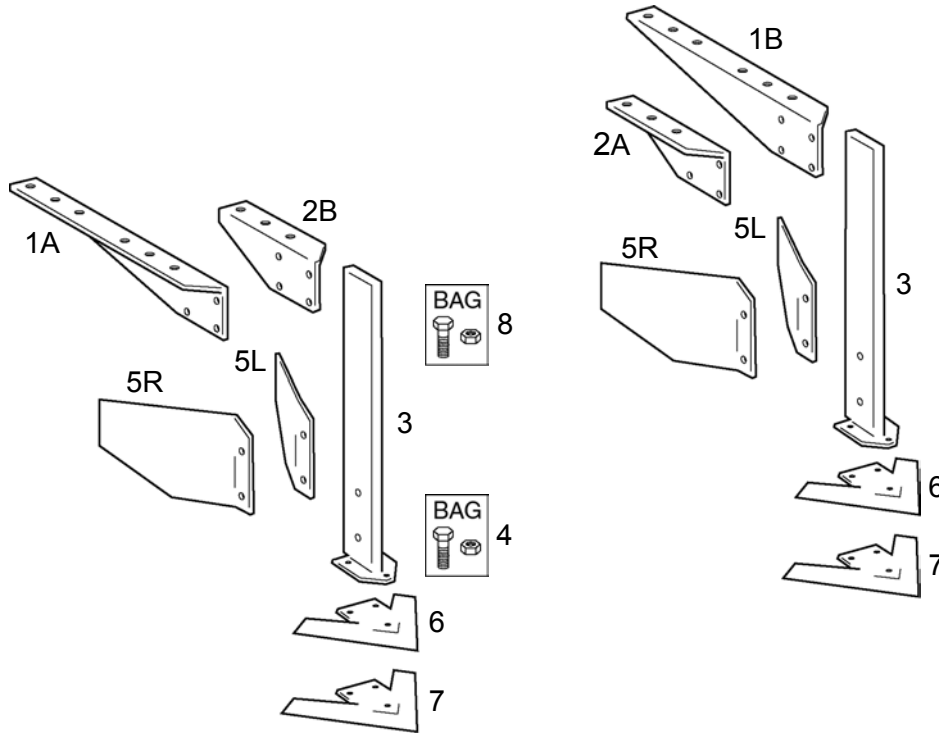
PARTS LIST



PARTS LIST

Ref	Quan	Part No	Description	Price
	1	21513	Toolbar Hitch - includes Ref 1 thru 9	_____
1	1	517-512	Hitch Pin, 3/4 x 3-1/4	_____
	1	511-354	Linch Pin, 1/4	_____
2	2	516-477	Top Hitch Bar	_____
	2	511-143	Hex Capscrew, 5/8-11 x 1-3/4	_____
	1	511-027	Hex Capscrew, 5/8-11 x 4-1/2	_____
	3	511-142	Hex Nut, 5/8-11	_____
3	1	512-425	Bushing, 1" OD x 5/8 ID x 2	_____
4	1	512-425	Bushing, 1" OD x 5/8 ID x 2	_____
	1	511-029	Hex Capscrew, 5/8-11 x 3-1/2	_____
	1	511-214	Hex Nut, 5/8-11 Jam	_____
5	2	516-476	A-Frame Support	_____
	2	510-996	Hex Capscrew, 5/8-11 x 1-1/4	_____
	2	511-142	Hex Nut, 5/8-11	_____
6	6	511-595	Anchor Bracket	_____
	6	511-121	U-Bolt, 1/2-13 x 2sq x 3	_____
	12	511-051	Hex Nut, 1/2-13	_____
7A	2	515-427	Hitch Clamp Bar, 3-bar Side A	_____
7B	2	515-425	Hitch Clamp Bar, 3-bar Side B	_____
	12	510-786	Hex Capscrew, 1/2-13 x 3-1/4	_____
	12	511-051	Hex Nut, 1/2-13	_____
8	1	515-847	Lower Hitch Crossbar	_____
	8	510-786	Hex Capscrew, 1/2-13 x 3-1/4	_____
	8	511-051	Hex Nut, 1/2-13	_____
9	2	511-652	Anchor Pin	_____
	2	511-243	Hex Nut, 7/8-14	_____
	2	511-362	Linch Pin, 7/16	_____
			ADD (1) Toolbar Frame to Toolbar Hitch	
10	1	20033-084	Toolbar Frame, 2sq x 3-bar x 84 x 1/4w - standard on 2121-D	_____

PARTS LIST



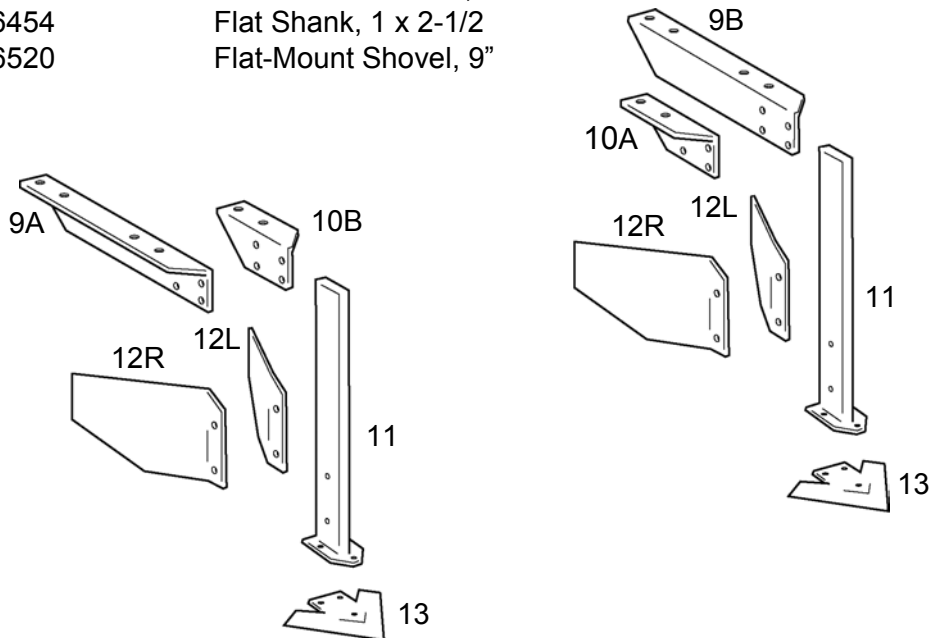
Ref	Quan	Part No	Description	Price
	1	17465	Furrow Shank Asby, 1-1/4 x 3, L&R for 2-bar x 2sq - includes Ref 1 thru 4	_____
1A	1	517-615	Shank Half Bracket, 2-bar Side A	_____
1B	1	517-616	Shank Half Bracket, 2-Bar Side B	_____
	4	511-121	U-bolt, 1/2-13 x 2sq x 3	_____
	8	511-051	Hex Nut, 1/2-13	_____
2A	1	517-613	Shank Half Bracket, Side A	_____
2B	1	517-614	Shank Half Bracket, Side B	_____
	2	511-121	U-bolt, 1/2-13 x 2sq x 3	_____
	4	511-051	Hex Nut, 1/2-13	_____
3	2	517-526	Furrow Shank, 1-1/4 x 3	_____
	4	516-518	Shear Bolt, 1/2-13 x 2-1/2	_____
	4	511-065	Hex Capscrew, 1/2-13 x 2-1/2	_____
	8	511-051	Hex Nut, 1/2-13	_____
4	1	99022FA	Bag of Fasteners - to install Flat-Mount Shovel	_____
	6	511-101	Hex Capscrew, 3/8-16 x 1 - included	_____
	6	511-008	Hex Nut, 3/8-16 - included	_____

PARTS LIST

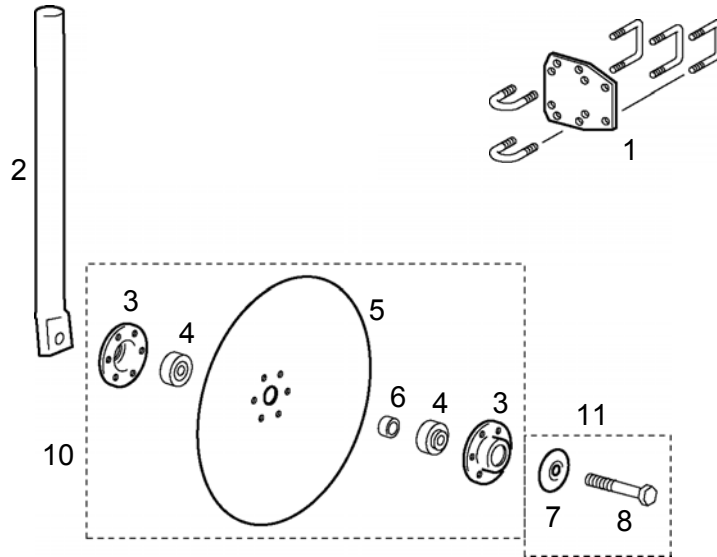
Ref	Quan	Part No	Description	Price
5L	2	517-556	Furrow Wing, Left	_____
5R	2	517-557	Furrow Wing, Right	_____
	4	511-066	Hex Capscrew, 1/2-12 x 2-1/4	_____
	4	511-051	Hex Nut, 1/2-13	_____
ADD as needed to complete Furrow Shank Asby				
	2	517-817	Flat-Mount Shovel, 7"	_____
6	2	517-836	Flat-Mount Shovel, 10"	_____
7	2	518-837	Flat-Mount Shovel, 12"	_____
Parts assembly w/ related fasteners				
8	1	99002FA	Bag of Shear Bolts	_____
	6	516-518	Shear Bolts, 1/2-13 x 2-1/2 - included	_____
	6	511-051	Hex Nut, 1/2-13 - included	_____

EARLY PARTS

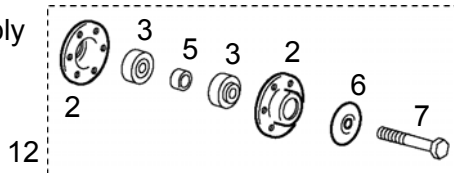
		16415	Furrow Shank Asby, 1 x 2-1/2, Pair, 2-bar x 2sq	
6A	1	16479	Shank Half Bracket, 2-bar Side A	_____
6B	1	16480	Shank Half Bracket, 2-bar Side B	_____
7A	1	16481	Shank Half Bracket, Side A	_____
7B	1	16482	Shank Half Bracket, Side B	_____
8	2	16454	Flat Shank, 1 x 2-1/2	_____
9	2	16520	Flat-Mount Shovel, 9"	_____



PARTS LIST

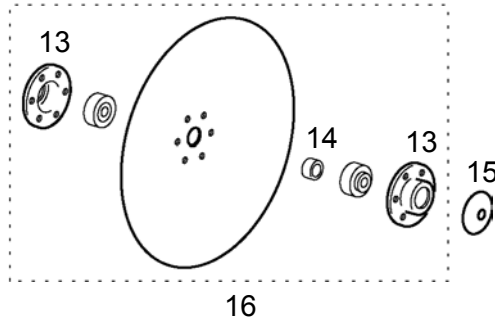


Ref	Quan	Part No	Description	Price
	2	18650	D5-Clamp Asby, 2sq x 1-1/2rd - includes Ref 1	_____
1	2	518-428	D5-Plate, 2 x 1-1/2	_____
	6	511-121	U-Bolt, 1/2-13 x 2sq x 3	_____
	4	510-718	U-Bolt, 1/2-13 x 1-1/2rd x 2-3/4	_____
	20	511-051	Hex Nut, 1/2-13	_____
	2	19116	Disk, 16", Shank & Clamp for 2sq - includes Ref 1 thru 8	_____
2	2	517-837	Shank	_____
3	4	518-846	Hub Flange	_____
	12	510-709	Hex Capscrew, 5/16-18 x 7/8	_____
	12	511-240	Hex Nut, 5/16-18 Nylock	_____
4	4	517-919	Ball Bearing, 205RVA, John Deere A27002	_____
5	2	517-910	Disk Blade, 16"	_____
6	2	518-849	Spacer, 1-1/8 OD x 3/4 ID x 0.350	_____
7	2	518-848	Dust Cover	_____
8	2	510-975	[Bearing Bolt] Hex Capscrew, 3/4-10 x 3-3/4	_____
	2	511-172	Hex Nut, 3/4-10	_____
			Parts assemblies w/ related fasteners	
9	2	519-296	Disk & Hub Asby	_____
10	2	19116FA	Bag of Parts for Final Assembly	_____
11	2	519-216	Complete Hub Asby	_____

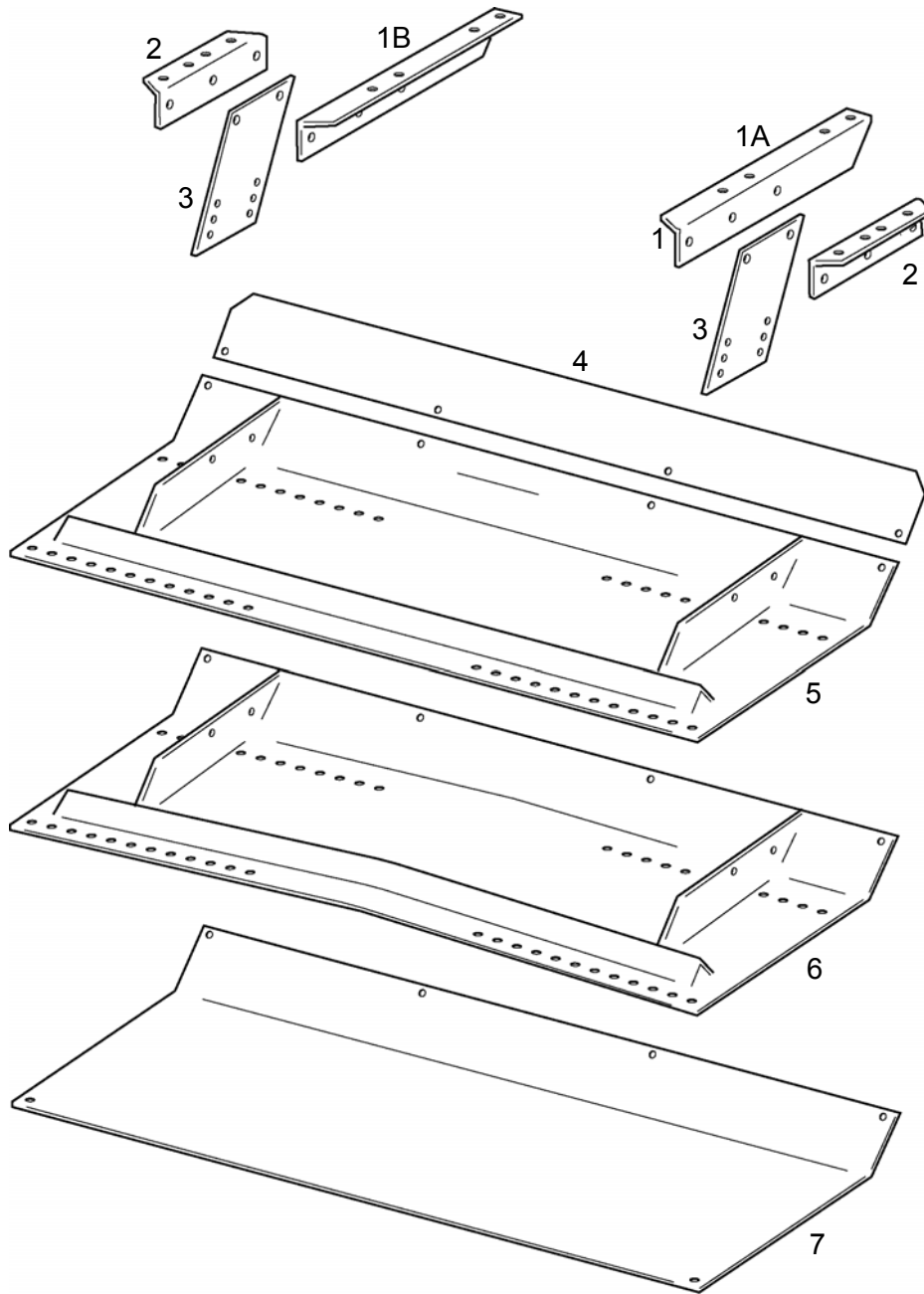


PARTS LIST

Ref	Quan	Part No	Description	Price
EARLY PARTS				
		17795	Disk, 16" & Shank Asby	
13	4	517-912	Hub Flange	_____
14	2	517-907	Spacer, 1-1/8od x 3/4id x 0.420	_____
15	2	517-915	Dust Cover	_____
			Early parts assembly w/ related fasteners	
16	2	518-295	Disk & Hub Asby	_____



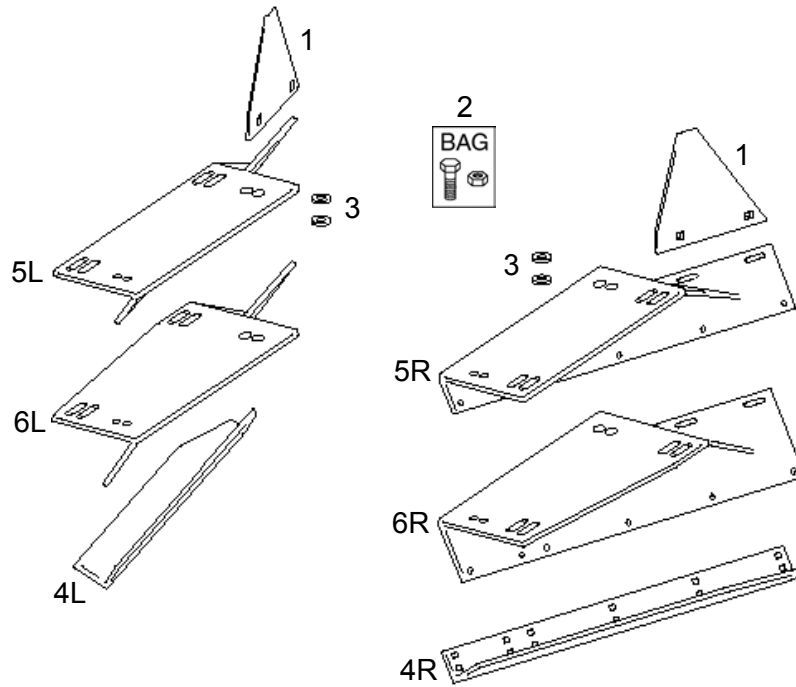
PARTS LIST



PARTS LIST

Ref	Quan	Part No	Description	Price
	1	17407	Shaper Pan Asby - includes Ref 1 thru 5	_____
1A	1	517-504	Mounting Bracket, Side A	_____
1B	1	517-505	Mounting Bracket, Side B	_____
	4	511-121	U-Bolt, 1/2-13 x 2sq x 3	_____
	8	511-051	Hex Nut, 1/2-13	_____
2	2	517-513	Frame Bracket, Reversible	_____
	2	511-121	U-Bolt, 1/2-13 x 2sq x 3	_____
	4	511-051	Hex Nut, 1/2-13	_____
3	2	517-507	Shaper Pan Leg	_____
	4	511-156	Hex Capscrew, 5/8-11 x 1-1/2	_____
	4	511-142	Hex Nut, 5/8-11	_____
4	1	517-637	Front Shield, 72"	_____
	4	511-070	Hex Capscrew, 1/2-13 x 1-1/4	_____
	4	511-184	Flat Washer, 1/2 SAE	_____
	4	511-051	Hex Nut, 1/2-13	_____
5	1	517-860	Shaper Pan, 72"	_____
	4	511-070	Hex Capscrew, 1/2-13 x 1-1/4	_____
	4	511-051	Hex Nut, 1/2-13	_____
			OPTION	
	1	17316A	Crowned Shaper Pan Pkg - includes Ref 6, replaces Ref 5	_____
6	1	517-917	Crowned Shaper Pan, 72"	_____
			OPTION	
			Shaper Pan Poly Liner	
7	1	522-772	Shaper Pan Poly Liner, 72"	_____
7	1	524-872	Crowned Shaper Pan Poly Liner, 72"	_____

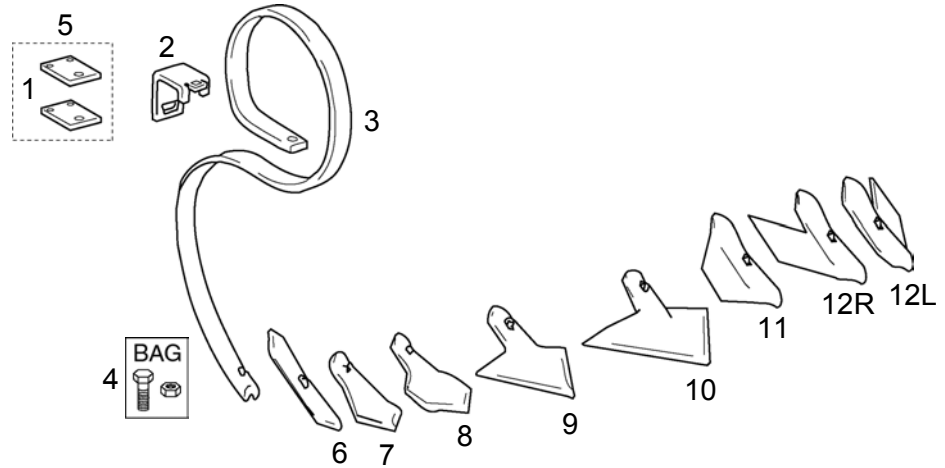
PARTS LIST



PARTS LIST

Ref	Quan	Part No	Description	Price
	1	519-321	Bed Height Completing Pkg - includes Ref 1 thru 4	_____
1	2	518-617	Adjustable Side Shield	_____
	4	510-750	Carriage Bolt, 3/8-16 x 1	_____
	4	511-194	Flat Washer, 3/8 USS	_____
	4	511-008	Hex Nut, 3/8-16	_____
2	1		Bag of Fasteners - to install Bed Height Pkg	_____
	2	511-069	Hex Capscrew, 1/2-13 x 1-1/2 - included	_____
	6	511-070	Hex Capscrew, 1/2-13 x 1-1/4 - included	_____
	4	511-184	Flat Washer, 1/2 SAE - included	_____
	8	511-051	Hex Nut, 1/2-13 - included	_____
3	4	512-057	Heavy Washer, 1/2 x 1-1/2 OD - included	_____
4L	1	518-608	Furrow Shoe, Left	_____
4R	1	518-609	Furrow Shoe, Right	_____
	12	510-750	Carriage Bolt, 3/8-16 x 1	_____
	12	511-008	Hex Nut, 3/8-16	_____
ADD (1) Bed Height Package to complete Shaper Pan Asby				
	1	519-303	Bed Height Pkg, 3" base for 3" or 4" adjustable bed height - includes Ref 5L, 5R	_____
5L	1	518-653	Furrow Shaper, 3" Base Left	_____
5R	1	518-663	Furrow Shaper, 3" Base Right	_____
	1	519-305	Bed Height Pkg, 5" Base for 5" or 6" adjustable bed height - includes Ref 6L, 6R	_____
6L	1	518-655	Furrow Shaper, 5" Base Left	_____
6R	1	518-665	Furrow Shaper, 5" Base Right	_____

PARTS LIST



Ref	Quan	Part No	Description	Price
			OPTION	
	5-9	13610	S-Tine, HC 7/16 x 1-1/4, & Clamp for 2sq on 2121-D quantity depends on application - parts for each listed below	
	1	13610	S-Tine, HC 7/16 x 1-1/4, & Clamp for 2sq - includes Ref 1 thru 3	_____
1	1	511-552	Tine Clamp - alternate with 517-605 and 20130	_____
	1	510-751	Hex Capscrew, 1/2-13 x 3-1/2	_____
	1	511-184	Flat Washer 1/2 SAE	_____
	1	511-051	Hex Nut, 1/2-13	_____
2	2	517-605	Tine Clamp Plate - alternate to 511-552	_____
	1	510-751	Hex Capscrew, 1/2-13 x 3-3/4	_____
	1	511-051	Hex Nut, 1/2-13	_____
	2	510-719	Hex Capscrew, 3/8-16 x 3-3/4	_____
	2	511-239	Hex NyLock Nut, 3/8-16	_____
3	1	512-843	S-Tine, HC 7/16 x 1-1/4	_____
4	1	99013FA	Bag of Fasteners - to install Shovel	_____
	1	510-798	Plow Bolt, 3/8-16 x 1-1/2 - included	_____
	1	511-194	Flat Washer, 3/8 USS - included	_____
	1	511-008	Hex Nut, 3/8-16 - included	_____
			Parts assembly w/ related fasteners	
5	1	20130	Tine Clamp Asby for 2sq - alternate to 511-552	_____

PARTS LIST

Ref	Quan	Part No	Description	Price
ADD (as needed) Shovel(s) to complete each S-Tine Asby				
6	1	511-555	Reversible Point, HD	_____
7	1	511-556	Shovel, 2-1/4 HD	_____
8	1	511-557	Shovel, 4 HD	_____
9	1	512-558	Shovel, 7 HD	_____
10	1	514-559	Shovel, 9 HD	_____
11	1	514-094	ShaperShovel	_____
12L	1	516-398	ShaperShovel, Left	_____
12R	1	516-399	ShaperShovel, Right	_____