



BUCKEYE TRACTOR CO

Parts List

**Model 2121-D
BED SHAPER**

Version D12 • Serial No. 5000100 • Effective 4-24-12

Serial No: _____ Date Received: ___ / ___ / ___

Purchased From: _____

Order / Invoice No: _____



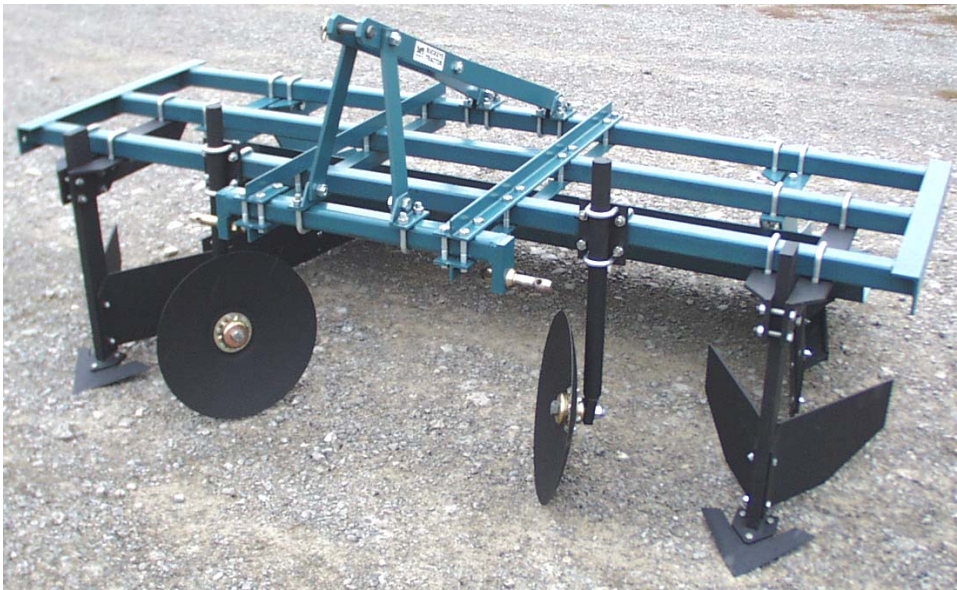
BUCKEYE TRACTOR CO

**P.O.Box 97 • 11313 Slabtown Road • Columbus Grove, Ohio 45830 USA
call 419-659-2162 • fax 419-659-2082**

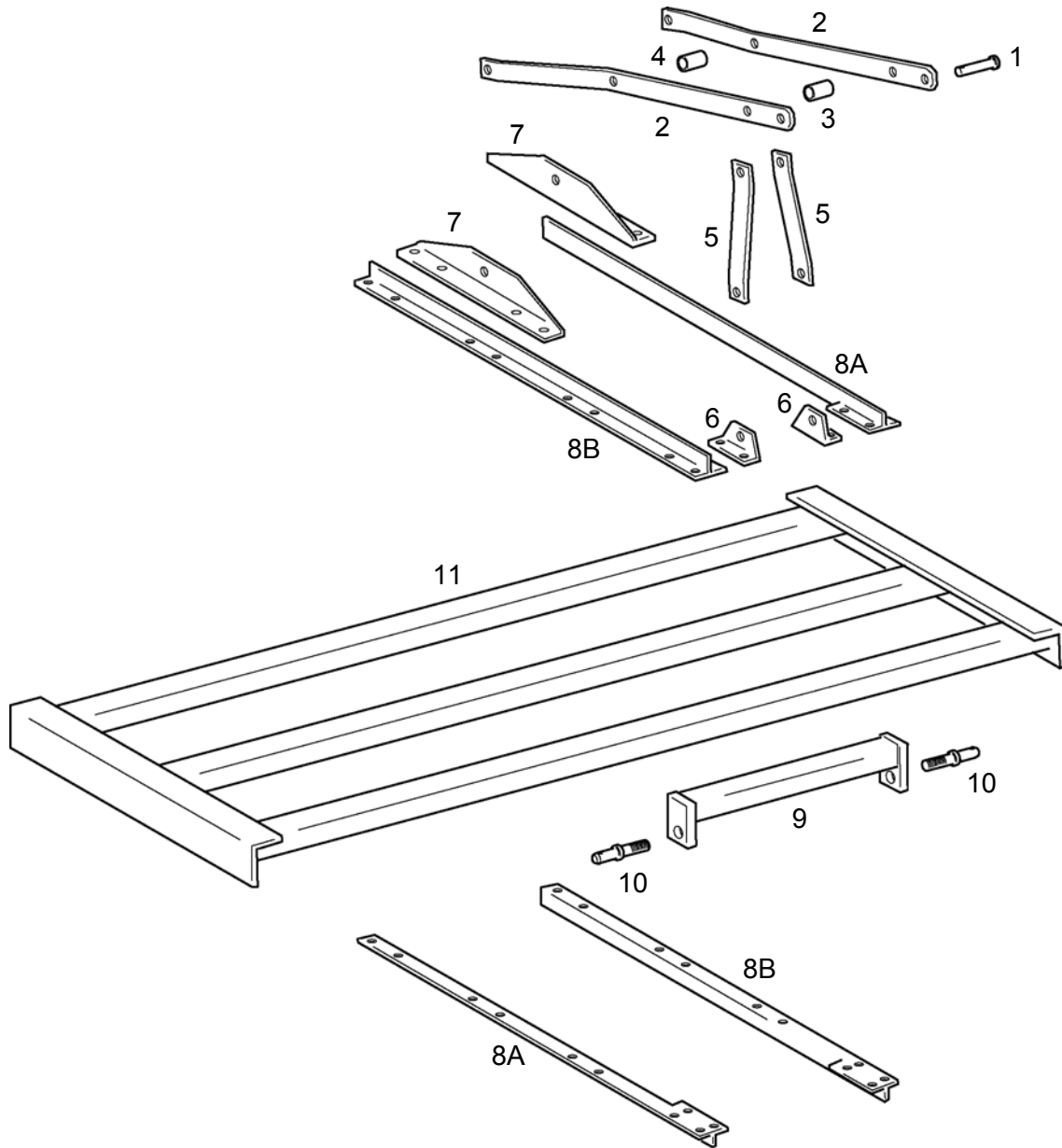
buckeyetractor@bright.net • www.buctraco.com

YOUR PURCHASE INCLUDES COMPLETE AFTER-SALE SERVICE

GALLERY



PARTS LIST



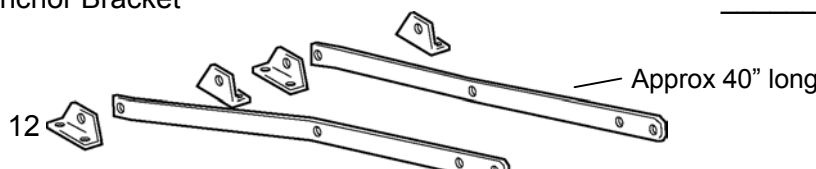
| Ref | Quan | Part No | Description | Price |
|-----|------|---------|---|-------|
| | 1 | 21523 | Toolbar Hitch - includes Ref 1 thru 10 | _____ |
| 1 | 1 | 517-512 | Hitch Pin, 3/4 x 3-1/4 | _____ |
| | 1 | 511-354 | Linch Pin, 1/4 | _____ |

PARTS LIST

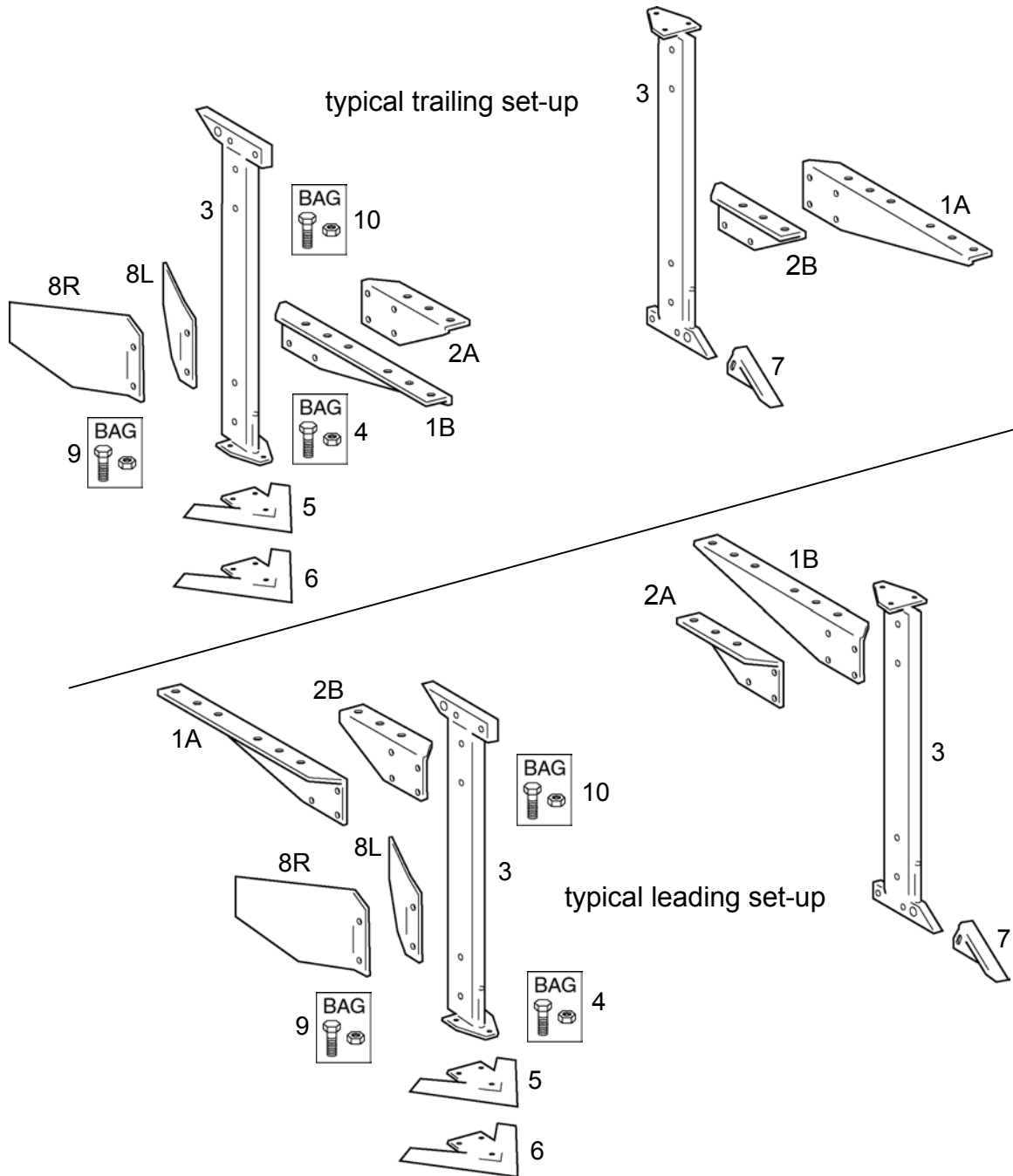
| Ref | Quan | Part No | Description | Price |
|---|------|-----------|--|-------|
| 2 | 2 | 518-812 | Top Hitch Bar | _____ |
| | 2 | 511-143 | Hex Capscrew, 5/8-11 x 1-3/4 | _____ |
| | 1 | 511-027 | Hex Capscrew, 5/8-11 x 4-1/2 | _____ |
| | 3 | 511-142 | Hex Nut, 5/8-11 | _____ |
| 3 | 1 | 512-425 | Bushing, 1" OD x 5/8 ID x 2 | _____ |
| 4 | 1 | 512-425 | Bushing, 1" OD x 5/8 ID x 2 | _____ |
| | 1 | 511-029 | Hex Capscrew, 5/8-11 x 3-1/2 | _____ |
| | 1 | 511-214 | Hex Nut, 5/8-11 Jam | _____ |
| 5 | 2 | 518-811 | A-Frame Support | _____ |
| | 2 | 510-996 | Hex Capscrew, 5/8-11 x 1-1/4 | _____ |
| | 2 | 511-142 | Hex Nut, 5/8-11 | _____ |
| 6 | 6 | 511-595 | Anchor Bracket | _____ |
| | 2 | 511-121 | U-Bolt, 1/2-13 x 2sq x 3 | _____ |
| | 4 | 511-051 | Hex Nut, 1/2-13 | _____ |
| 7 | 2 | 518-803 | Rear Anchor Bracket | _____ |
| | 4 | 511-121 | U-Bolt, 1/2-13 x 2sq x 3 | _____ |
| | 8 | 511-051 | Hex Nut, 1/2-13 | _____ |
| 8A | 2 | 518-813 | Hitch Clamp Bar, 3-bar Side A | _____ |
| 8B | 2 | 518-815 | Hitch Clamp Bar, 3-bar Side B | _____ |
| | 12 | 510-786 | Hex Capscrew, 1/2-13 x 3-1/4 | _____ |
| | 12 | 511-051 | Hex Nut, 1/2-13 | _____ |
| 9 | 1 | 515-847 | Lower Hitch Crossbar | _____ |
| | 8 | 510-786 | Hex Capscrew, 1/2-13 x 3-1/4 | _____ |
| | 8 | 511-051 | Hex Nut, 1/2-13 | _____ |
| 10 | 2 | 511-652 | Anchor Pin | _____ |
| | 2 | 511-243 | Hex Nut, 7/8-14 | _____ |
| | 2 | 511-362 | Linch Pin, 7/16 | _____ |
| ADD (1) Toolbar Frame to Toolbar Hitch | | | | |
| 11 | 1 | 20033-084 | Toolbar Frame, 2sq x 3-bar x 84 x 3/16w - standard on 2121-D | _____ |

EARLY PARTS - retrofit unreferenced parts with current parts

| | | | | |
|----|---|---------|----------------------|-------|
| 12 | 4 | 511-595 | Hitch Anchor Bracket | _____ |
|----|---|---------|----------------------|-------|



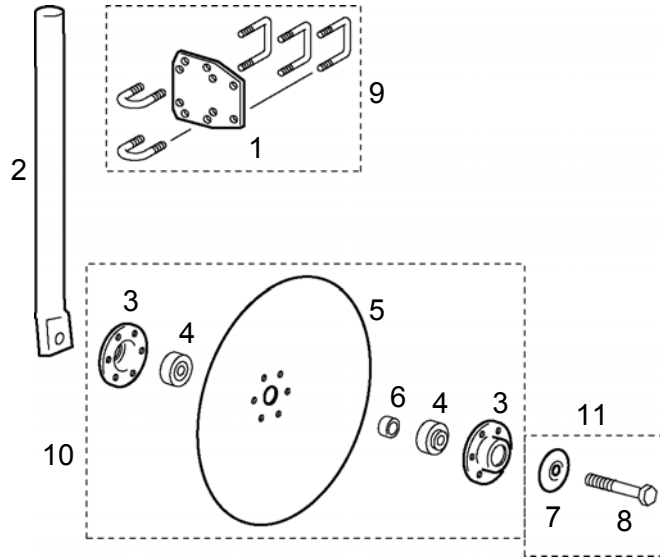
PARTS LIST



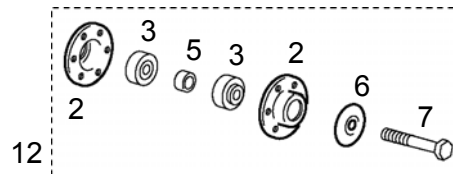
PARTS LIST

| Ref | Quan | Part No | Description | Price |
|-----|----------|----------------|--|-------|
| | 1 | 20327 | Rev Furrow/Ripper Shank Asby, L&R for 2-Bar x 2sq - includes Ref 1 thru 3 | _____ |
| 1A | 1 | 517-615 | Shank Half Bracket, 2-Bar Side A | _____ |
| 1B | 1 | 517-616 | Shank Half Bracket, 2-Bar Side B | _____ |
| | 4 | 511-121 | U-bolt, 1/2-13 x 2sq x 3 | _____ |
| | 8 | 511-051 | Hex Nut, 1/2-13 | _____ |
| 2A | 1 | 517-613 | Shank Half Bracket, Side A | _____ |
| 2B | 1 | 517-614 | Shank Half Bracket, Side B | _____ |
| | 2 | 511-121 | U-bolt, 1/2-13 x 2sq x 3 | _____ |
| | 4 | 511-051 | Hex Nut, 1/2-13 | _____ |
| 3 | 2 | 519-000 | Rev Furrow/Ripper Shank, 1-1/4 x 3 | _____ |
| | 4 | 516-518 | Shear Bolt, 1/2-13 x 2-1/2 | _____ |
| | 4 | 511-065 | Hex Capscrew, 1/2-13 x 2-1/2 | _____ |
| | 8 | 511-051 | Hex Nut, 1/2-13 | _____ |
| 4 | 1 | 99022FA | Bag of Fasteners - to install Flat-Mount Shovel | _____ |
| | 6 | 511-101 | Hex Capscrew, 3/8-16 x 1 - included | _____ |
| | 6 | 511-008 | Hex Nut, 3/8-16 - included | _____ |
| | | | ADD (as needed) to complete Furrow/RipperShank Asby | |
| | 2 | 517-817 | Flat-Mount Shovel, 7" | _____ |
| 5 | 2 | 517-836 | Flat-Mount Shovel, 10" | _____ |
| 6 | 2 | 518-837 | Flat-Mount Shovel, 12" | _____ |
| 7 | 2 | 517-179 | Ripper Point, 1-1/2 x 6 | _____ |
| | 2 | 517-676 | Furrow Wing Pkg | |
| 8L | 2 | 517-556 | Furrow Wing, Left | _____ |
| 8R | 2 | 517-557 | Furrow Wing, Right | _____ |
| 9 | 1 | 99022FA | Bag of Fasteners - to install Flat-Mount Shovel | _____ |
| | 4 | 511-066 | Hex Capscrew, 1/2-12 x 2-1/4 | _____ |
| | 4 | 511-051 | Hex Nut, 1/2-13 | _____ |
| | | | Parts assembly w/ related fasteners | |
| 10 | 1 | 99002FA | Bag of Shear Bolts | _____ |
| | 6 | 516-518 | Shear Bolts, 1/2-13 x 2-1/2 - included | _____ |
| | 6 | 511-051 | Hex Nut, 1/2-13 - included | _____ |

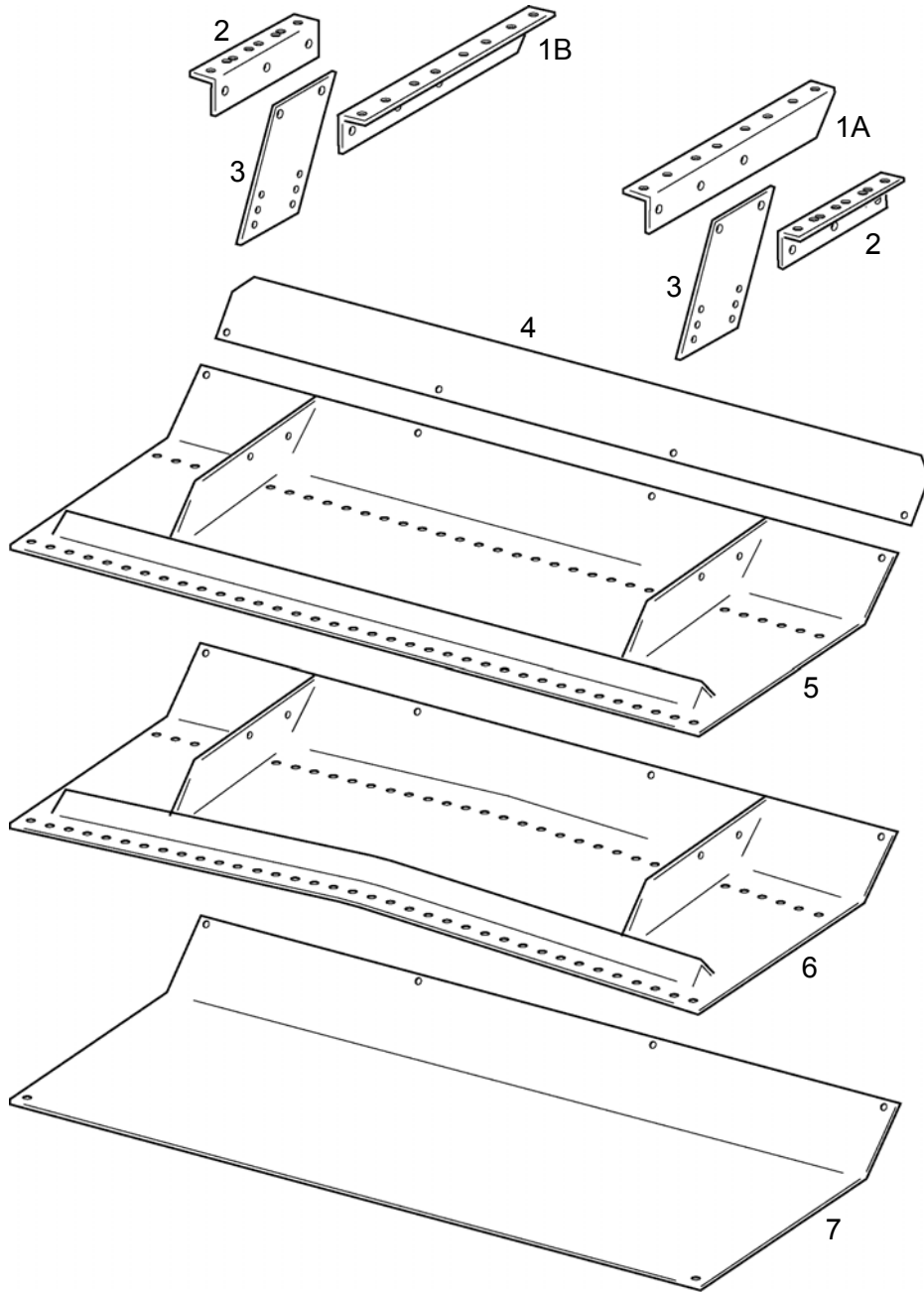
PARTS LIST



| Ref | Quan | Part No | Description | Price |
|-----|----------|--------------|---|-------|
| | 2 | 20116 | Disk, 16", Shank & Clamp for 2sq - includes Ref 1 thru 8 | _____ |
| 1 | 2 | 518-438 | D5-Plate, 2 x 1-1/2 | _____ |
| | 6 | 511-121 | U-Bolt, 1/2-13 x 2sq x 3 | _____ |
| | 4 | 510-718 | U-Bolt, 1/2-13 x 1-1/2rd x 2-3/4 | _____ |
| | 20 | 511-051 | Hex Nut, 1/2-13 | _____ |
| 2 | 2 | 517-837 | Shank | _____ |
| 3 | 4 | 518-846 | Hub Flange | _____ |
| | 12 | 510-709 | Hex Capscrew, 5/16-18 x 7/8 | _____ |
| | 12 | 511-240 | Hex Nut, 5/16-18 Nylock | _____ |
| 4 | 4 | 517-919 | Ball Bearing, 205RVA, John Deere A27002 | _____ |
| 5 | 2 | 517-910 | Disk Blade, 16" | _____ |
| 6 | 2 | 518-849 | Spacer, 1-1/8 OD x 3/4 ID x 0.350 | _____ |
| 7 | 2 | 518-848 | Dust Cover | _____ |
| 8 | 2 | 510-975 | [Bearing Bolt] Hex Capscrew, 3/4-10 x 3-3/4 | _____ |
| | 2 | 511-172 | Hex Nut, 3/4-10 | _____ |
| | | | Parts assemblies w/ related fasteners | |
| 9 | 2 | 20155R | D5-Clamp Asby, 2sq x 1-1/2rd | _____ |
| 10 | 2 | 519-296 | Disk & Hub Asby | _____ |
| 11 | 2 | 19116FA | Parts for Final Assembly | _____ |
| 12 | 2 | 519-216 | Complete Hub Asby | _____ |



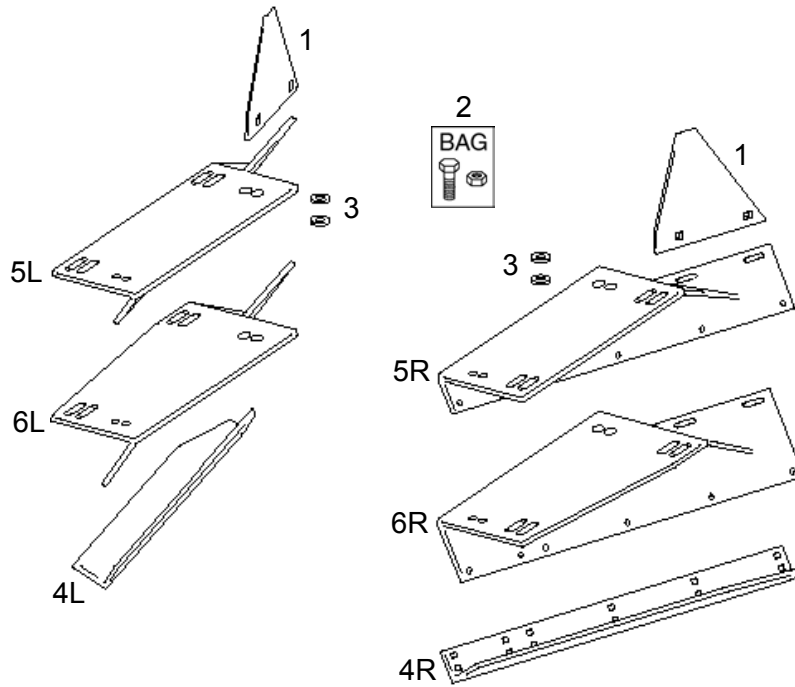
PARTS LIST



PARTS LIST

| Ref | Quan | Part No | Description | Price |
|-----|----------|---------------|--|-------|
| | 1 | 20417 | Shaper Pan Asby - includes Ref 1 thru 5 | _____ |
| 1A | 1 | 517-504 | Mounting Bracket, Side A | _____ |
| 1B | 1 | 517-505 | Mounting Bracket, Side B | _____ |
| | 4 | 511-121 | U-Bolt, 1/2-13 x 2sq x 3 | _____ |
| | 8 | 511-051 | Hex Nut, 1/2-13 | _____ |
| 2 | 2 | 517-513 | Mounting Bracket, Reversible | _____ |
| | 2 | 511-121 | U-Bolt, 1/2-13 x 2sq x 3 | _____ |
| | 4 | 511-051 | Hex Nut, 1/2-13 | _____ |
| 3 | 2 | 517-507 | Shaper Pan Leg | _____ |
| | 4 | 511-156 | Hex Capscrew, 5/8-11 x 1-1/2 | _____ |
| | 4 | 511-142 | Hex Nut, 5/8-11 | _____ |
| 4 | 1 | 521-772 | Front Shield, 72" | _____ |
| | 4 | 511-071 | Hex Capscrew, 1/2-13 x 1-1/4 | _____ |
| | 4 | 511-184 | Flat Washer, 1/2 SAE | _____ |
| | 4 | 511-051 | Hex Nut, 1/2-13 | _____ |
| 5 | 1 | 522-472 | Shaper Pan, 72" | _____ |
| | 4 | 511-070 | Hex Capscrew, 1/2-13 x 1-1/4 | _____ |
| | 4 | 511-051 | Hex Nut, 1/2-13 | _____ |
| | | | OPTION | |
| | 1 | 17316A | Crowned Shaper Pan Pkg - includes Ref 6, replaces Ref 5 | _____ |
| 6 | 1 | 526-672 | Crowned Shaper Pan, 72" | _____ |
| | | | OPTION | |
| | | | Shaper Pan Poly Liner | |
| 7 | 1 | 522-772 | Shaper Pan Poly Liner, 72" | _____ |
| 7 | 1 | 524-872 | Crowned Shaper Pan Poly Liner, 72" | _____ |

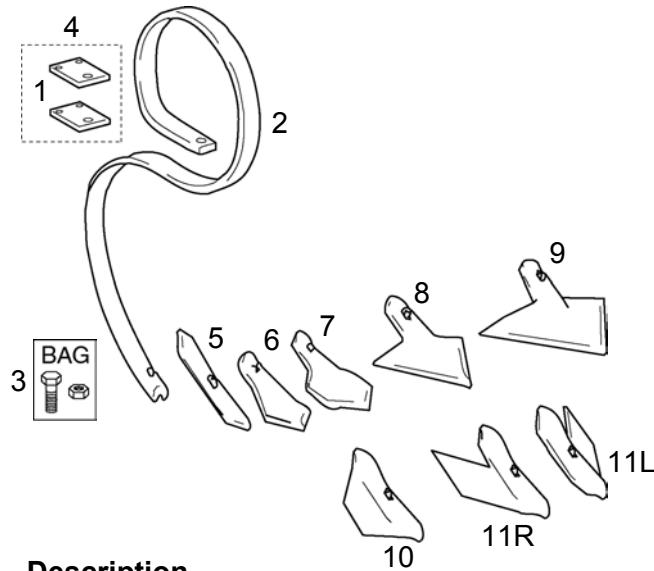
PARTS LIST



PARTS LIST

| Ref | Quan | Part No | Description | Price |
|---|----------|----------------|---|-------|
| | 1 | 519-321 | Bed Height Completing Pkg - includes Ref 1 thru 4 | _____ |
| 1 | 2 | 518-617 | Adjustable Side Shield | _____ |
| | 4 | 510-750 | Carriage Bolt, 3/8-16 x 1 | _____ |
| | 4 | 511-194 | Flat Washer, 3/8 USS | _____ |
| | 4 | 511-008 | Hex Nut, 3/8-16 | _____ |
| 2 | 1 | | Bag of Fasteners - to install Bed Height Pkg | _____ |
| | 2 | 511-069 | Hex Capscrew, 1/2-13 x 1-1/2 - included | _____ |
| | 6 | 511-070 | Hex Capscrew, 1/2-13 x 1-1/4 - included | _____ |
| | 4 | 511-184 | Flat Washer, 1/2 SAE - included | _____ |
| | 8 | 511-051 | Hex Nut, 1/2-13 - included | _____ |
| 3 | 4 | 512-057 | Heavy Washer, 1/2 x 1-1/2 OD - included | _____ |
| 4L | 1 | 518-608 | Furrow Shoe, Left | _____ |
| 4R | 1 | 518-609 | Furrow Shoe, Right | _____ |
| | 12 | 510-750 | Carriage Bolt, 3/8-16 x 1 | _____ |
| | 12 | 511-008 | Hex Nut, 3/8-16 | _____ |
| ADD (1) Bed Height Package to complete Shaper Pan Asby | | | | |
| | 1 | 519-303 | Bed Height Pkg, 3" base for 3" or 4" adjustable bed height - includes Ref 5L, 5R | _____ |
| 5L | 1 | 518-653 | Furrow Shaper, 3" Base Left | _____ |
| 5R | 1 | 518-663 | Furrow Shaper, 3" Base Right | _____ |
| | 1 | 519-305 | Bed Height Pkg, 5" Base for 5" or 6" adjustable bed height - includes Ref 6L, 6R | _____ |
| 6L | 1 | 518-655 | Furrow Shaper, 5" Base Left | _____ |
| 6R | 1 | 518-665 | Furrow Shaper, 5" Base Right | _____ |

PARTS LIST



| Ref | Quan | Part No | Description | Price |
|-----|------------|--------------|---|-------|
| | 5-9 | 20136 | OPTION S-Tine, HC 7/16 x 1-1/4, & Clamp for 2sq on 2121-D quantity depends on application - parts for each listed below | |
| | 1 | 20136 | S-Tine, HC 7/16 x 1-1/4, & Clamp for 2sq - includes Ref 1 thru 3 | _____ |
| 1 | 2 | 517-605 | Tine Clamp Plate | _____ |
| | 1 | 510-751 | Hex Capscrew, 1/2-13 x 3-3/4 | _____ |
| | 1 | 511-051 | Hex Nut, 1/2-13 | _____ |
| | 2 | 510-719 | Hex Capscrew, 3/8-16 x 3-3/4 | _____ |
| | 2 | 511-239 | Hex NyLock Nut, 3/8-16 | _____ |
| 2 | 1 | 512-843 | S-Tine, HC 7/16 x 1-1/4 | _____ |
| 3 | 1 | 99013FA | Bag of Fasteners - to install Shovel | _____ |
| | 1 | 510-798 | Plow Bolt, 3/8-16 x 1-1/2 - included | _____ |
| | 1 | 511-194 | Flat Washer, 3/8 USS - included | _____ |
| | 1 | 511-008 | Hex Nut, 3/8-16 - included | _____ |
| | | | Parts assembly w/ related fasteners | |
| 4 | 1 | 20130 | Tine Clamp Asby for 2sq | _____ |

PARTS LIST

| Ref | Quan | Part No | Description | Price |
|---|------|---------|----------------------|-------|
| ADD (as needed) Shovel(s) to complete each S-Tine Asby | | | | |
| 5 | 1 | 511-555 | Reversible Point, HD | _____ |
| 6 | 1 | 511-556 | Shovel, 2-1/4 HD | _____ |
| 7 | 1 | 511-557 | Shovel, 4 HD | _____ |
| 8 | 1 | 512-558 | Shovel, 7 HD | _____ |
| 9 | 1 | 514-559 | Shovel, 9 HD | _____ |
| 10 | 1 | 514-094 | ShaperShovel | _____ |
| 11L | 1 | 516-398 | ShaperShovel, Left | _____ |
| 11R | 1 | 516-399 | ShaperShovel, Right | _____ |