



BUCKEYE TRACTOR CO

Parts List

**Model 4321-D
BED SHAPER**

Version B04 • Serial No. 4401300 • Effective 4-13-07

Serial No: _____ Date Received: ___ / ___ / ___

Purchased From: _____

Order / Invoice No: _____



BUCKEYE TRACTOR CO

P.O.Box 97 • 11313 Slabtown Road • Columbus Grove, Ohio 45830 USA

Call 419-659-2162 • Fax 419-659-2082

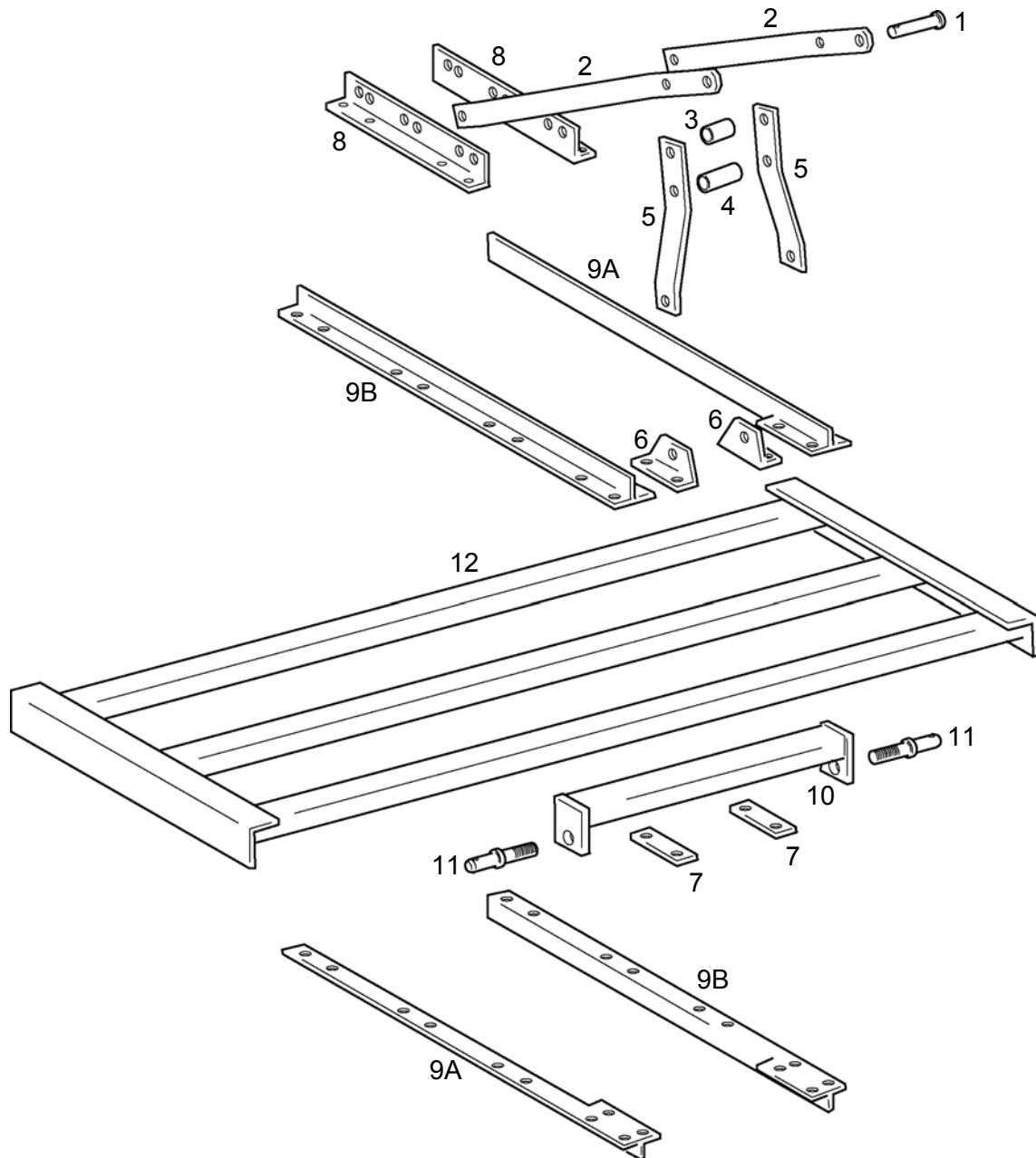
buckeyetractor@bright.net • www.buctraco.com

YOUR PURCHASE INCLUDES COMPLETE AFTER-SALE SERVICE

GALLERY



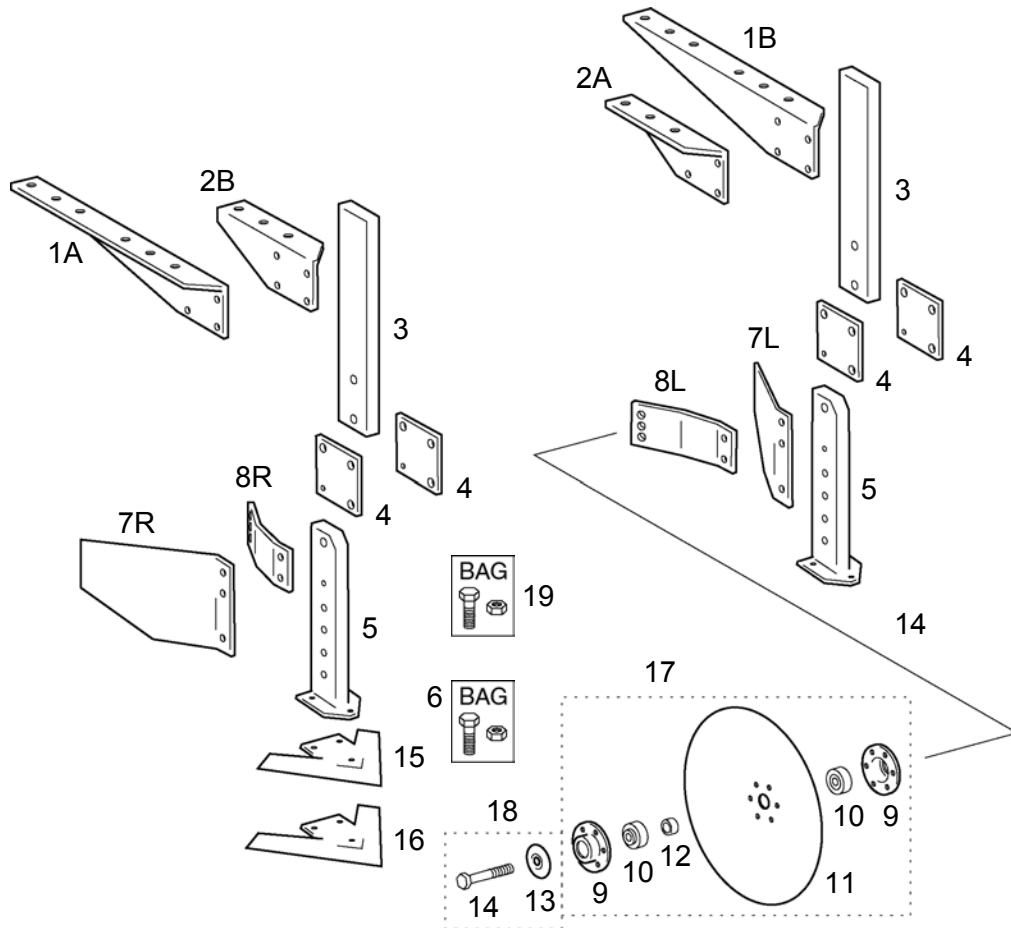
PARTS LIST



PARTS LIST

Ref	Quan	Part No	Description	Price
	1	22513	Toolbar Hitch - includes Ref 1 thru 11	
1	1	517-516	Hitch Pin, 1 x 4-1/2	_____
	2	512-816	Linch Pin, 5/16	_____
2	2	517-656	Top Hitch Bar	_____
	1	511-012	Hex Capscrew, 3/4-10 x 6	_____
	2	511-103	Hex Capscrew, 3/4-10 x 1-3/4	_____
	3	511-172	Hex Nut, 3/4-10	_____
3	1	517-091	Bushing, 1-1/8 OD x 3/4 ID x 2-1/2	_____
4	1	517-092	Bushing, 1-1/8 OD x 3/4 ID x 3-3/4	_____
	1	511-012	Hex Capscrew, 3/4-10 x 6	_____
	1	511-172	Hex Nut, 3/4-10	_____
5	2	517-696	A-Frame Support	_____
	2	511-103	Hex Capscrew, 3/4-10 x 1-3/4	_____
	2	511-172	Hex Nut, 3/4-10	_____
6	2	517-093	Anchor Bracket	_____
	4	511-029	Hex Capscrew, 5/8-11 x 3-1/2	_____
	4	511-142	Hex Nut, 5/8-11	_____
7	2	517-095	Clamp Bar	_____
8	2	517-087	Rear Anchor Bracket	_____
	4	511-121	U-Bolt, 1/2-13 x 2sq x 3	_____
	8	511-051	Hex Nut, 1/2-13	_____
9A	1	514-310	Hitch Clamp Bar, 3-bar Side A	_____
9B	1	514-304	Hitch Clamp Bar, 3-bar Side B	_____
	12	511-029	Hex Capscrew, 5/8-11 x 3-1/2	_____
	12	511-142	Hex Nut, 5/8-11	_____
10	1	517-111	Lower Hitch Crossbar	_____
	8	511-029	Hex Capscrew, 5/8-11 x 3-1/2	_____
	8	511-142	Hex Nut, 5/8-11	_____
11	2	511-653	Anchor Pin	_____
	2	511-362	Linch Pin, 7/16	_____
	2	510-966	Hex Nut, 1-1/8-12	_____
			ADD (1) Toolbar Frame to Toolbar Hitch	
12	1	20043-084	Toolbar Frame, 2sq x 3-bar x 84 x 1/4w - standard on 4321-D	_____

PARTS LIST

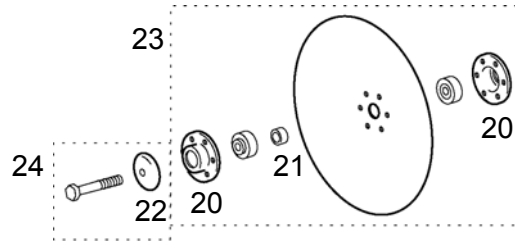


Ref	Quan	Part No	Description	Price
	1	18765	18765 Furrow Shank & Disk Asby, L&R for 2-Bar x 2sq - includes Ref 1 thru 13	_____
1A	1	517-615	Shank Half Bracket, 2-Bar Side A	_____
1B	1	517-616	Shank Half Bracket, 2-Bar Side B	_____
	4	511-121	U-bolt, 1/2-13 x 2sq x 3	_____
	8	511-051	Hex Nut, 1/2-13	_____
2A	1	517-613	Shank Half Bracket, Side A	_____
2B	1	517-614	Shank Half Bracket, Side B	_____
	2	511-121	U-bolt, 1/2-13 x 2sq x 3	_____
	4	511-051	Hex Nut, 1/2-13	_____
3	2	518-481	Shank Top	_____
	8	511-064	Hex Capscrew, 1/2-13 x 2-3/4	_____
	8	511-051	Hex Nut, 1/2-13	_____

PARTS LIST

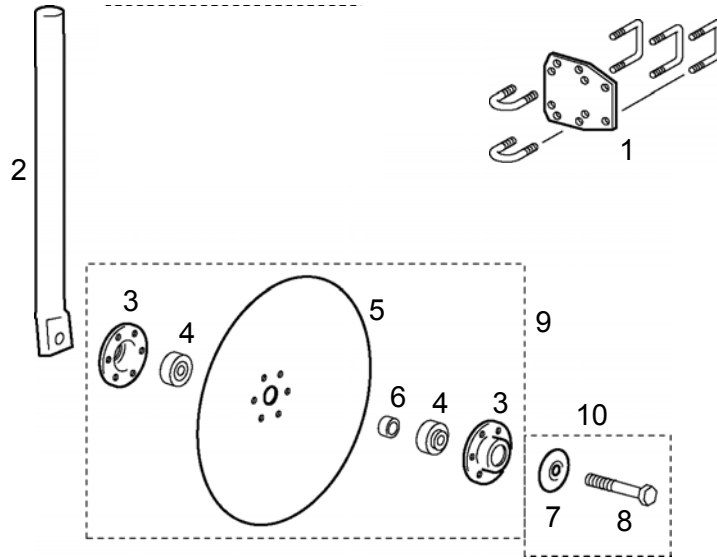
Ref	Quan	Part No	Description	Price
4	4	518-486	Shear Bolt Plate	_____
	4	511-031	Hex Capscrew, 5/8-11 x 2-3/4	_____
	4	511-142	Hex Nut, 5/8-11	_____
5	2	518-483	Shank Bottom	_____
	2	511-030	Hex Capscrew, 5/8-11 x 3	_____
	2	511-236	Hex NyLock Nut, 5/8-11	_____
	2	510-720	Shear Bolt, 3/8-16 x 2-1/2	_____
	2	511-008	Hex Nut, 3/8-16	_____
6	2	99022FA	Bag of Fasteners - to install Flat-Mount Shovel	_____
	6	511-101	Hex Capscrew, 3/8-16 x 1 - included	_____
	6	511-008	Hex Nut, 3/8-16 - included	_____
7L	1	517-556	Furrow Wing, Left	_____
7R	1	517-557	Furrow Wing, Right	_____
	2	511-067	Hex Capscrew, 1/2-12 x 2	_____
	2	511-051	Hex Nut, 1/2-13	_____
8L	1	519-026	Disk Bracket, Left	_____
8R	1	519-027	Disk Bracket, Right	_____
	4	511-065	Hex Capscrew, 1/2-12 x 2-1/2	_____
	4	511-051	Hex Nut, 1/2-13	_____
9	4	518-846	Hub Flange	_____
	12	510-709	Hex Capscrew, 5/16-18 x 7/8	_____
	12	511-240	Hex Nut, 5/16-18 Nylock	_____
10	4	517-919	Ball Bearing, 205RVA, John Deere A27002	_____
11	2	517-910	Disk Blade, 16"	_____
12	2	518-849	Spacer, 1-1/8 OD x 3/4 ID x 0.350	_____
13	2	518-848	Dust Cover	_____
14	2	511-018	[Bearing Bolt] Hex Capscrew, 3/4-10 x 3-1/2	_____
	2	511-172	Hex Nut, 3/4-10	_____
ADD as needed to complete Furrow Shank Asby				
	2	517-817	Flat-Mount Shovel, 7"	_____
15	2	517-836	Flat-Mount Shovel, 10"	_____
16	2	518-837	Flat-Mount Shovel, 12" - standard on 4321-D	_____
Parts assemblies w/ related fasteners				
17	2	518-295	Disk & Hub Asby	_____
18	2	19116FA	Parts for Final Assembly	_____
19	1	99001FP	Bag of Shear Bolts	_____
	6	510-720	Shear Bolt, 3/8-16 x 2-1/2 - included	_____
	6	511-008	Hex Nut, 3/8-16 - included	_____

PARTS LIST

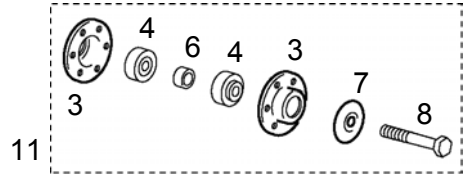


Ref	Quan	Part No	Description	Price
EARLY PARTS				
20	4	517-912	Hub Flange	_____
21	2	517-907	Spacer, 1-1/8 x 3/4 x 0.420	_____
22	2	517-915	Dust Cover	_____
Early parts assemblies w/ related fasteners				
23	2	518-295	Disk & Hub Asby	_____
24	2	19116FA	Bag of Fasteners for Disk & Shank	_____

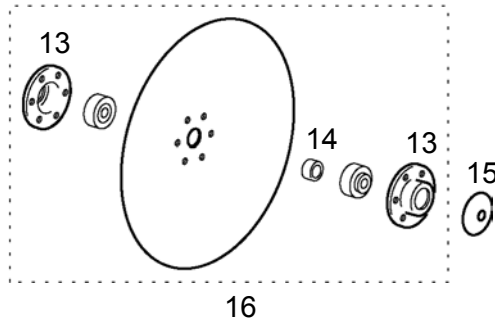
PARTS LIST



Ref	Quan	Part No	Description	Price
	2	18650	D5-Clamp Asby, 2sq x 1-1/2rd - includes Ref 1	_____
1	2	518-438	D5-Plate, 2 x 1-1/2	_____
	6	511-121	U-Bolt, 1/2-13 x 2sq x 3	_____
	4	510-718	U-Bolt, 1/2-13 x 1-1/2rd x 2-3/4	_____
	20	511-051	Hex Nut, 1/2-13	_____
	2	19116	Disk, 16", Shank & Clamp for 2sq - includes Ref 2 thru 8	_____
2	2	517-837	Shank	_____
3	4	518-846	Hub Flange	_____
	12	510-709	Hex Capscrew, 5/16-18 x 7/8	_____
	12	511-240	Hex Nut, 5/16-18 Nylock	_____
4	4	517-919	Ball Bearing, 205RVA, John Deere A27002	_____
5	2	517-910	Disk Blade, 16"	_____
6	2	518-849	Spacer, 1-1/8 OD x 3/4 ID x 0.350	_____
7	2	518-848	Dust Cover	_____
8	2	510-975	[Bearing Bolt] Hex Capscrew, 3/4-10 x 3-3/4	_____
	2	511-172	Hex Nut, 3/4-10	_____
			Parts assemblies w/ related fasteners	
9	2	519-296	Disk & Hub Asby	_____
10	2	19116FA	Parts for Final Assembly	_____
11	2	519-216	Complete Hub Asby	_____

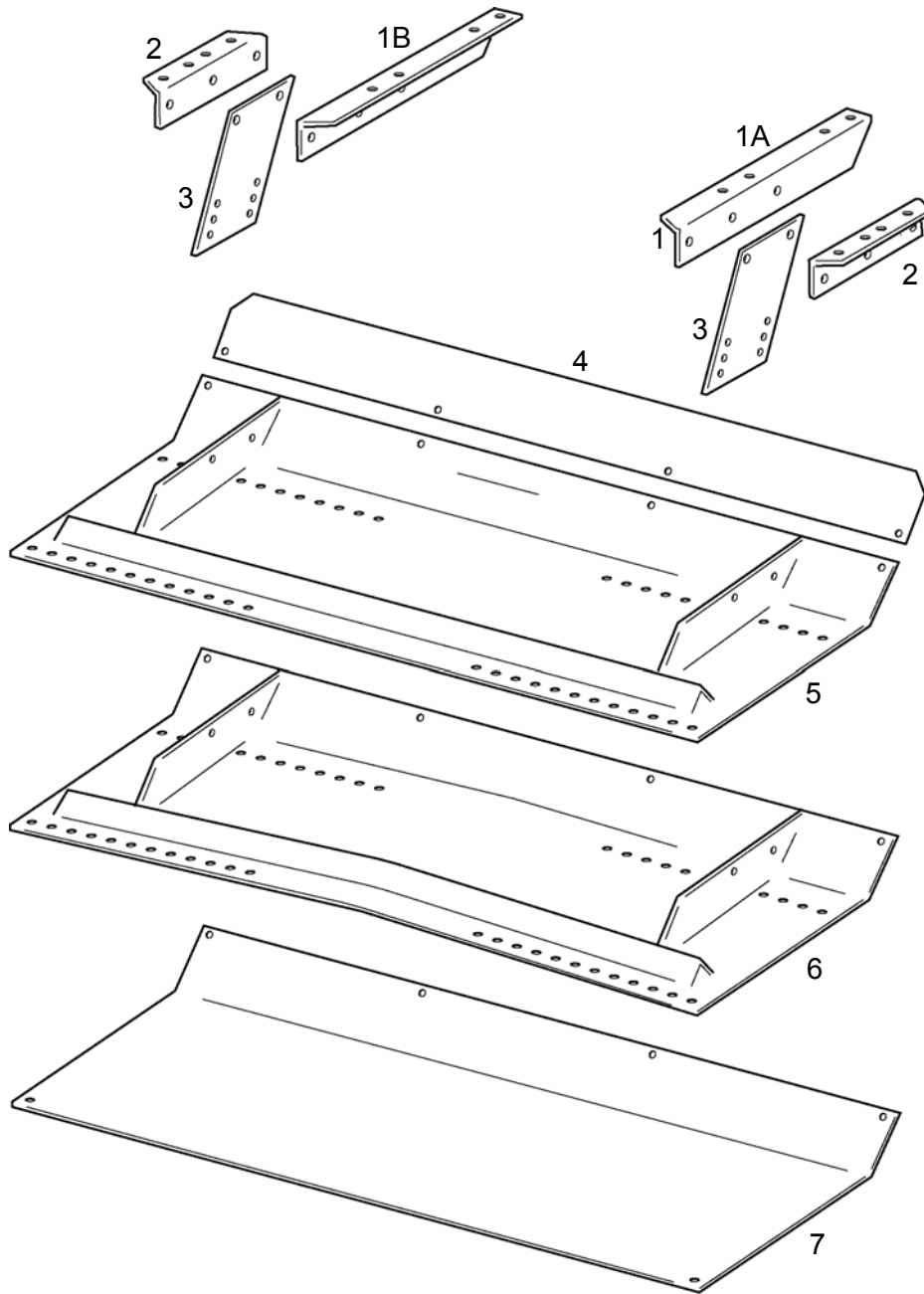


PARTS LIST



Ref	Quan	Part No	Description	Price
EARLY PARTS				
13	4	517-912	Hub Flange	_____
14	2	517-907	Spacer, 1-1/8od x 3/4id x 0.420	_____
15	2	517-915	Dust Cover	_____
16	2	518-295	Early parts assembly w/ related fasteners Disk & Hub Asby	_____

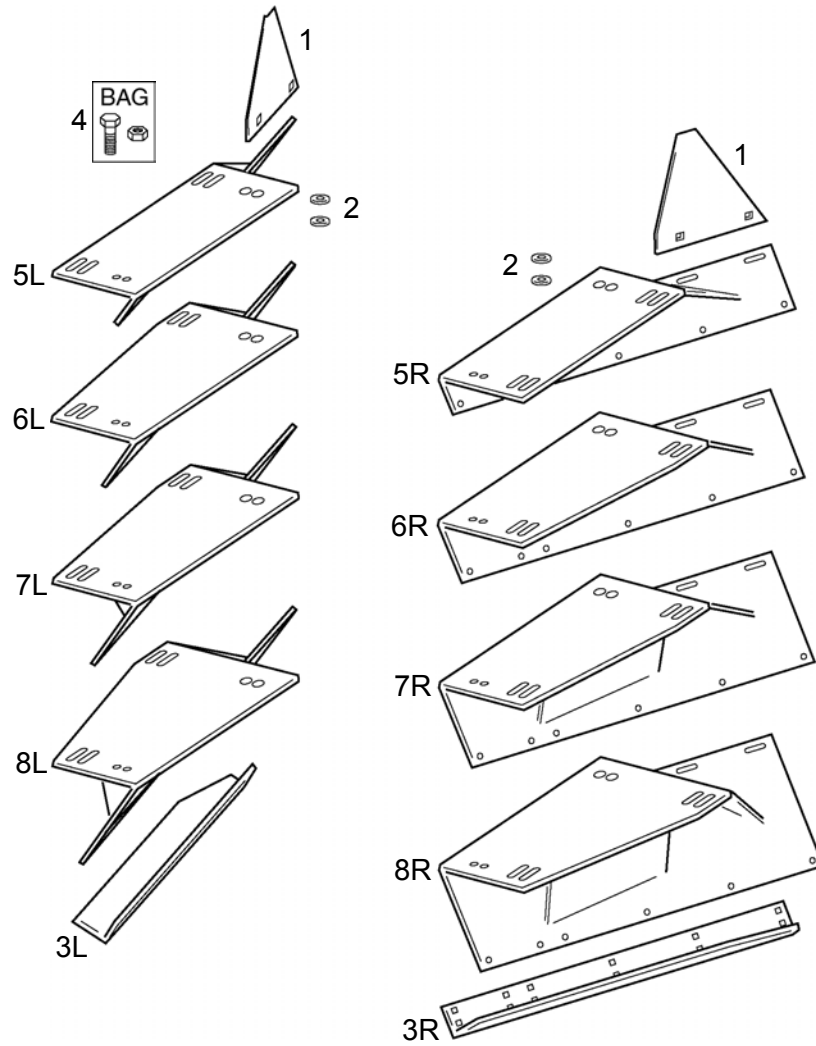
PARTS LIST



PARTS LIST

Ref	Quan	Part No	Description	Price
	1	17407	Shaper Pan Asby - includes Ref 1 thru 5	_____
1A	1	517-504	Mounting Bracket, Side A	_____
1B	1	517-505	Mounting Bracket, Side B	_____
	4	511-121	U-Bolt, 1/2-13 x 2sq x 3	_____
	8	511-051	Hex Nut, 1/2-13	_____
2	2	517-513	Frame Bracket, Reversible	_____
	2	511-121	U-Bolt, 1/2-13 x 2sq x 3	_____
	4	511-051	Hex Nut, 1/2-13	_____
3	2	517-507	Shaper Pan Leg	_____
	4	511-156	Hex Capscrew, 5/8-11 x 1-1/2	_____
	4	511-142	Hex Nut, 5/8-11	_____
4	1	517-637	Front Shield, 72"	_____
	4	511-070	Hex Capscrew, 1/2-13 x 1-1/4	_____
	4	511-184	Flat Washer, 1/2 SAE	_____
	4	511-051	Hex Nut, 1/2-13	_____
5	1	517-860	Shaper Pan, 72"	_____
	4	511-070	Hex Capscrew, 1/2-13 x 1-1/4	_____
	4	511-051	Hex Nut, 1/2-13	_____
			OPTION	
	1	17316	Crowned Shaper Pan Pkg - includes Ref 6, replaces Ref 5	_____
6	1	517-917	Crowned Shaper Pan, 72"	_____
			OPTION	
			Shaper Pan Poly Liner	
7	1	516-401	Shaper Pan Poly Liner, 72"	_____
7	1		Crowned Shaper Pan Poly Liner, 72"	_____

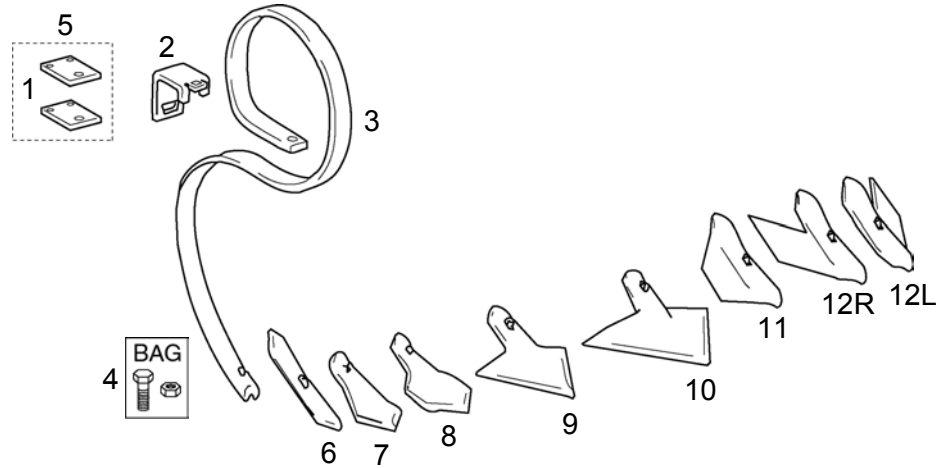
PARTS LIST



PARTS LIST

Ref	Quan	Part No	Description	Price
	1	519-321	Bed Height Completing Pkg - includes Ref 1 thru 4	_____
1	2	518-617	Adjustable Side Shield	_____
	4	510-750	Carriage Bolt, 3/8-16 x 1	_____
	4	511-194	Flat Washer, 3/8 USS	_____
	4	511-008	Hex Nut, 3/8-16	_____
2	4	512-057	Heavy Washer, 1/2 x 1-1/2od	_____
3L	1	518-608	Furrow Shoe, Left	_____
3R	1	518-609	Furrow Shoe, Right	_____
	12	510-750	Carriage Bolt, 3/8-16 x 1	_____
	12	511-008	Hex Nut, 3/8-16	_____
4	1		[Furrow Shaper Fasteners]	_____
	2	511-069	Hex Capscrew, 1/2-13 x 1-1/2	_____
	6	511-070	Hex Capscrew, 1/2-13 x 1-1/4	_____
	4	511-184	Flat Washer, 1/2 SAE	_____
	8	511-051	Hex Nut, 1/2-13	_____
ADD (1) Bed Height Package to complete Shaper Pan Asby				
	1	519-303	Bed Height Pkg, 3" base for 3" or 4" adjustable bed height - includes Ref 5L, 5R	_____
5L	1	518-653	Furrow Shaper, 3" Base Left	_____
5R	1	518-663	Furrow Shaper, 3" Base Right	_____
	1	519-305	Bed Height Pkg, 5" Base for 5" or 6" adjustable bed height - includes Ref 6L, 6R	_____
6L	1	518-655	Furrow Shaper, 5" Base Left	_____
6R	1	518-665	Furrow Shaper, 5" Base Right	_____
	1	519-307	Bed Height Pkg, 7" base for 7" or 8" adjustable bed height - includes Ref 7L, 7R	_____
7L	1	518-657	Furrow Shaper, 7" Base Left	_____
7R	1	518-667	Furrow Shaper, 7" Base Right	_____
	1	519-309	Bed Height Pkg, 9" base for 9" or 10" adjustable bed height - includes Ref 8L, 8R	_____
8L	1	518-659	Furrow Shaper, 9" Base Left	_____
8R	1	518-669	Furrow Shaper, 9" Base Right	_____

PARTS LIST



Ref	Quan	Part No	Description	Price
			OPTION	
	5-9	13610	S-Tine, HC 7/16 x 1-1/4, & Clamp for 2sq on 4321-D quantity depends on application - parts for each listed below	
	1	13610	S-Tine, HC 7/16 x 1-1/4, & Clamp for 2sq - includes Ref 1 thru 3	_____
1	1	511-552	Tine Clamp - alternate with 517-605 and 20130	_____
	1	510-751	Hex Capscrew, 1/2-13 x 3-1/2	_____
	1	511-184	Flat Washer 1/2 SAE	_____
	1	511-051	Hex Nut, 1/2-13	_____
2	2	517-605	Tine Clamp Plate - alternate to 511-552	_____
	1	510-751	Hex Capscrew, 1/2-13 x 3-3/4	_____
	1	511-051	Hex Nut, 1/2-13	_____
	2	510-719	Hex Capscrew, 3/8-16 x 3-3/4	_____
	2	511-239	Hex NyLock Nut, 3/8-16	_____
3	1	512-843	S-Tine, HC 7/16 x 1-1/4	_____
4	1	99013FA	Bag of Fasteners - to install Shovel	_____
	1	510-798	Plow Bolt, 3/8-16 x 1-1/2 - included	_____
	1	511-194	Flat Washer, 3/8 USS - included	_____
	1	511-008	Hex Nut, 3/8-16 - included	_____
			Parts assembly w/ related fasteners	
5	1	20130	Tine Clamp Asby for 2sq - alternate to 511-552	_____

PARTS LIST

Ref	Quan	Part No	Description	Price
ADD (as needed) Shovel(s) to complete each S-Tine Asby				
6	1	511-555	Reversible Point, HD	_____
7	1	511-556	Shovel, 2-1/4 HD	_____
8	1	511-557	Shovel, 4 HD	_____
9	1	512-558	Shovel, 7 HD	_____
10	1	514-559	Shovel, 9 HD	_____
11	1	514-094	ShaperShovel	_____
12L	1	516-398	ShaperShovel, Left	_____
12R	1	516-399	ShaperShovel, Right	_____