



BUCKEYE TRACTOR CO

Parts List

Model 1912-D
BEDDER-LAYER COMBO

Version E12 • Serial No. 4970100 • Effective 1-1-12

Serial No: _____ Date Received: ___ / ___ / ___

Purchased From: _____

Invoice No: _____



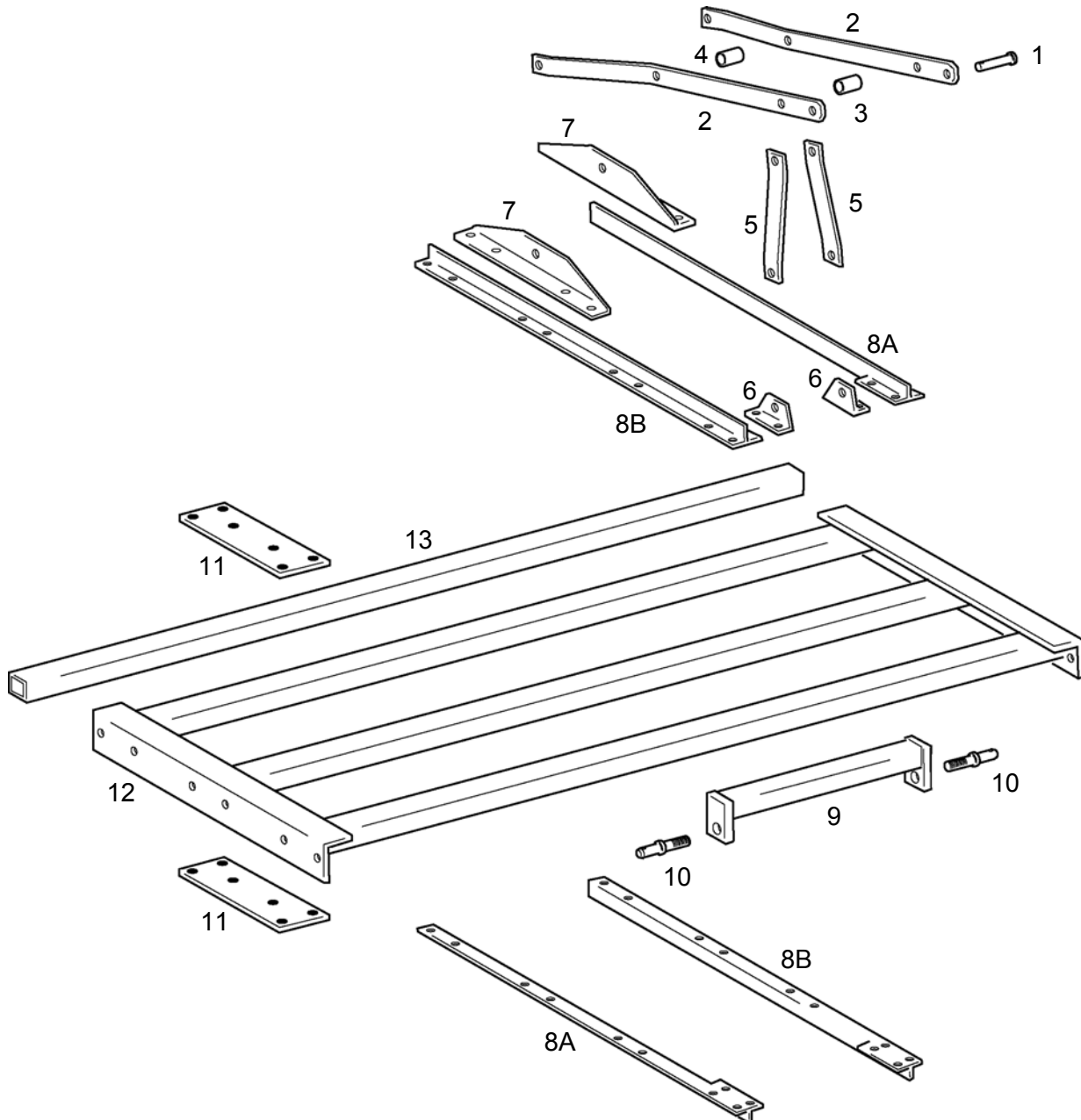
BUCKEYE TRACTOR CO
P.O.Box 97 • 11313 Slabtown Road • Columbus Grove, Ohio 45830 USA
call 419-659-2162 • fax 419-659-2082
buckeyetractor@bright.net • www.buctraco.com

YOUR PURCHASE INCLUDES COMPLETE AFTER-SALE SERVICE

GALLERY



PARTS LIST

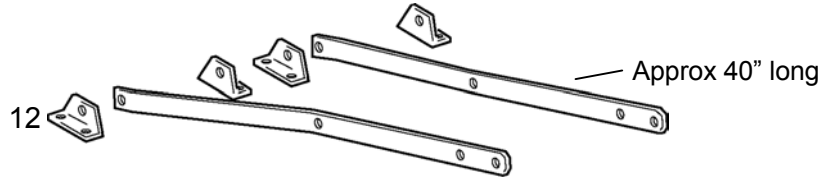


PARTS LIST

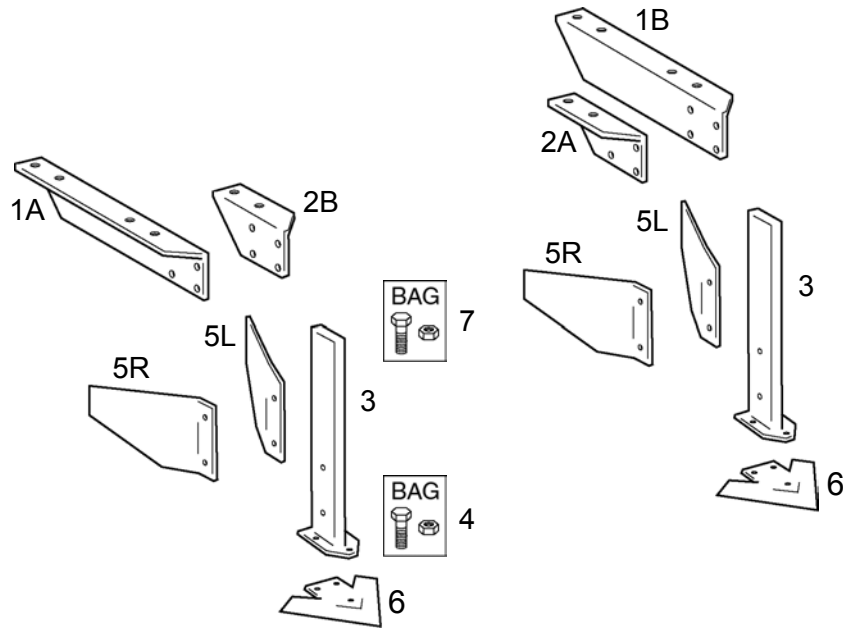
Ref	Quan	Part No	Description	Price
	1	21564	Toolbar Hitch, Specialized - includes Ref 1 thru 11	
1	1	517-512	Hitch Pin, 3/4 x 3-1/4	
	1	511-354	Linch Pin, 1/4	
2	2	518-812	Top Hitch Bar	
	2	511-143	Hex Capscrew, 5/8-11 x 1-3/4	
	1	511-027	Hex Capscrew, 5/8-11 x 4-1/2	
	3	511-142	Hex Nut, 5/8-11	
3	1	512-425	Bushing, 1" OD x 5/8 ID x 2	
4	1	512-425	Bushing, 1" OD x 5/8 ID x 2	
	1	511-029	Hex Capscrew, 5/8-11 x 3-1/2	
	1	511-214	Hex Nut, 5/8-11 Jam	
5	2	518-811	A-Frame Support	
	2	510-996	Hex Capscrew, 5/8-11 x 1-1/4	
	2	511-142	Hex Nut, 5/8-11	
6	6	511-595	Anchor Bracket	
	2	511-121	U-Bolt, 1/2-13 x 2sq x 3	
	4	511-051	Hex Nut, 1/2-13	
7	2	518-803	Rear Anchor Bracket	
	4	511-121	U-Bolt, 1/2-13 x 2sq x 3	
	8	511-051	Hex Nut, 1/2-13	
8A	2	518-813	Hitch Clamp Bar, 3-bar Side A	
8B	2	518-815	Hitch Clamp Bar, 3-bar Side B	
	12	510-786	Hex Capscrew, 1/2-13 x 3-1/4	
	12	511-051	Hex Nut, 1/2-13	
9	1	515-847	Lower Hitch Crossbar	
	8	510-786	Hex Capscrew, 1/2-13 x 3-1/4	
	8	511-051	Hex Nut, 1/2-13	
10	2	511-652	Anchor Pin	
	2	511-243	Hex Nut, 7/8-14	
	2	511-362	Linch Pin, 7/16	
11	4	517-400	Toolbar Spacer Plate, 2-bar x 6	
	12	511-052	Hex Capscrew, 1/2-13 x 3	
	12	511-051	Hex Nut, 1/2-13	
			ADD (1) Toolbar Frame & (1) Toolbar to Toolbar Hitch	
12	1	20033-072	Toolbar Frame, 2sq x 3-bar x 72 x 3/16w	
13	1	20030-074	Toolbar, 2sq x 74 x 3/16w	

PARTS LIST

Ref	Quan	Part No	Description	Price
			EARLY PARTS - retrofit unreferenced parts with current parts	
12	4	511-595	Hitch Anchor Bracket	_____



PARTS LIST

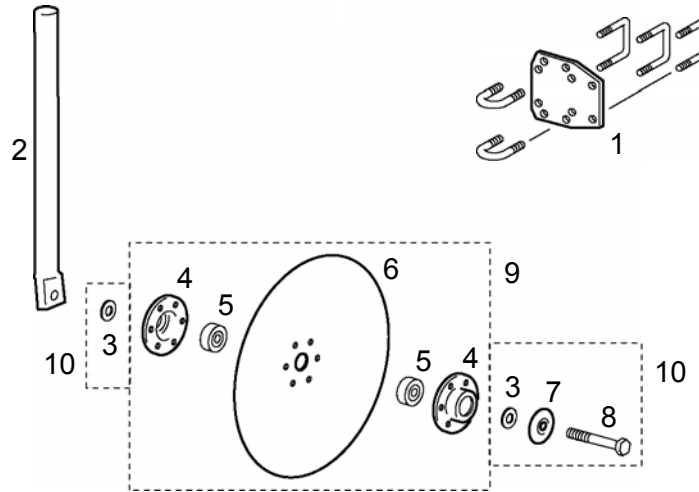


Ref	Quan	Part No	Description	Price
	1	20264	Furrow Shank Asby, 1 x 2-1/2, L&R for 2-bar x 2sq - includes Ref 1 thru 5	_____
1A	1	518-787	Shank Half Bracket, 2-bar Side A	_____
1B	1	518-788	Shank Half Bracket, 2-Bar Side B	_____
	4	511-121	U-bolt, 1/2-13 x 2sq x 3	_____
	8	511-051	Hex Nut, 1/2-13	_____
2A	1	518-598	Shank Half Bracket, Side A	_____
2B	1	518-599	Shank Half Bracket, Side B	_____
	2	511-121	U-bolt, 1/2-13 x 2sq x 3	_____
	4	511-051	Hex Nut, 1/2-13	_____
3	2	518-470	Furrow Shank, 1 x 2-1/2	_____
4	2	99021FA	Bag of Fasteners - to install Flat-Mount Shovel	_____
	6	511-116	Hex Capscrew, 5/16-18 x 1 - included	_____
	6	511-010	Hex Nut, 5/16-18 - included	_____
5L	2	516-460	Furrow Wing, Left	_____
5R	2	516-461	Furrow Wing, Right	_____
	4	511-099	Hex Capscrew, 3/8-16 x 1-3/4	_____
	4	511-008	Hex Nut, 3/8-16	_____
			ADD (2) Shovel to complete Furrow Shank Asby	
6	2	516-520	Flat-Mount Shovel, 9"	_____

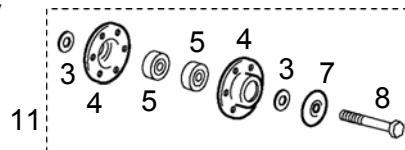
PARTS LIST

Ref	Quan	Part No	Description	Price
			Parts assembly w/ related fasteners	
7	1	99002FA	Bag of Shear Bolts	_____
	6	516-518	Shear Bolts, 1/2-13 x 2-1/2 - included	_____
	6	511-051	Hex Nut, 1/2-13 - included	_____

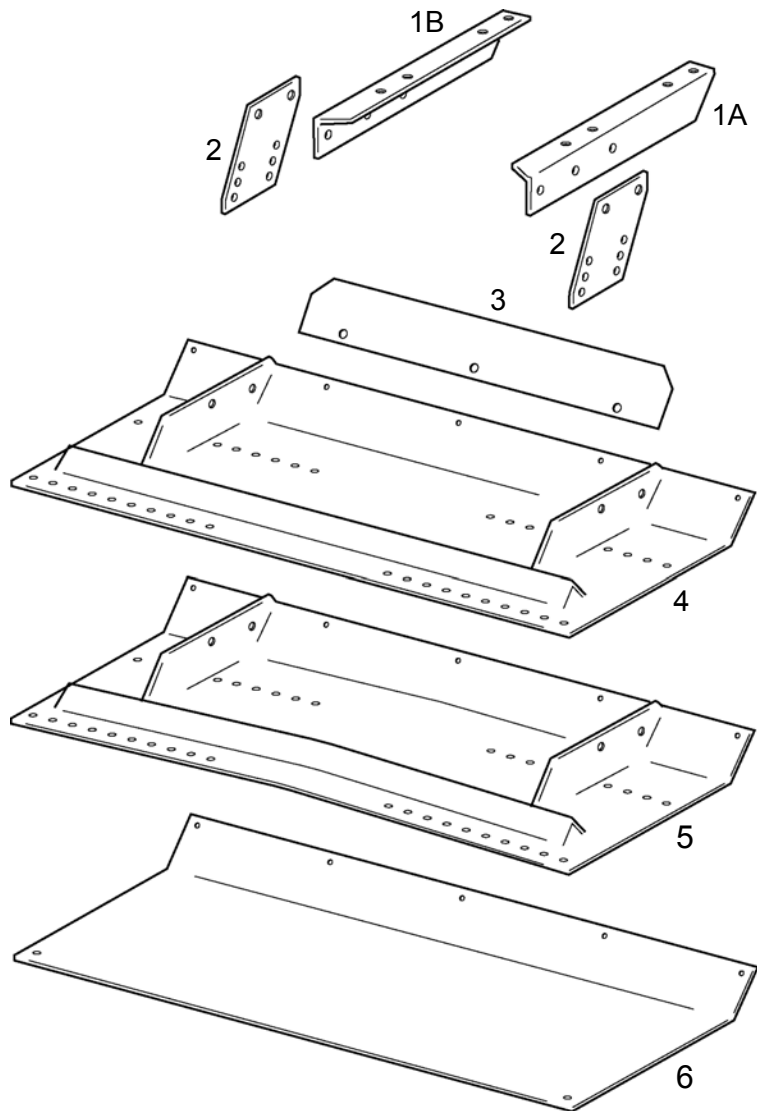
PARTS LIST



Ref	Quan	Part No	Description	Price
	2	18500	D5-Clamp Asby, 2sq x 1-1/4rd - includes Ref 1	_____
1	2	518-423	D5-Plate, 2 x 1-1/4	_____
	6	511-121	U-Bolt, 1/2-13 x 2sq x 3	_____
	4	510-718	U-Bolt, 1/2-13 x 1-1/2rd x 2-3/4	_____
	20	511-051	Hex Nut, 1/2-13	_____
	2	19114	Disk, 14" & Shank Asby - includes Ref 2 thru 8	_____
2	2	516-764	Shank	_____
3	4	511-179	[Spacer] Flat Washer, 5/8 SAE	_____
4	4	518-845	Hub Flange	_____
	12	516-770	Hex Capscrew, 1/4-20 x 7/8 Grade 8	_____
	12	511-241	Hex Nut, 1/4-20 Nylock	_____
5	4	516-768	Ball Bearing, 204RY2, John Deere AA21480	_____
6	2	516-769	Disk Blade, 14"	_____
7	2	518-847	Dust Cover	_____
8	2	510-744	[Bearing Bolt] Hex Capscrew, 5/8-11 x 3-1/4	_____
	2	511-142	Hex Nut, 5/8-11	_____
			Parts assemblies w/ related fasteners	
9	2	518-894	Disk & Hub Asby	_____
10	2	19114FA	Parts for Final Assembly	_____
11	2	519-214	Complete Hub Asby	_____



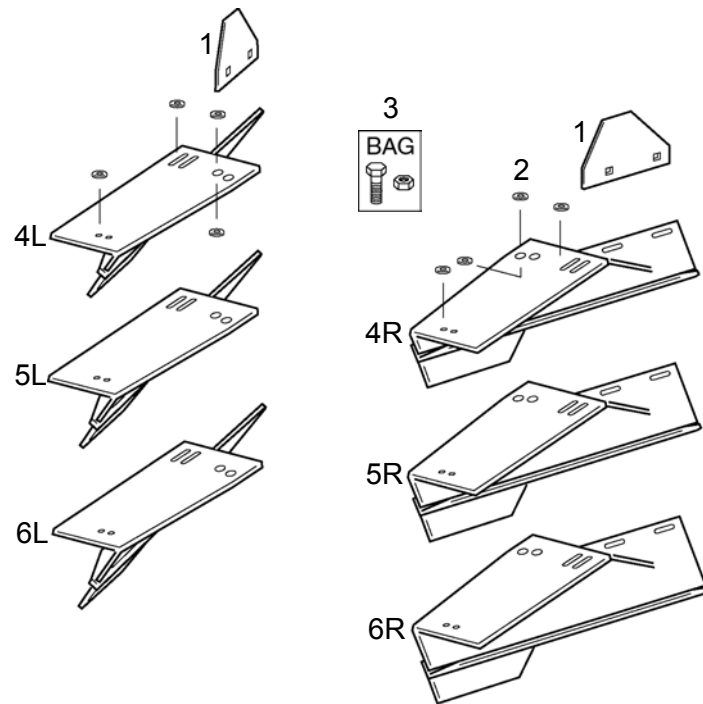
PARTS LIST



PARTS LIST

Ref	Quan	Part No	Description	Price
	1	17270	Shaper Pan Asby - includes Ref 1 thru 4	_____
1A	1	516-483	Mounting Bracket, Side A	_____
1B	1	516-484	Mounting Bracket, Side B	_____
	4	511-121	U-Bolt, 1/2-13 x 2sq x 3	_____
	8	511-051	Hex Nut, 1/2-13	_____
2	2	517-274	Shaper Pan Leg	_____
	4	510-996	Hex Capscrew, 5/8-11 x 1-1/4	_____
	4	511-142	Hex Nut, 5/8-11	_____
3	1	517-278	Front Shield	_____
	3	511-101	Hex Capscrew, 3/8-16 x 1	_____
	3	511-194	Flat Washer, 3/8 SAE	_____
	3	511-008	Hex Nut, 3/8-16	_____
4	1	517-271	Shaper Pan, 60"	_____
	4	511-071	Hex Capscrew, 1/2-13 x 1	_____
	4	511-051	Hex Nut, 1/2-13	_____
			OPTION	
	1	17281A	Crowned Shaper Pan Pkg - includes Ref 5, replaces Ref 4	_____
5	1	517-582	Crowned Shaper Pan, 60"	_____
			OPTION	
			Shaper Pan Poly Liner	
6	1	521-460	Shaper Pan Poly Liner, 60"	_____
6	1	523-560	Shaper Pan Crowned Poly Liner, 60"	_____

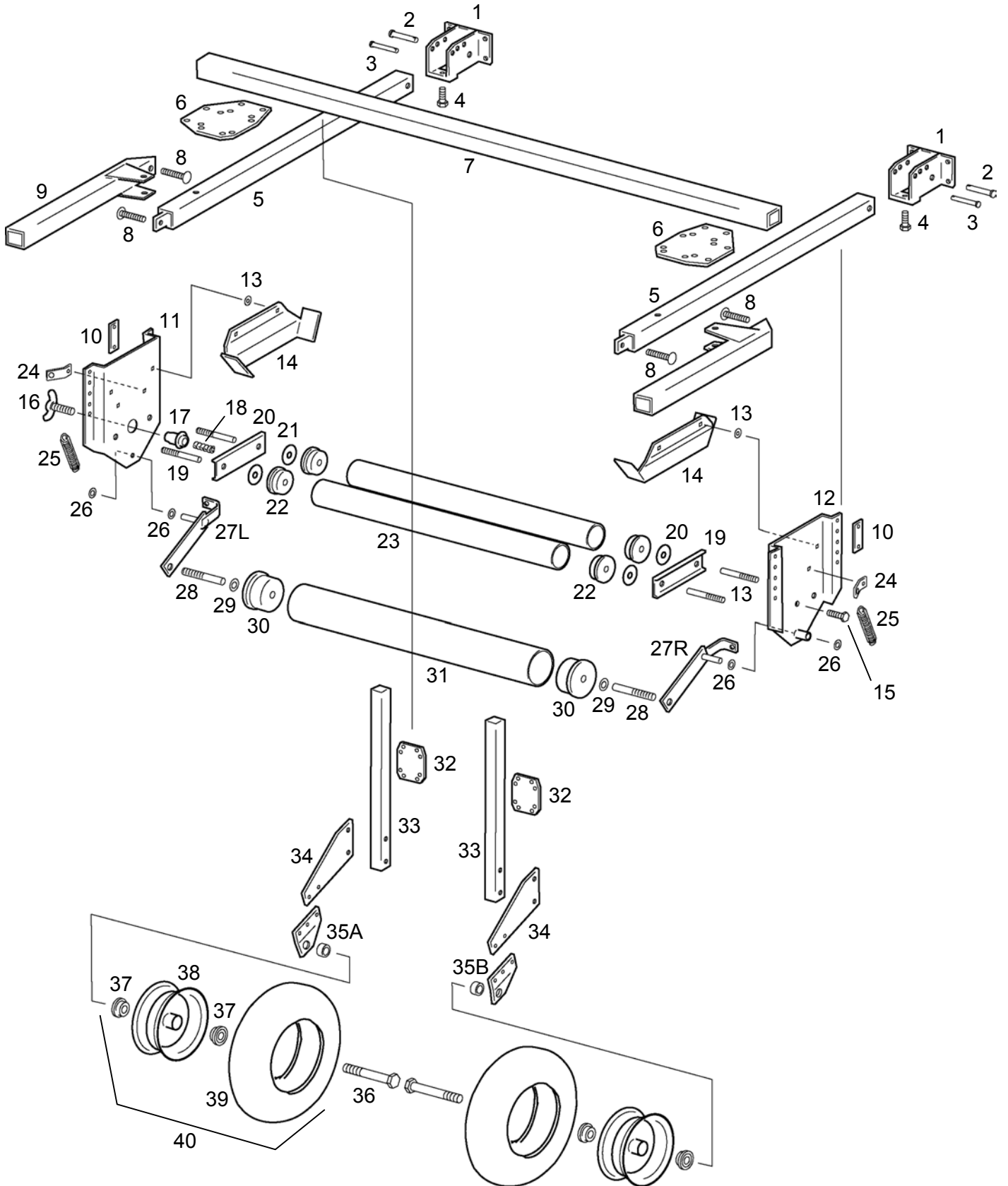
PARTS LIST



PARTS LIST

Ref	Quan	Part No	Description	Price
	1	19221	Bed Height Completing Pkg - includes Ref 1 thru 3	_____
1	2	518-617	Adjustable Side Shield	_____
	4	510-750	Carriage Bolt, 3/8-16 x 1	_____
	4	511-194	Flat Washer, 3/8 USS	_____
	4	511-008	Hex Nut, 3/8-16	_____
2	1		Bag of Fasteners - to install Bed Height Pkg	_____
	6	511-197	Hex Capscrew, 3/8-16 x 1-1/4 - included	_____
	2	511-194	Flat Washer, 3/8 USS - included	_____
	6	511-108	Hex Nut, 3/8-16 - included	_____
3	8	511-343	Heavy Washer, 3/8 x 1-1/2 OD - included	_____
ADD (1) Bed Height Package to complete Shaper Pan Asby				
	1	19204	Bed Height Pkg for 4" bed height - includes Ref 4L, 4R	_____
4L	1	518-574	Furrow Shaper, 4" Left	_____
4R	1	518-584	Furrow Shaper, 4" Right	_____
	1	19205	Bed Height Pkg for 5" bed height - includes Ref 5L, 5R	_____
5L	1	518-575	Furrow Shaper, 5" Left	_____
5R	1	518-585	Furrow Shaper, 5" Right	_____
	1	19206	Bed Height Pkg for 6" bed height - includes Ref 6L, 6R	_____
6L	1	518-576	Furrow Shaper, 6" Left	_____
6R	1	518-586	Furrow Shaper, 6" Right	_____

PARTS LIST



PARTS LIST

Ref	Quan	Part No	Description	Price
1	2	517-298	Hinge Bracket	_____
	4	511-121	U-Bolt, 1/2-13 x 2sq x 3	_____
	8	511-051	Hex Nut, 1/2-13	_____
2	2	518-219	Clevis Pin, 5/8 x 2-3/4 Std	_____
	2	510-963	Cotter Pin, 5/32 x 1	_____
3	2	513-401	Clevis Pin, 1/2 x 2-3/4 Std	_____
	2	510-963	Cotter Pin, 5/32 x 1	_____
4	2	511-068	[Stop Screw] Hex Capscrew, 1/2-13 x 1-3/4	_____
	2	511-217	Hex Jam Nut, 1/2-13	_____
5	2	517-830	Side Toolbar	_____
6	2	517-771	D-Plate, 6-bolt w/ Alignment Pin	_____
	6	511-121	U-Bolt, 1/2-13 x 2sq x 3	_____
	12	511-051	Hex Nut, 1/2-13	_____
	2	510-812	Roll Pin, 1/4 x 1	_____
7	1	517-979	Toolbar, 2sq x 74 x 3/16w w/ Alignment Holes	_____
	6	511-121	U-Bolt, 1/2-13 x 2sq x 3	_____
	12	511-051	Hex Nut, 1/2-13	_____
8	4	516-053	[Adjustment Screw] Carriage Bolt, 1/2-13 x 2-1/2	_____
	4	511-217	Hex Nut, 1/2-13 Jam	_____
9	2	517-857	Rear Toolbar Extension	_____
	2	510-786	Hex Capscrew, 1/2-13 x 3-1/4	_____
	2	511-120	Hex Nut, 1/2-13 Nylock	_____
10	4	518-170	Spacer Plate	_____
11	1	518-157	Roll Carriage Bracket, Thumbscrew End	_____
	2	510-633	U-Bolt, 3/8-16 x 2sq x 3	_____
	4	511-008	Hex Nut, 3/8-16	_____
12	1	518-159	Roll Carriage Bracket, Centering Screw End	_____
	2	510-633	U-Bolt, 3/8-16 x 2sq x 3	_____
	4	511-008	Hex Nut, 3/8-16	_____
13	16	510-721	[Spacer Washer] Flat Washer, 3/8 Heavy Duty	_____
14	2	517-853	Centering Plate	_____
	4	510-747	Carriage Bolt, 3/8-16 x 1-1/2	_____
	2	511-008	Hex Nut, 3/8-16	_____
15	2	511-068	[Centering Screw] Hex Capscrew, 1/2-13 x 1-3/4	_____
	2	511-217	Hex Jam Nut, 1/2-13	_____
16	1	517-900	Thumbscrew	_____
17	1	517-901	Spring Socket	_____
18	1	517-856	Die Spring	_____

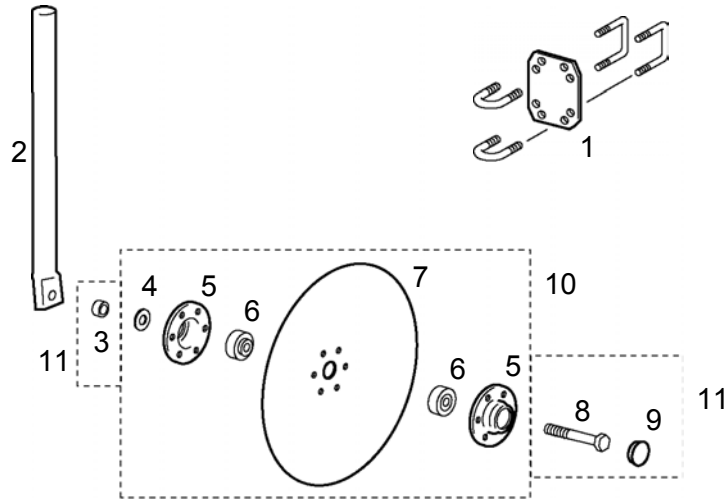
PARTS LIST

Ref	Quan	Part No	Description	Price
19	4	517-447	Roller Spindle, 1/2	_____
	8	511-051	Hex Nut, 1/2-13	_____
20	2	517-706	Brake Back Plate	_____
21	4	517-852	Brake Pad, 3/8 thick	_____
22	4	518-114	Roller End Bearing	_____
23	2	515-854	Roller Tube, 2 x 48 - shorten as needed - 2 x 60 available upon request	_____
24	2	516-117	Spring Bracket	_____
	2	510-749	Carriage Bolt, 3/8-16 x 3/4	_____
	2	511-008	Hex Nut, 3/8-16	_____
25	2	516-600	Spring	_____
26	4	511-184	[Pivot Washer] Flat Washer, 1/2 USS	_____
27L	1	518-185	Ground Roller Link, Left	_____
27R	1	518-186	Ground Roller Link, Right	_____
	2	510-963	Cotter Pin, 5/32 x 1	_____
28	2	515-856	Roller Spindle, 5/8	_____
	2	511-142	Hex Nut, 5/8-11	_____
	2	511-214	Hex Jam Nut, 5/8-11	_____
29	2	511-179	[Pivot Washer] Flat Washer, 5/8 SAE	_____
30	2	516-116	Roller End Bearing	_____
31	1	517-989	Roller Tube, 3 x 48 - shorten as needed - 2 x 60 available upon request	_____
32	2	517-292	D-Plate, 2 x 1-1/2	_____
	4	510-633	U-Bolt, 3/8-16 x 2sq x 3	_____
	8	511-008	Hex Nut, 3/8-16	_____
33	2	517-599	Tuck Wheel Shank	_____
	4	517-269	U-Bolt, 3/8-16 x 1-1/2sq x 2-1/2	_____
	8	511-008	Hex Nut, 3/8-16	_____
34	2	518-107	Tuck Wheel Arm	_____
	4	511-065	Hex Capscrew, 1/2-13 x 2-1/2	_____
	4	511-051	Hex Nut, 1/2-13	_____
35A	1	517-577	Reversible Flange, Side A	_____
35B	1	517-579	Reversible Flange, Side B	_____
	4	511-178	[Spacer] Flat Washer, 3/4 SAE	_____
	4	511-101	Hex Capscrew, 3/8-16 x 1	_____
	4	511-008	Hex Nut, 3/8-16	_____
36	2	511-052	[Pivot Bolt] Hex Capscrew, 1/2-13 x 3	_____
	2	511-120	Hex NyLock Nut, 1/2-12	_____
37	2	511-014	[Spindle Bolt] Hex Capscrew, 3/4-10 x 5	_____
	4	511-172	Hex Nut, 3/4-10	_____

PARTS LIST

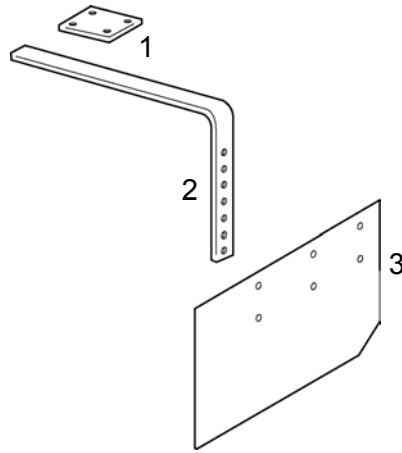
Ref	Quan	Part No	Description	Price
38	4	515-392	Bearing, 3/4 ID	_____
39	2	516-605	Wheel, 6 x 3-1/4	_____
	2	515-581	Valve Stem - included	_____
	2	514-286	Valve - included	_____
	2	514-287	Cap - included	_____
40	2	516-606	Tire, 400x6 Rib	_____
			Parts assembly w/ related fasteners	
41	2	516-604	Wheel Asby, 400x6	_____

PARTS LIST



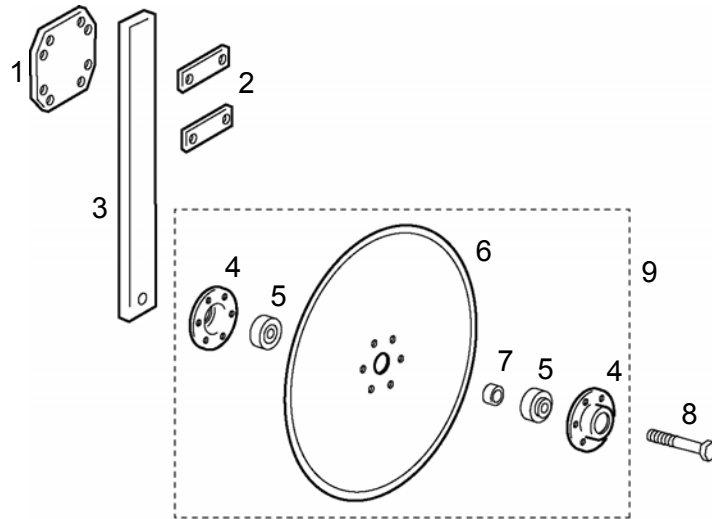
Ref	Quan	Part No	Description	Price
	2	17500	D-Clamp Asby, 2sq x 1-1/4rd - includes Ref 1	_____
1	2	517-501	D-Plate, 2 x 1-1/4	_____
	4	511-121	U-Bolt, 1/2-13 x 2sq x 3	_____
	4	510-714	U-Bolt, 1/2-13 x 1-1/4rd x 2-1/2	_____
	16	511-051	Hex Nut, 1/2-13	_____
	2	16093	Disk, 14" & Shank Asby - includes Ref 2 thru 9	_____
2	2	516-764	Shank	_____
3	2	516-765	Spacer, 1" OD x 5/8 ID x 1/2	_____
4	2	511-191	[Bearing Shield] Flat Washer, 9/16 USS	_____
5	4	517-869	Hub Flange	_____
	12	516-770	Hex Capscrew, 1/4-20 x 7/8	_____
	12	511-241	Hex Nut, 1/4-20 Nylock	_____
6	4	516-768	Ball Bearing, 204RY2, John Deere AA21480	_____
7	2	516-769	Disk Blade, 14"	_____
8	2	511-029	[Bearing Bolt] Hex Capscrew, 5/8-11 x 3-1/2	_____
	2	511-142	Hex Nut, 5/8-11	_____
9	2	517-870	Dust Cap	_____
			Parts assemblies w/ related fasteners	
10	2	518-894	Disk & Hub Asby	_____
11	2	16093FA	Parts for Final Assembly	_____

PARTS LIST



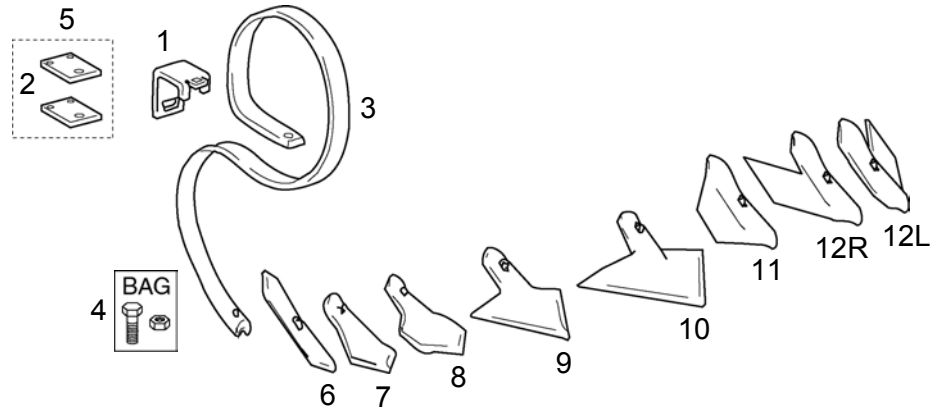
Ref	Quan	Part No	Description	Price
			OPTION	
	1	18160	Rear Shields - includes Ref 1 thru 3	_____
1	2	516-737	Clamp Plate	_____
	2	510-032	U-bolt, 3/8-16 x 2sq x 3	_____
	4	511-008	Hex Nut, 3/8-16	_____
2	2	518-465	Hanger	_____
3	2	518-466	Shield	_____
	4	511-101	Hex Capscrew, 3/8-16 x 1	_____
	4	511-108	Hex Nut, 3/8-16	_____

PARTS LIST



Ref	Quan	Part No	Description	Price
OPTION				
	2	19896	Guide Disk Asby - includes Ref 1 thru 8	_____
1	2	517-300	D-Plate, 2 x 2	_____
	4	511-121	U-Bolt, 1/2-13 x 2sq x 3	_____
	4	511-051	Hex Nut, 1/2-13	_____
2	2	518-122	Clamp Strap	_____
	4	511-065	Hex Capscrew, 1/2-13 x 2-1/2	_____
	4	511-051	Hex Nut, 1/2-13	_____
3	2	518-053	Shank	_____
4	4	518-846	Hub Flange	_____
	12	510-709	Hex Capscrew, 5/16-18 x 7/8	_____
	12	511-240	Hex NyLock Nut, 5/16-18	_____
5	4	517-919	Ball Bearing, 205RVA, John Deere A27002	_____
6	2	518-220	Coulter Blade, 18"	_____
7	2	518-828	Spacer, 1-1/8 OD x 3/4 ID x 0.390	_____
8	2	511-016	[Bearing Bolt] Hex Capscrew, 3/4-10 x 4	_____
	2	511-172	Hex Nut, 3/4-10	_____
Parts assembly w/ related fasteners				
9	2	519-472	Coulter & Hub Asby	_____

PARTS LIST



Ref	Quan	Part No	Description	Price
	5-7	13554	OPTION S-Tine, HD 7/16 x 1-1/4, & Clamp for 2sq on 1912-D quantity depends on application - parts for each listed below	
	1	13554	S-Tine, HD 7/16 x 1-1/4, & Clamp for 2sq - incl Ref 1 thru 4	_____
1	1	511-552	Tine Clamp - alternate with 517-605 and 20130	_____
	1	510-751	Hex Capscrew, 1/2-13 x 3-1/2	_____
	1	511-184	Flat Washer 1/2 SAE	_____
	1	511-051	Hex Nut, 1/2-13	_____
2	2	517-605	Tine Clamp Plate - alternate to 511-552	_____
	1	510-751	Hex Capscrew, 1/2-13 x 3-3/4	_____
	1	511-051	Hex Nut, 1/2-13	_____
	2	510-719	Hex Capscrew, 3/8-16 x 3-3/4	_____
	2	511-239	Hex NyLock Nut, 3/8-16	_____
3	1	512-843	S-Tine, HC 7/16 x 1-1/4	_____
4	1	99013FA	Bag of Fasteners - to install Shovel	_____
	1	510-798	Plow Bolt, 3/8-16 x 1-1/2 - included	_____
	1	511-194	Flat Washer, 3/8 USS - included	_____
	1	511-008	Hex Nut, 3/8-16 - included	_____
			Parts assembly w/ related fasteners	
5	1	20130	Tine Clamp Asby for 2sq - alternate to 511-552	_____

PARTS LIST

Ref	Quan	Part No	Description	Price
ADD (as needed) Shovel(s) to complete each S-Tine Asby				
6	1	511-555	Reversible Point, HD	_____
7	1	511-556	Shovel, 2-1/4 HD	_____
8	1	511-557	Shovel, 4 HD	_____
9	1	512-558	Shovel, 7 HD	_____
10	1	514-559	Shovel, 9 HD	_____
11	1	514-094	ShaperShovel	_____
12L	1	516-398	ShaperShovel, Left	_____
12R	1	516-399	ShaperShovel, Right	_____