



**BUCKEYE TRACTOR CO**

**Parts List**

Model 2212-D  
**BEDDER-LAYER COMBO**

Version E15 • Serial No. 5330100 • Effective 1-1-15

Serial No: \_\_\_\_\_ Date Received: \_\_\_ / \_\_\_ / \_\_\_

Purchased From: \_\_\_\_\_

Order / Invoice No: \_\_\_\_\_



**BUCKEYE TRACTOR CO**  
P.O.Box 97 • 11313 Slabtown Road • Columbus Grove, Ohio 45830 USA  
call 419-659-2162 • fax 419-659-2082  
buckeyetractor@bright.net • www.buctraco.com

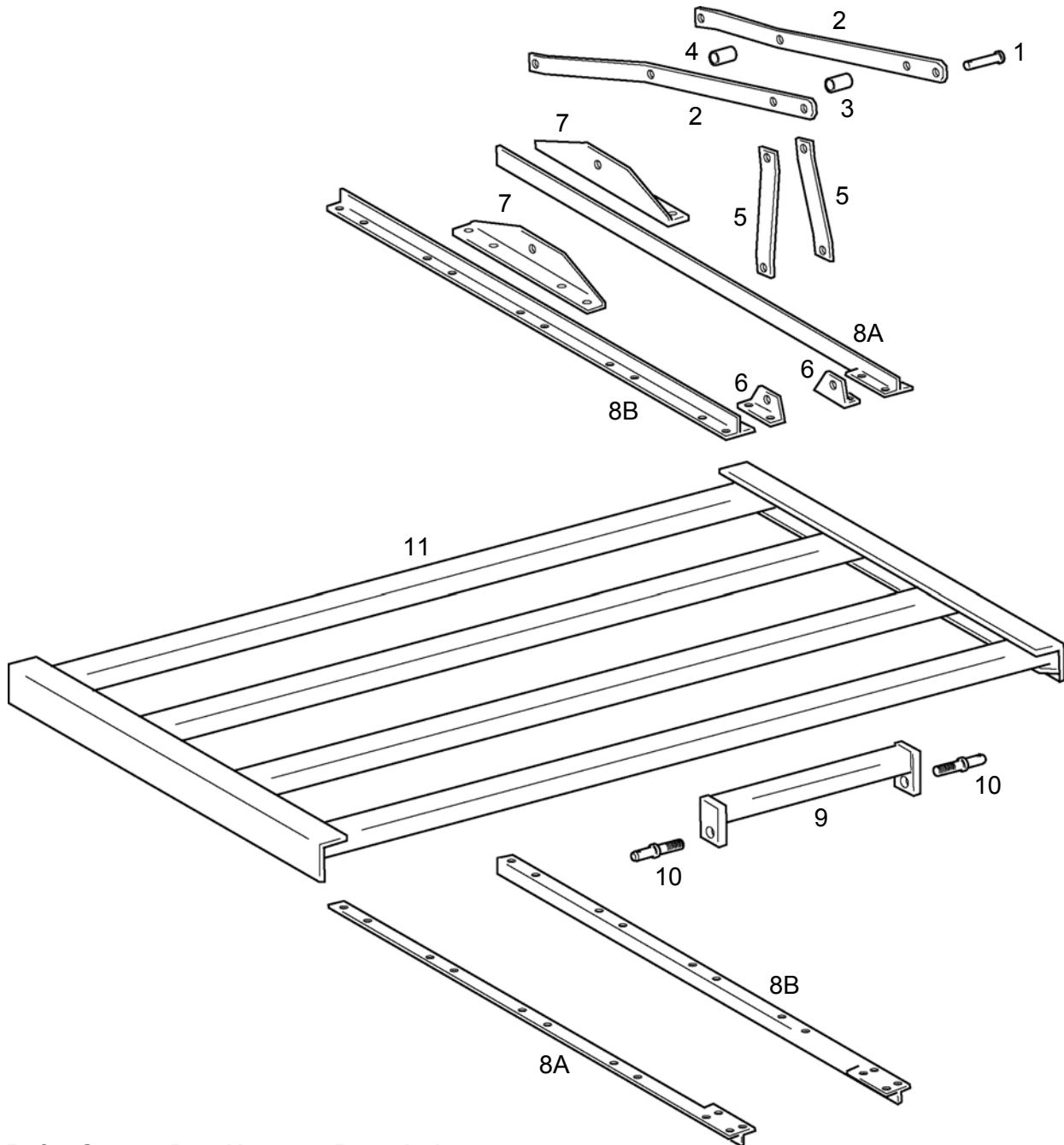
*YOUR PURCHASE INCLUDES COMPLETE AFTER-SALE SERVICE*

## GALLERY



*shown with optional rear gauge wheels*

# PARTS LIST



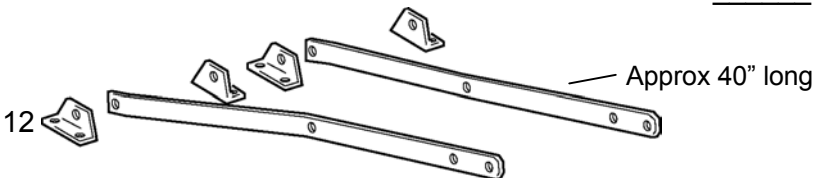
Ref	Quan	Part No	Description	Price
	1	<b>21524</b>	<b>Toolbar Hitch - includes Ref 1 thru 10</b>	_____
1	1	517-512	Hitch Pin, 3/4 x 3-1/4	_____
	1	511-354	Linch Pin, 1/4	_____

# PARTS LIST

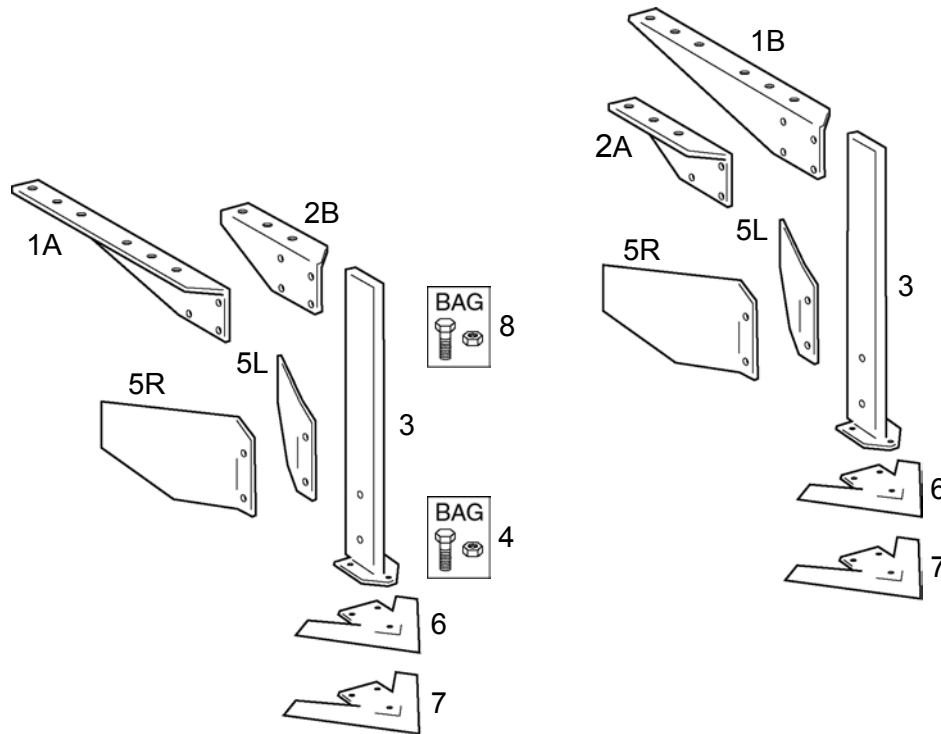
Ref	Quan	Part No	Description	Price
2	2	518-812	Top Hitch Bar	_____
	2	511-143	Hex Capscrew, 5/8-11 x 1-3/4	_____
	1	511-027	Hex Capscrew, 5/8-11 x 4-1/2	_____
	3	511-142	Hex Nut, 5/8-11	_____
3	1	512-425	Bushing, 1" OD x 5/8 ID x 2	_____
4	1	512-425	Bushing, 1" OD x 5/8 ID x 2	_____
	1	511-029	Hex Capscrew, 5/8-11 x 3-1/2	_____
	1	511-214	Hex Nut, 5/8-11 Jam	_____
5	2	518-811	A-Frame Support	_____
	2	510-996	Hex Capscrew, 5/8-11 x 1-1/4	_____
	2	511-142	Hex Nut, 5/8-11	_____
6	6	511-595	Anchor Bracket	_____
	2	511-121	U-Bolt, 1/2-13 x 2sq x 3	_____
	4	511-051	Hex Nut, 1/2-13	_____
7	2	518-803	Rear Anchor Bracket	_____
	4	511-121	U-Bolt, 1/2-13 x 2sq x 3	_____
	8	511-051	Hex Nut, 1/2-13	_____
8A	2	519-126	Hitch Clamp Bar, 4-bar Side A	_____
8B	2	519-127	Hitch Clamp Bar, 4-bar Side B	_____
	16	510-786	Hex Capscrew, 1/2-13 x 3-1/4	_____
	16	511-051	Hex Nut, 1/2-13	_____
9	1	515-847	Lower Hitch Crossbar	_____
	8	510-786	Hex Capscrew, 1/2-13 x 3-1/4	_____
	8	511-051	Hex Nut, 1/2-13	_____
10	2	511-652	Anchor Pin	_____
	2	511-243	Hex Nut, 7/8-14	_____
	2	511-362	Linch Pin, 7/16	_____
			<b>ADD (1) Toolbar Frame to Toolbar Hitch</b>	
11	1	20034-084	Toolbar Frame, 2sq x 4-bar x 84 x 3/16w - standard on 2212-D	_____

**EARLY PARTS** - retrofit unreferenced parts with current parts

12	4	511-595	Hitch Anchor Bracket	_____
----	---	---------	----------------------	-------



# PARTS LIST

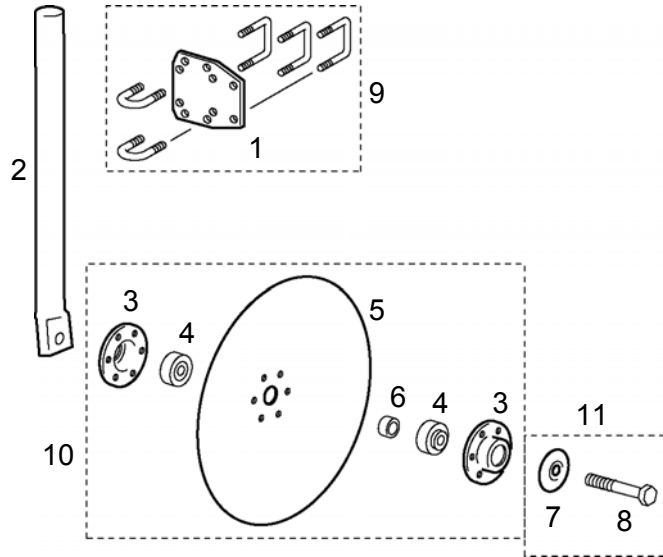


Ref	Quan	Part No	Description	Price
	1	20326	<b>Furrow Shank Asby, 1-1/4 x 3, L&amp;R for 2-bar x 2sq - includes Ref 1 thru 4</b>	_____
1A	1	517-615	Shank Half Bracket, 2-bar Side A	_____
1B	1	517-616	Shank Half Bracket, 2-Bar Side B	_____
	4	511-121	U-bolt, 1/2-13 x 2sq x 3	_____
	8	511-051	Hex Nut, 1/2-13	_____
2A	1	517-613	Shank Half Bracket, Side A	_____
2B	1	517-614	Shank Half Bracket, Side B	_____
	2	511-121	U-bolt, 1/2-13 x 2sq x 3	_____
	4	511-051	Hex Nut, 1/2-13	_____
3	2	517-526	Furrow Shank, 1-1/4 x 3	_____
	4	516-518	Shear Bolt, 1/2-13 x 2-1/2	_____
	4	511-065	Hex Capscrew, 1/2-13 x 2-1/2	_____
	8	511-051	Hex Nut, 1/2-13	_____
4	1	99022FA	Bag of Fasteners - to install Flat-Mount Shovel	_____
	6	511-101	Hex Capscrew, 3/8-16 x 1 - included	_____
	6	511-008	Hex Nut, 3/8-16 - included	_____

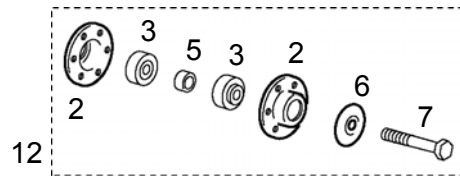
# PARTS LIST

Ref	Quan	Part No	Description	Price
5L	2	517-556	Furrow Wing, Left	_____
5R	2	517-557	Furrow Wing, Right	_____
	4	511-066	Hex Capscrew, 1/2-12 x 2-1/4	_____
	4	511-051	Hex Nut, 1/2-13	_____
<b>ADD (1) Shovel to complete Furrow Shank Asby</b>				
	2	517-817	Flat-Mount Shovel, 7"	_____
6	2	517-836	Flat-Mount Shovel, 10"	_____
7	2	518-837	Flat-Mount Shovel, 12"	_____
<b>Parts assembly w/ related fasteners</b>				
8	1	99002FA	Bag of Shear Bolts	_____
	6	516-518	Shear Bolts, 1/2-13 x 2-1/2 - included	_____
	6	511-051	Hex Nut, 1/2-13 - included	_____

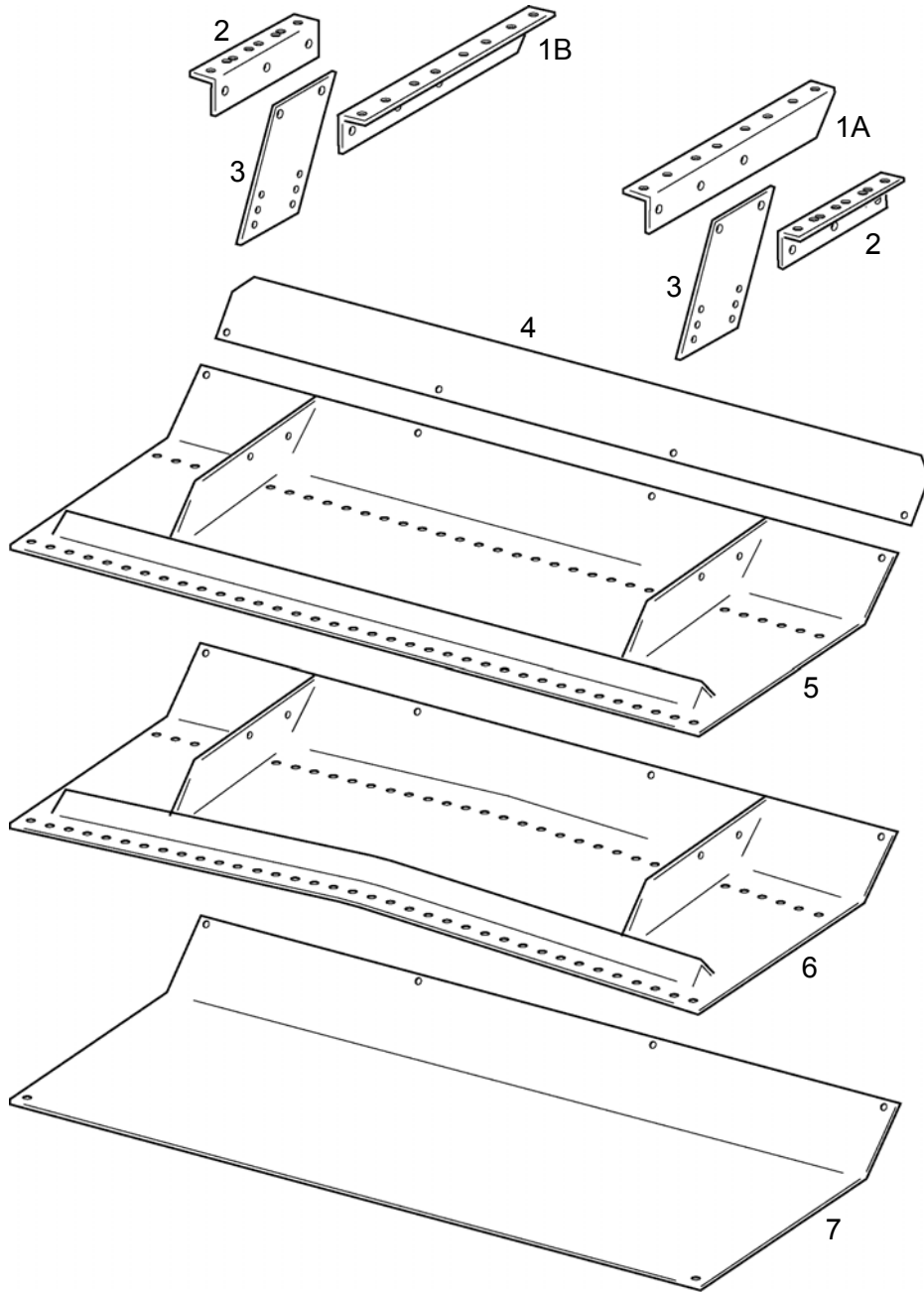
# PARTS LIST



Ref	Quan	Part No	Description	Price
	<b>2</b>	<b>20116</b>	<b>Disk, 16", Shank &amp; Clamp for 2sq - includes Ref 1 thru 8</b>	_____
1	2	518-438	D5-Plate, 2 x 1-1/2	_____
	6	511-121	U-Bolt, 1/2-13 x 2sq x 3	_____
	4	510-718	U-Bolt, 1/2-13 x 1-1/2rd x 2-3/4	_____
	20	511-051	Hex Nut, 1/2-13	_____
2	2	517-837	Shank	_____
3	4	518-846	Hub Flange	_____
	12	510-709	Hex Capscrew, 5/16-18 x 7/8	_____
	12	511-240	Hex Nut, 5/16-18 Nylock	_____
4	4	517-919	Ball Bearing, 205RVA, John Deere A27002	_____
5	2	517-910	Disk Blade, 16"	_____
6	2	518-849	Spacer, 1-1/8 OD x 3/4 ID x 0.350	_____
7	2	518-848	Dust Cover	_____
8	2	510-975	[Bearing Bolt] Hex Capscrew, 3/4-10 x 3-3/4	_____
	2	511-172	Hex Nut, 3/4-10	_____
			<b>Parts assemblies w/ related fasteners</b>	
9	2	20155R	D5-Clamp Asby, 2sq x 1-1/2rd	_____
10	2	519-296	Disk & Hub Asby	_____
11	2	19116FA	Parts for Final Assembly	_____
12	2	519-216	Complete Hub Asby	_____



# PARTS LIST

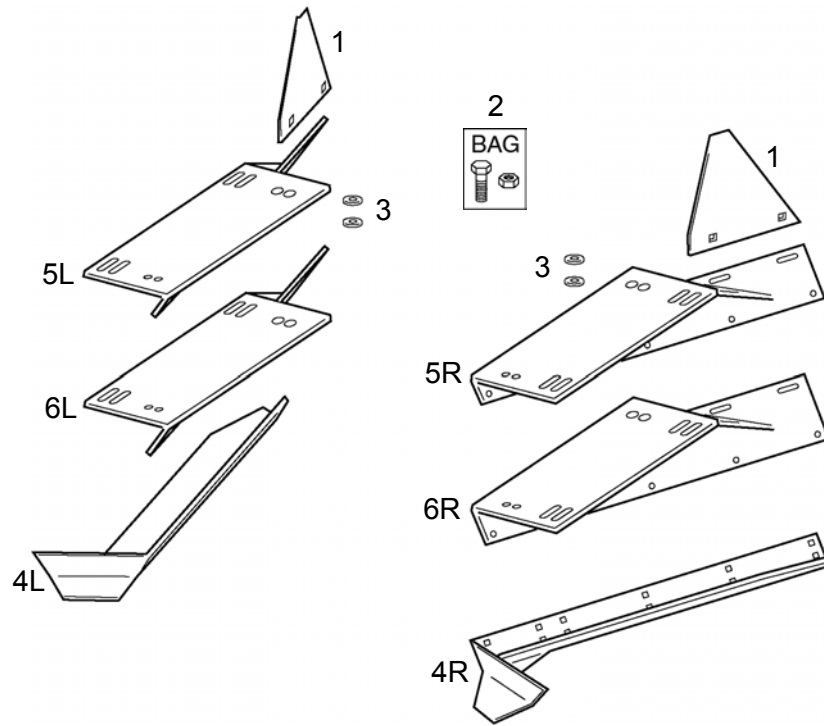




# PARTS LIST

Ref	Quan	Part No	Description	Price
	<b>1</b>	<b>20417</b>	<b>Shaper Pan Asby - includes Ref 1 thru 5</b>	_____
1A	1	517-504	Mounting Bracket, Side A	_____
1B	1	517-505	Mounting Bracket, Side B	_____
	4	511-121	U-Bolt, 1/2-13 x 2sq x 3	_____
	8	511-051	Hex Nut, 1/2-13	_____
2	2	517-513	Mounting Bracket, Reversible	_____
	2	511-121	U-Bolt, 1/2-13 x 2sq x 3	_____
	4	511-051	Hex Nut, 1/2-13	_____
3	2	517-507	Shaper Pan Leg	_____
	4	511-156	Hex Capscrew, 5/8-11 x 1-1/2	_____
	4	511-142	Hex Nut, 5/8-11	_____
4	1	521-772	Front Shield, 72"	_____
	4	511-071	Hex Capscrew, 1/2-13 x 1-1/4	_____
	4	511-184	Flat Washer, 1/2 SAE	_____
	4	511-051	Hex Nut, 1/2-13	_____
5	1	522-472	Shaper Pan, 72"	_____
	4	511-070	Hex Capscrew, 1/2-13 x 1-1/4	_____
	4	511-051	Hex Nut, 1/2-13	_____
			<b>OPTION</b>	
	<b>1</b>	<b>17316A</b>	<b>Crowned Shaper Pan Pkg - includes Ref 6, replaces Ref 5</b>	_____
6	1	526-672	Crowned Shaper Pan, 72"	_____
			<b>OPTION</b>	
			<b>Shaper Pan Poly Liner</b>	
7	1	522-772	Shaper Pan Poly Liner, 72"	_____
7	1	524-872	Crowned Shaper Pan Poly Liner, 72"	_____

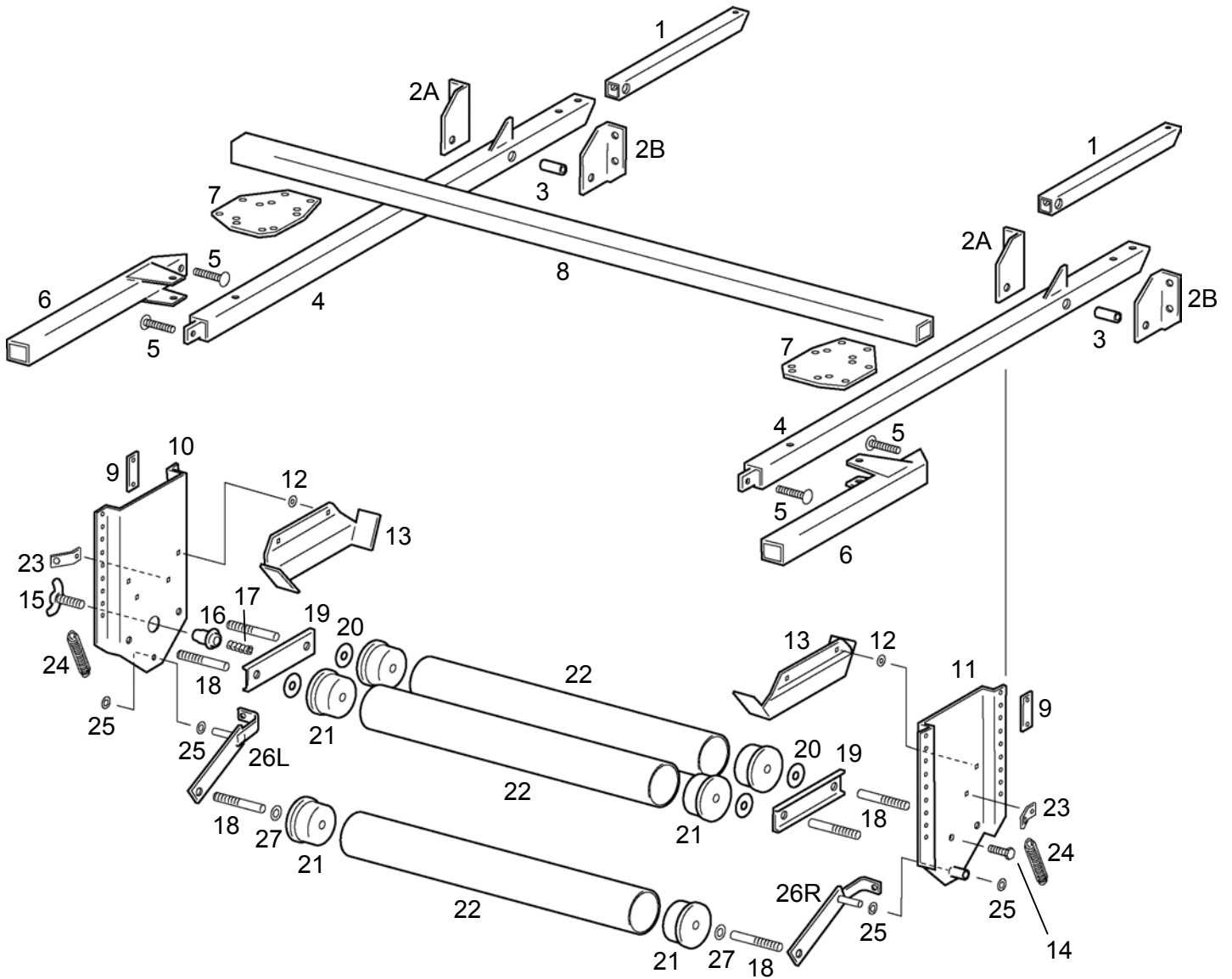
# PARTS LIST



# PARTS LIST

Ref	Quan	Part No	Description	Price
	<b>1</b>	<b>519-322</b>	<b>Bed Height Completing Pkg - includes Ref 1 thru 4</b>	_____
1	2	518-617	Adjustable Side Shield	_____
	4	510-750	Carriage Bolt, 3/8-16 x 1	_____
	4	511-194	Flat Washer, 3/8 USS	_____
	4	511-008	Hex Nut, 3/8-16	_____
2	1		Bag of Fasteners - to install Bed Height Pkg	_____
	2	511-069	Hex Capscrew, 1/2-13 x 1-1/2 - included	_____
	6	511-070	Hex Capscrew, 1/2-13 x 1-1/4 - included	_____
	4	511-184	Flat Washer, 1/2 SAE - included	_____
	8	511-051	Hex Nut, 1/2-13 - included	_____
3	4	512-057	Heavy Washer, 1/2 x 1-1/2 OD - included	_____
4L	1	518-618	Furrow Shoe & Wing, Left	_____
4R	1	518-619	Furrow Shoe & Wing, Right	_____
	12	510-750	Carriage Bolt, 3/8-16 x 1	_____
	12	511-008	Hex Nut, 3/8-16	_____
<b>ADD (1) Bed Height Package to complete Shaper Pan Asby</b>				
	<b>1</b>	<b>519-302</b>	<b>Bed Height Pkg, 2" base for 4" adjustable bed height - includes Ref 5L, 5R</b>	_____
5L	1	518-652	Furrow Shaper, 2" Base Left	_____
5R	1	518-662	Furrow Shaper, 2" Base Right	_____
	<b>1</b>	<b>519-303</b>	<b>Bed Height Pkg, 3" Base for 5" or 6" adjustable bed height - includes Ref 6L, 6R</b>	_____
6L	1	518-653	Furrow Shaper, 3" Base Left	_____
6R	1	518-663	Furrow Shaper, 3" Base Right	_____

# PARTS LIST



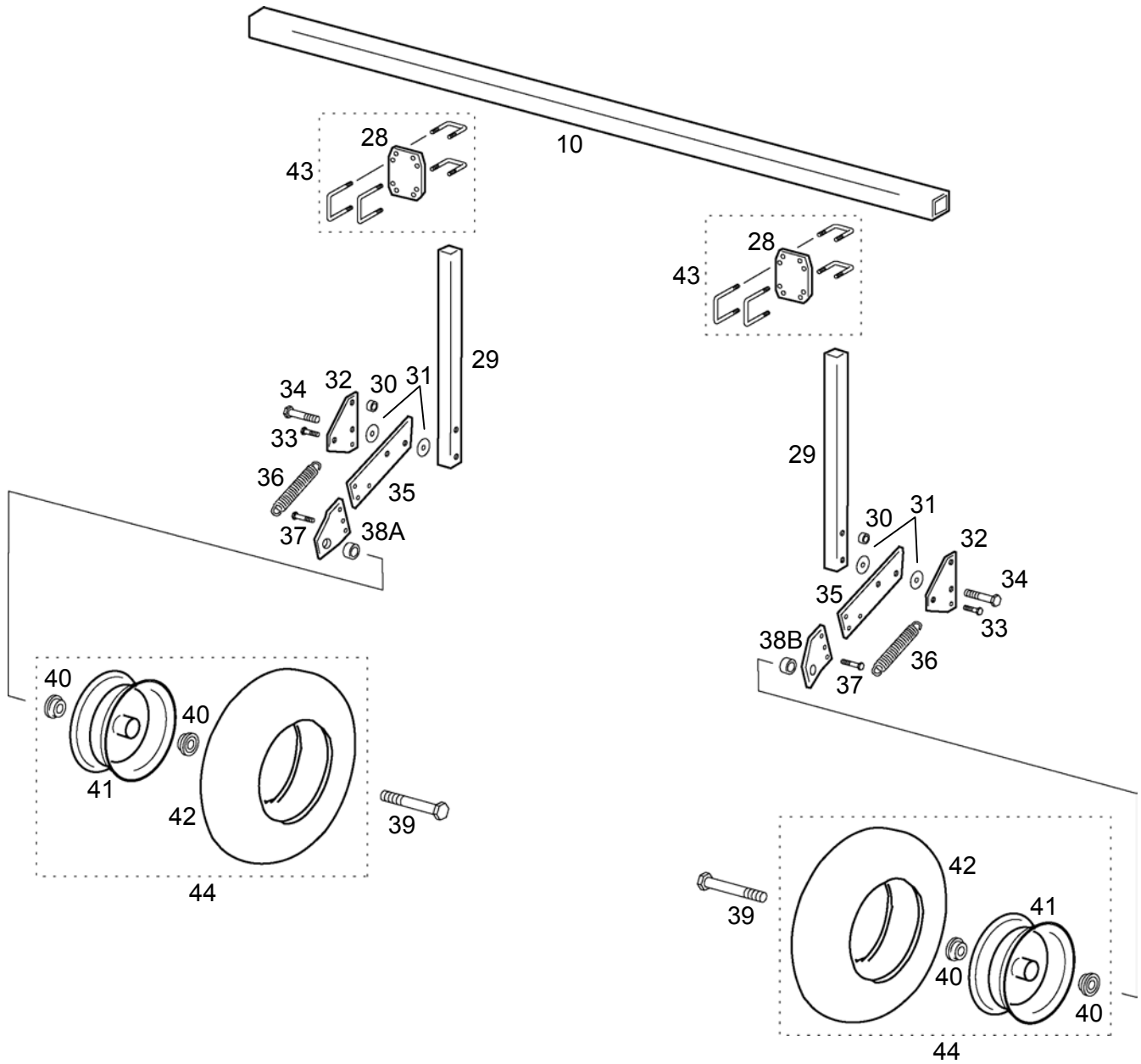
# PARTS LIST

Ref	Quan	Part No	Description	Price
1	2	519-689	Stop Extension	_____
2A	2	519-721	Hinge Bracket, Side A	_____
2B	2	519-722	Hinge Bracket, Side B	_____
	4	511-121	U-Bolt, 1/2-13 x 2sq x 3	_____
	8	511-051	Hex Nut, 1/2-13	_____
3	2	519-692	Bushing, 1 OD x 5/8 ID x 2-1/4	_____
	2	511-029	Hex Capscrew, 5/8-11 x 3-1/2	_____
	2	511-142	Hex Nut, 5/8-11	_____
4	2	519-720	Side Toolbar	_____
5	4	516-053	[Adjustment Screw] Carriage Bolt, 1/2-13 x 2-1/2	_____
	4	511-217	Hex Nut, 1/2-13 Jam	_____
6	2	517-857	Rear Toolbar Extension	_____
	2	510-786	Hex Capscrew, 1/2-13 x 3-1/4	_____
	2	511-120	Hex Nut, 1/2-13	_____
7	2	517-771	D6-Plate, 2 x 2 w/ Alignment Holes	_____
	6	511-121	U-Bolt, 1/2-13 x	_____
	12	511-051	Hex Nut,	_____
	2	510-812	Roll Pin,	_____
8	1	20031-H84	Toolbar, 2sq x 84 x 3/16w w/ Alignment Holes	_____
	6	511-121	U-Bolt, 1/2-13 x 2sq x 3	_____
	12	511-051	Hex Nut, 1/2-13	_____
9	4	518-170	Spacer Plate	_____
10	1	518-167	Roll Carriage Bracket, Thumbscrew End	_____
	2	510-633	U-Bolt, 3/8-16 x 2sq x 3	_____
	4	511-008	Hex Nut, 3/8-16	_____
11	1	518-169	Roll Carriage Bracket, Centering Screw End	_____
	2	516-033	U-Bolt, 3/8-16 x 2sq x 3	_____
	4	511-008	Hex Nut, 3/8-16	_____
12	16	510-721	[Spacer Washer] Flat Washer, 3/8 Heavy Duty	_____
13	2	517-853	Centering Plate	_____
	4	510-748	Carriage Bolt 3/8-16 x 1-1/4	_____
	4	511-008	Hex Nut, 3/8-16	_____
14	1	511-068	[Centering Screw] Hex Capscrew, 1/2-13 x 1-3/4	_____
	1	511-217	Hex Jam Nut, 1/2-13	_____
15	1	517-900	[Thumbscrew] Hex Capscrew, 5/8-11 x 1-1/2	_____
16	1	517-901	Spring Socket	_____
17	1	517-856	Die Spring	_____
18	6	515-856	Roller Spindle	_____
	12	511-142	Hex Nut, 5/8-11	_____
19	2	517-663	Brake Back Plate	_____

## PARTS LIST

Ref	Quan	Part No	Description	Price
20	4	517-858	Brake Pad	_____
21	6	516-116	Roller End Bearing	_____
22	3	518-018	Roller Tube, 3 x 60 - shorten as needed - 66" available upon request	_____
23	2	516-117	Spring Bracket	_____
	2	510-749	Carriage Bolt, 3/8-16 x 3/4	_____
	2	511-008	Hex Nut, 3/8-16	_____
24	2	516-600	Spring	_____
25	4	511-184	[Pivot Washer] Flat Washer, 1/2 USS	_____
26L	1	518-185	Ground Roller Link, Left	_____
26R	1	518-186	Ground Roller Link, Right	_____
	2	510-963	Cotter Pin, 5/32 x 1	_____
27	2	511-179	[Thrust Washer] Flat Washer, 5/8 SAE	_____

# PARTS LIST

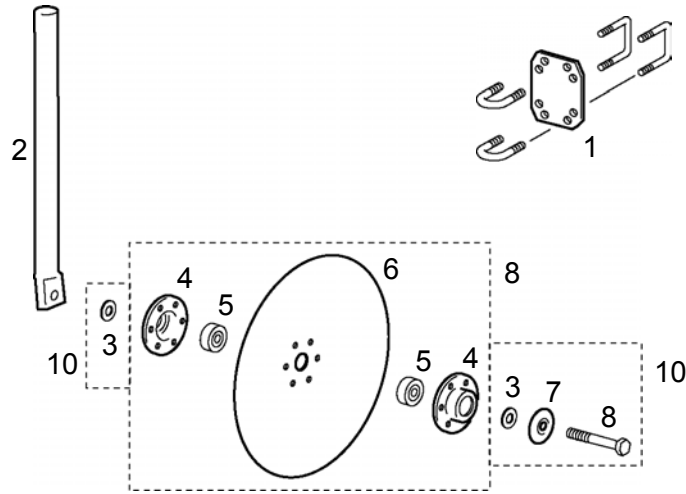


# PARTS LIST

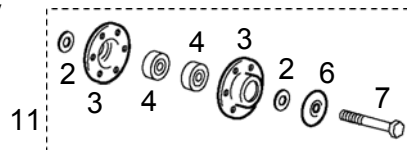
Ref	Quan	Part No	Description	Price
28	2	517-292	D-Plate, 2 x 1-1/2	_____
	4	510-633	U-Bolt, 3/8-16 x 2sq x 3	_____
	4	510-629	U-Bolt, 3/8-16 x 1-1/2sq x 2-1/2	_____
	16	511-008	Hex Nut, 3/8-16	_____
29	2	517-599	Tuck Wheel Shank	_____
30	2	516-337	[Spacer] Shaft Collar, 1/2	_____
31	4	517-868	Pivot Shim Washer	_____
32	2	517-529	Pivot Support Plate	_____
	2	511-064	Hex Capscrew, 1/2-13 x 2-3/4	_____
	2	511-051	Hex Nut, 1/2-13	_____
33	2	511-114	[Spring Anchor Stud] Hex Capscrew 5/16-18 x 1-1/2	_____
	4	511-009	Hex Nut, 5/16-18	_____
34	2	511-052	[Pivot Bolt] Hex Capscrew, 1/2-13 x 3	_____
	2	511-120	Hex NyLock Nut, 1/2-12	_____
35	2	517-571	Tuck Wheel Link	_____
	2	511-070	Hex Capscrew, 1/2-13 x 1-1/4 - use if preferred	_____
	2	511-051	Hex Nut, 1/2-13 - use if preferred	_____
36	2	516-600	Spring	_____
37	2	511-112	[Spring Anchor Stud] Hex Capscrew 5/16-18 x 2	_____
	4	511-009	Hex Nut, 5/16-18	_____
38A	1	517-577	Reversible Flange, Side A	_____
38B	1	517-579	Reversible Flange, Side B	_____
	4	511-178	[Spacer] Flat Washer, 3/4 SAE	_____
	4	511-101	Hex Capscrew, 3/8-16 x 1	_____
	4	511-008	Hex Nut, 3/8-16	_____
39	2	511-014	[Spindle Bolt] Hex Capscrew, 3/4-10 x 5	_____
	4	511-172	Hex Nut, 3/4-10	_____
40	4	515-392	Bearing, 3/4 ID	_____
41	2	516-605	Wheel, 6 x 3-1/4	_____
	2	515-581	Valve Stem - included	_____
	2	514-286	Valve - included	_____
	2	514-287	Cap - included	_____
42	2	516-606	Tire, 400x6 Rib	_____
			<b>Parts assemblies w/ related fasteners</b>	
43	2	20154C	D-Clamp Asby, 2sq x 1-1/2sq	_____
44	2	516-604	Wheel Asby, 400x6	_____



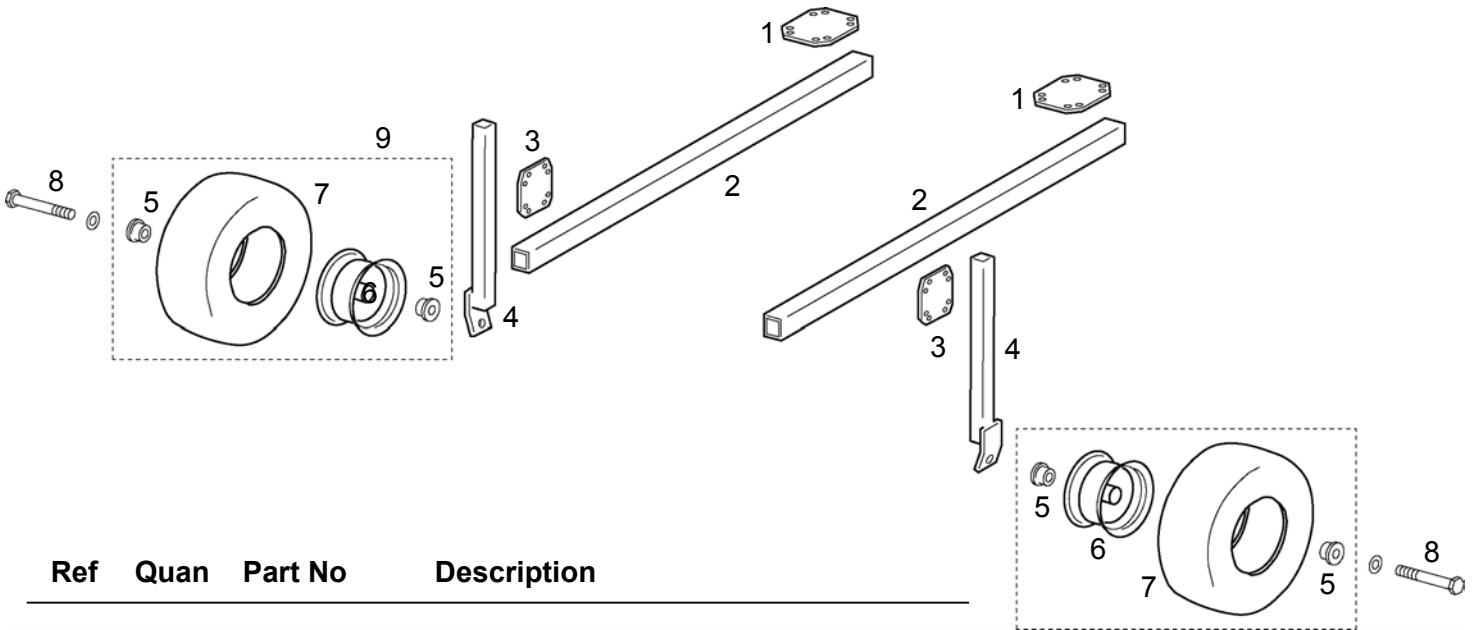
# PARTS LIST



Ref	Quan	Part No	Description	Price
1	2	<b>20124E</b>	<b>D-Clamp Asby, 2sq x 1-1/4rd - includes Ref 1</b>	_____
	2	517-501	D-Plate, 2 x 1-1/4	_____
	4	511-121	U-Bolt, 1/2-13 x 2sq x 3	_____
	4	510-714	U-Bolt, 1/2-13 x 1-1/4rd x 2-1/2	_____
	16	511-051	Hex Nut, 1/2-13	_____
2	2	<b>19114</b>	<b>Disk, 14" &amp; Shank Asby - includes Ref 2 thru 8</b>	_____
	2	516-764	Shank	_____
	3	511-179	[Spacer] Flat Washer, 5/8 SAE	_____
	4	518-845	Hub Flange	_____
	12	516-770	Hex Capscrew, 1/4-20 x 7/8 Grade 8	_____
	12	511-241	Hex Nut, 1/4-20 Nylock	_____
	5	516-768	Ball Bearing, 204RY2, John Deere AA21480	_____
	6	516-769	Disk Blade, 14"	_____
	7	518-847	Dust Cover	_____
	8	510-744	[Bearing Bolt] Hex Capscrew, 5/8-11 x 3-1/4	_____
	2	511-142	Hex Nut, 5/8-11	_____
9	2	518-894	<b>Parts assemblies w/ related parts</b> Disk & Hub Asby	_____
	10	19114FA	Parts for Final Assembly	_____
	11	519-214	Complete Hub Asby	_____

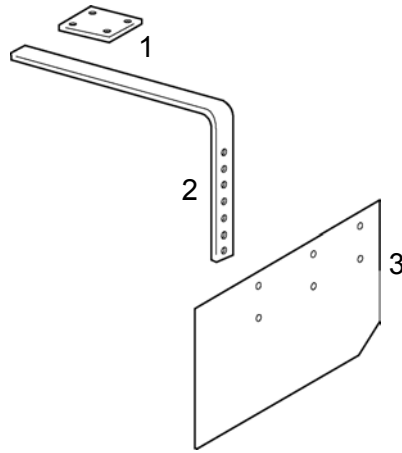


# PARTS LIST



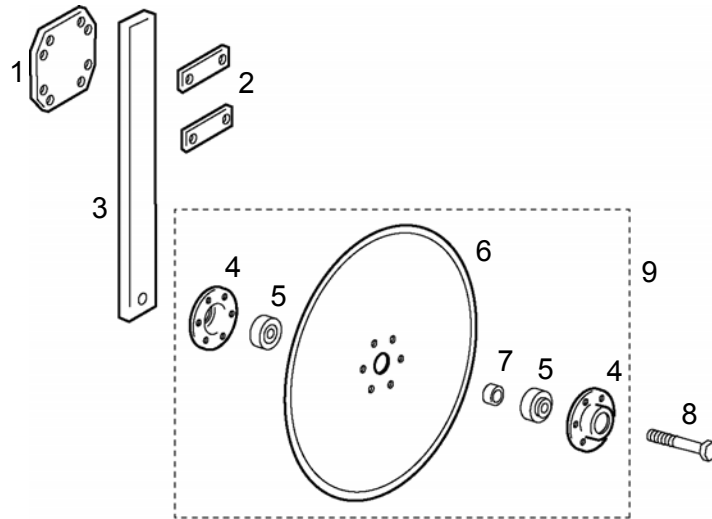
Ref	Quan	Part No	Description
<b>OPTION</b>			
	1	20451	<b>Rear Gauge Wheel Pkg - includes Ref 1 thru 8</b>
1	2	517-300	D-Plate, 2 x 2
	4	511-121	U-Bolt, 1/2-13 x 2sq x 3
	8	511-051	Hex Nut, 1/2-13
2	2	515-974	Short Toolbar, 2sq x 48 x 3/16w
	4	511-121	U-Bolt, 1/2-13 x 2sq x 3
	8	511-051	Hex Nut, 1/2-13
3	2	517-292	D-Plate, 2 x 1-1/2
	4	516-033	U-Bolt, 3/8-16 x 2sq x 3
	8	511-008	Hex Nut, 3/8-16
4	2	517-297	Rigid Wheel Shank
	4	517-269	U-Bolt, 3/8-16 x 1-1/2sq x 2-1/2
	8	511-008	Hex Nut, 3/8-16
5	2	515-392	Bearing, 3/4 ID
6	2	517-812	Wheel, 6 x 4-1/2
	2	515-581	Valve Stem - included
	2	514-287	Cap - included
	2	514-286	Valve - included
7	2	517-818	Tire, 13x650-6 Rib
8	2	511-014	[Spindle Bolt] Hex Capscrew, 3/4-10 x 5
	4	511-172	Hex Nut, 3/4-10
<b>Parts assembly w/ related fasteners</b>			
9	2	17813	Wheel Assembly, 13x650-6

# PARTS LIST



Ref	Quan	Part No	Description	Price
			<b>OPTION</b>	
	<b>1</b>	<b>20160</b>	<b>Rear Shields - includes Ref 1 thru 3</b>	_____
1	2	516-737	Clamp Plate	_____
	2	510-032	U-bolt, 3/8-16 x 2sq x 3	_____
	4	511-008	Hex Nut, 3/8-16	_____
2	2	518-465	Hanger	_____
3	2	518-466	Shield	_____
	4	511-101	Hex Capscrew, 3/8-16 x 1	_____
	4	511-108	Hex Nut, 3/8-16	_____

# PARTS LIST



Ref	Quan	Part No	Description	Price
<b>OPTION</b>				
	<b>2</b>	<b>20596</b>	<b>Guide Disk Asby - includes Ref 1 thru 8</b>	_____
1	2	517-300	D-Plate, 2 x 2	_____
	4	511-121	U-Bolt, 1/2-13 x 2sq x 3	_____
	4	511-051	Hex Nut, 1/2-13	_____
2	2	518-122	Clamp Strap	_____
	4	511-065	Hex Capscrew, 1/2-13 x 2-1/2	_____
	4	511-051	Hex Nut, 1/2-13	_____
3	2	518-053	Shank	_____
4	4	518-846	Hub Flange	_____
	12	510-709	Hex Capscrew, 5/16-18 x 7/8	_____
	12	511-240	Hex NyLock Nut, 5/16-18	_____
5	4	517-919	Ball Bearing, 205RVA, John Deere A27002	_____
6	2	518-220	Coulter Blade, 18"	_____
7	2	518-828	Spacer, 1-1/8 OD x 3/4 ID x 0.390	_____
8	2	511-016	[Bearing Bolt] Hex Capscrew, 3/4-10 x 4	_____
	2	511-172	Hex Nut, 3/4-10	_____
<b>Parts assembly w/ related fasteners</b>				
9	2	19472	Coulter & Hub Asby	_____