



**BUCKEYE TRACTOR CO**

## **Parts List**

**Model 1923  
MULCH LAYER**

Version D05 • Serial No. 4132700 • Effective 1-27-05

Serial No: \_\_\_\_\_ Date Received: \_\_\_ / \_\_\_ / \_\_\_

Purchased From: \_\_\_\_\_

Invoice No: \_\_\_\_\_



**BUCKEYE TRACTOR CO**

**P.O.Box 97 • 11313 Slabtown Road • Columbus Grove, Ohio 45830 USA**

**call 419-659-2162 • fax 419-659-2082**

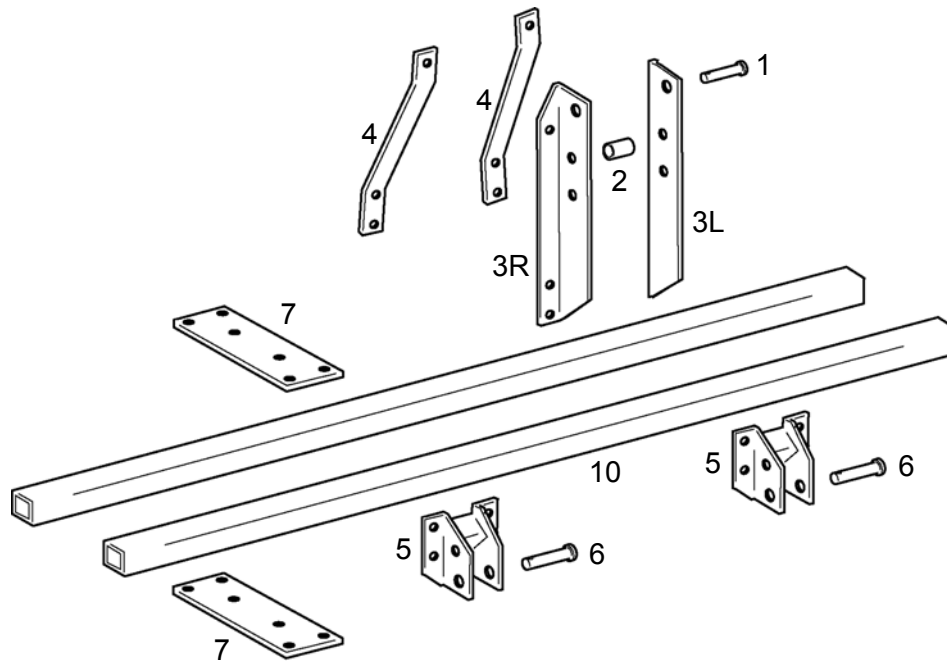
**buckeyetractor@bright.net • www.buctraco.com**

***YOUR PURCHASE INCLUDES COMPLETE AFTER-SALE SERVICE***

## GALLERY



# PARTS LIST



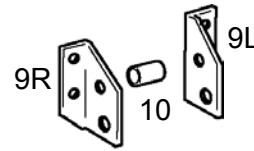
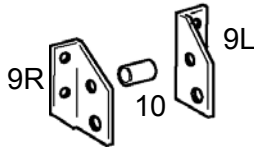
Ref	Quan	Part No	Description	Price
	<b>1</b>	<b>21232</b>	<b>Toolbar Hitch - includes Ref 1 thru 7</b>	
1	1	517-512	Hitch Pin, 3/4 x 3-1/4	
	1	511-354	Linch Pin, 1/4	
2	1	512-425	Bushing, 1" OD x 5/8 ID x 2	
	1	511-030	Hex Capscrew, 5/8-11 x 3	
	1	511-214	Hex Jam Nut, 5/8-11	
3L	1	516-111	Top Hitch Bracket, Left	
3R	1	516-112	Top Hitch Bracket, Right	
	2	511-121	U-Bolt, 1/2-13 x 2sq x 3	
	4	511-051	Hex Nut, 1/2-13	
4	2	517-620	Hitch Bracket Brace	
	2	511-121	U-Bolt, 1/2-13 x 2sq x 3	
	4	511-051	Hex Nut, 1/2-13	
5	2	518-039	Lower Hitch Bracket	
	4	511-121	U-Bolt, 1/2-13 x 2sq x 3	
	8	511-051	Hex Nut, 1/2-13	
6	2	517-514	Hitch Pin, 7/8 x 3-1/4	
	2	511-354	Linch Pin, 1/4	
7	4	517-400	Toolbar Spacer Plate, 2-bar x 6	
	12	511-052	Hex Capscrew, 1/2-13 x 3	
	12	511-051	Hex Nut, 1/2-13	

# PARTS LIST

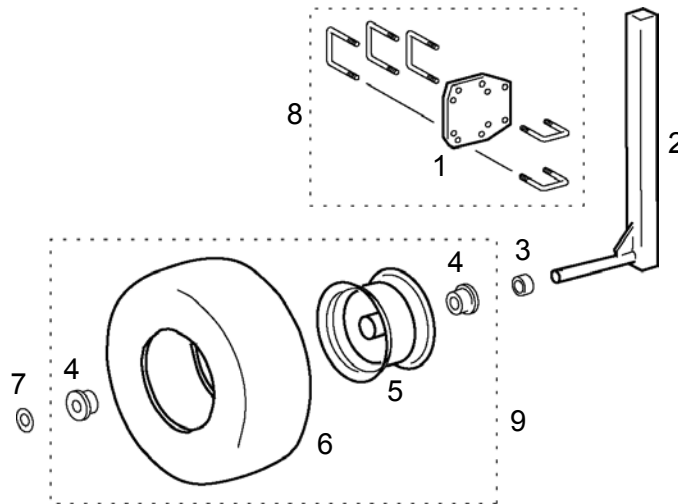
Ref	Quan	Part No	Description	Price
8	2	20030-074	<b>ADD (2) Toolbars to Toolbar Hitch</b> Toolbar, 2sq x 3-bar x 74 x 3/16 w - standard on 1923	_____

## EARLY PARTS

9L	2	516-109	Lower Hitch Bracket, Left	_____
9R	2	516-110	Lower Hitch Bracket, Right	_____
10	2	512-425	Bushing, 1od x 5/8id x 2	_____



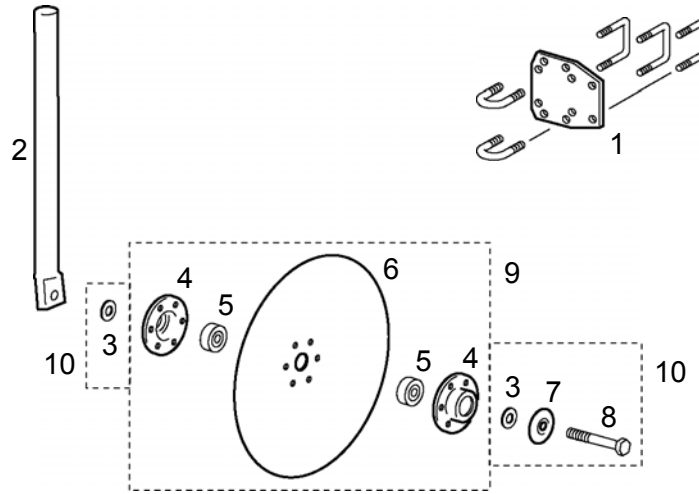
# PARTS LIST



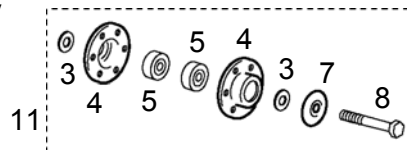
Ref	Quan	Part No	Description	Price
	1	17446	<b>Gauge Wheel Asby, 13x650-6, Pair for 2sq</b> <b>- includes Ref 1 thru 7</b>	_____
1	2	518-407	5D-Plate, 2 x 1-1/2	_____
	6	510-633	U-Bolt, 3/8-16 x 2sq x 3	_____
	4	510-629	U-Bolt, 3/8-16 x 1-1/2sq x 2-1/2	_____
	20	511-008	Hex Nut, 3/8-16	_____
2	2	515-862	Shank & Spindle	_____
3	2	516-338	Shaft Collar, 3/4	_____
4	4	515-392	Bearing, 3/4 ID Stamped	_____
5	2	517-812	Wheel, 6 x 4-1/2	_____
	2	515-581	Valve Stem - included	_____
	2	514-287	Cap - included	_____
	2	514-286	Valve - included	_____
6	2	517-818	Tire, 13x650-6 Rib	_____
	2	510-914	Cotter Pin, 1/4 x 1-1/4	_____
7	4	511-178	[Spindle Washer] Flat Washer, 3/4 SAE	_____
			<b>Parts assemblies w/ related fasteners</b>	
8	2	20155C	D5-Clamp Asby, 2sq x 1-1/2sq	_____
9	2	517-813	Wheel Assembly, 15x600-6	_____
			<b>Early parts</b>	
10	2	517-292	D-Plate, 2 x 1-1/2	_____



# PARTS LIST

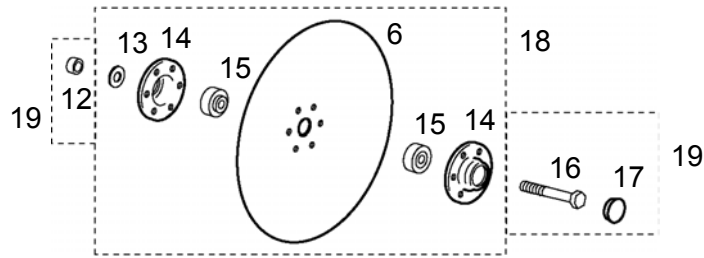


Ref	Quan	Part No	Description	Price
1	2	18500	<b>D5-Clamp Asby, 2sq x 1-1/4rd - includes Ref 1</b>	_____
	2	518-423	D5-Plate, 2 x 1-1/4	_____
	6	511-121	U-Bolt, 1/2-13 x 2sq x 3	_____
	4	510-718	U-Bolt, 1/2-13 x 1-1/2rd x 2-3/4	_____
	20	511-051	Hex Nut, 1/2-13	_____
2	2	19114	<b>Disk, 14" &amp; Shank Asby - includes Ref 2 thru 8</b>	_____
	2	516-764	Shank	_____
	3	511-179	[Spacer] Flat Washer, 5/8 SAE	_____
	4	518-845	Hub Flange	_____
	12	516-770	Hex Capscrew, 1/4-20 x 7/8 Grade 8	_____
	12	511-241	Hex Nut, 1/4-20 Nylock	_____
	5	516-768	Ball Bearing, 204RY2, John Deere AA21480	_____
	6	516-769	Disk Blade, 14"	_____
	7	518-847	Dust Cover	_____
	8	510-744	[Bearing Bolt] Hex Capscrew, 5/8-11 x 3-1/4	_____
2	511-142	Hex Nut, 5/8-11	_____	
<b>Parts assemblies w/ related fasteners</b>				
9	2	518-894	Disk & Hub Asby	_____
10	2	19114FA	Parts for Final Assembly	_____
11	2	519-214	Complete Hub Asby	_____

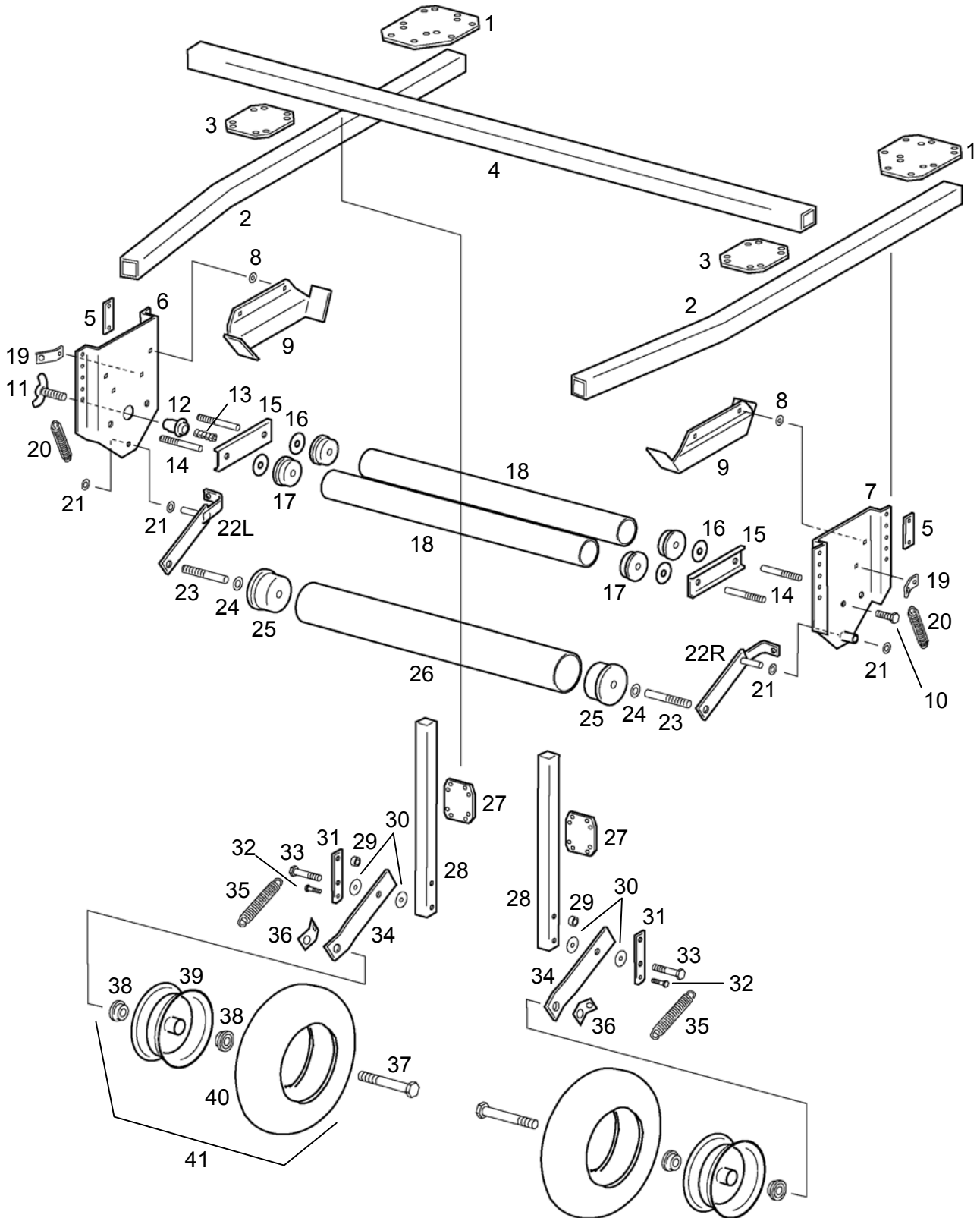


# PARTS LIST

Ref	Quan	Part No	Description	Price
<b>EARLY PARTS</b>				
		<b>16093</b>	<b>Disk, 14" &amp; Shank Asby</b>	
12	2	516-765	Spacer, 1" OD x 5/8 ID x 1/2	_____
13	2	511-191	[Bearing Shield] Flat Washer, 9/16 USS	_____
14	4	517-869	Hub Flange	_____
15	4	516-768	Ball Bearing, 204RY2, John Deere AA21480	_____
16	2	511-029	[Bearing Bolt] Hex Capscrew, 5/8-11 x 3-1/2	_____
17	2	517-870	Dust Cap	_____
<b>Early parts assemblies w/ related fasteners</b>				
18	2	518-894	Disk & Hub Asby	_____
19	2	19114FA	Parts for Final Assembly	_____



# PARTS LIST





# PARTS LIST

Ref	Quan	Part No	Description	Price
1	2	17771	6D-Plate, 2 x 2 w/ Alignment Holes	_____
	6	11121	U-Bolt, 1/2-13 x 2sq x 3	_____
	12	11051	Hex Nut, 1/2-13	_____
	2	10812	Roll Pin, 1/4 x 1	_____
2	2	18056	Side Toolbar	_____
	6	11121	U-Bolt, 1/2-13 x 2sq x 3	_____
	12	11051	Hex Nut, 1/2-13	_____
3	2	17834	D-Plate w/Alignment Holes	_____
	4	11121	U-Bolt, 1/2-13 x 2sq x 3	_____
	8	11051	Hex Nut, 1/2-13	_____
	2	10812	Roll Pin 1/4 x 1	_____
4	1	17979	Middle Toolbar, 2sq x 74 x 3/16w w/ Alignment Holes	_____
	6	11121	U-Bolt, 1/2-13 x 2sq x 3	_____
	12	11051	Hex Nut, 1/2-13	_____
5	4	18170	Spacer Plate	_____
6	1	18157	Roll Carriage Bracket, Thumbscrew End	_____
	2	16033	U-Bolt, 3/8-16 x 2sq x 3	_____
	4	11008	Hex Nut, 3/8-16	_____
7	1	18159	Roll Carriage Bracket, Centering Screw End	_____
	2	16033	U-Bolt, 3/8-16 x 2sq x 3	_____
	4	11008	Hex Nut, 3/8-16	_____
8	16	10721	[Spacer Washer] Flat Washer, 3/8 Heavy Duty	_____
9	2	17853	Centering Plate	_____
	4	10747	Carriage Bolt, 3/8-16 x 1-1/2	_____
	2	11008	Hex Nut, 3/8-16	_____
10	2	11068	[Centering Screw] Hex Capscrew, 1/2-13 x 1-3/4	_____
	2	11217	Hex Jam Nut, 1/2-13	_____
11	1	17900	Thumbscrew	_____
12	1	17901	Spring Socket	_____
13	1	17856	Die Spring	_____
14	4	17447	Roller Spindle, 1/2	_____
	8	11051	Hex Nut, 1/2-13	_____
15	2	17706	Brake Back Plate	_____
16	4	17852	Brake Pad, 3/8 thick	_____
17	4	18114	Roller End Bearing	_____
18	2	15854	Roller Tube, 2 x 48 - shorten as needed - 2 x 60 available upon request	_____
19	2	16117	Spring Bracket	_____
	2	10749	Carriage Bolt, 3/8-16 x 3/4	_____
	2	11008	Hex Nut, 3/8-16	_____

# PARTS LIST

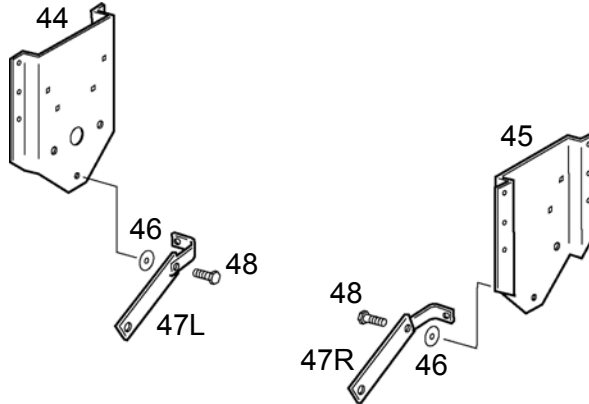
Ref	Quan	Part No	Description	Price
20	2	16600	Spring	_____
21	4	11184	[Pivot Washer] Flat Washer, 1/2 USS	_____
22L	1	18185	Ground Roller Link, Left	_____
22R	1	18186	Ground Roller Link, Right	_____
	2	10963	Cotter Pin, 5/32 x 1	_____
23	2	15856	Roller Spindle, 5/8	_____
	2	11142	Hex Nut, 5/8-11	_____
	2	11214	Hex Jam Nut, 5/8-11	_____
24	2	11179	[Pivot Washer] Flat Washer, 5/8 SAE	_____
25	2	16116	Roller End Bearing	_____
26	1	17989	Roller Tube, 3 x 48 - shorten as needed - 2 x 60 available upon request	_____
27	2	17292	D-Plate, 2 x 1-1/2	_____
	4	16033	U-Bolt, 3/8-16 x 2sq x 3	_____
	8	11008	Hex Nut, 3/8-16	_____
28	2	17599	Tuck Wheel Shank	_____
	4	17269	U-Bolt, 3/8-16 x 1-1/2sq x 2-1/2	_____
	8	11008	Hex Nut, 3/8-16	_____
29	2	16337	[Spacer] Shaft Collar, 1/2	_____
30	4	17868	Pivot Shim Washer	_____
31	2	17702	Pivot Support Plate	_____
	2	11064	Hex Capscrew, 1/2-13 x 2-3/4	_____
	2	11051	Hex Nut, 1/2-13	_____
32	2	11114	[Spring Anchor Stud] Hex Capscrew 5/16-18 x 1-1/2	_____
	4	11009	Hex Nut, 5/16-18	_____
33	2	11052	[Pivot Bolt] Hex Capscrew, 1/2-13 x 3	_____
	2	11120	Hex NyLock Nut, 1/2-12	_____
34	2	17978	Tuck Wheel Link	_____
35	2	16600	Spring	_____
36	2	17821	Spring Anchor	_____
37	2	11014	[Spindle Bolt] Hex Capscrew, 3/4-10 x 5	_____
	4	11172	Hex Nut, 3/4-10	_____
38	4	15392	Bearing, 3/4id	_____
39	2	16605	Wheel, 6 x 3-1/4	_____
	2	15581	Valve Stem - included	_____
	2	14286	Valve - included	_____
	2	14287	Cap - included	_____
40	2	16606	Tire, 400x6 Rib	_____

# PARTS LIST

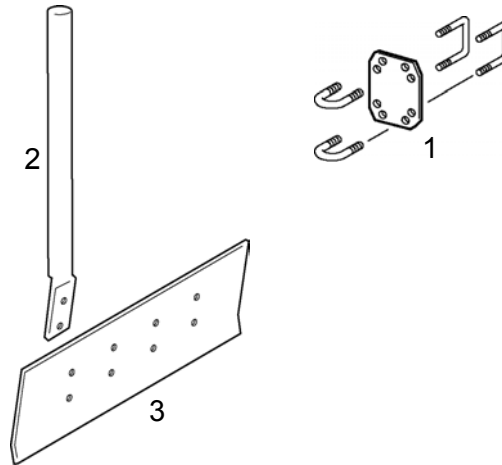
Ref	Quan	Part No	Description	Price
<b>Parts assemblies w/ related fasteners</b>				
41	2	16604	Wheel Asby, 400x6	_____
42	2	17829	Roller Asby, 2 x 60	_____
43	1	17916	Roller Asby, 3 x 60	_____

## EARLY PARTS

44	1	17562	Roll Carriage Bracket, Thumbscrew End	_____
45	1	17573	Roll Carriage Bracket, Centering Screw End	_____
46	2	10969	[Pivot Washer] Fender Washer, 1/2 x 1-1/2 OD	_____
47L	1	16115	Ground Roller Link, Left	_____
47R	1	16118	Ground Roller Link, Right	_____
48	2	11068	[Pivot Bolt] Hex Capscrew, 1/2-13 x 1-3/4	_____
	2	11120	Hex NyLock Nut, 1/2-13	_____



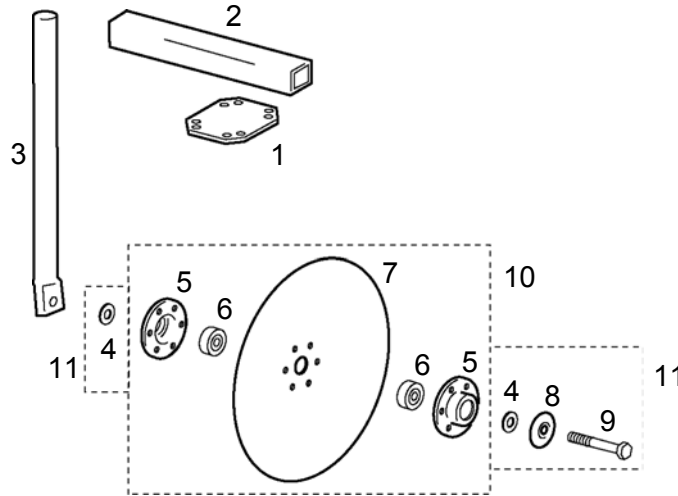
# PARTS LIST



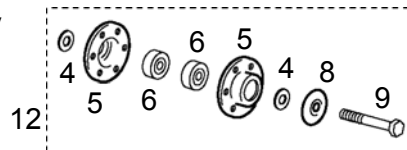
Ref	Quan	Part No	Description	Price
	<b>2</b>	<b>17500</b>	<b>D-Clamp Asby, 2sq x 1-1/4rd - includes Ref 1</b>	_____
1	2	517-501	D-Plate, 2 x 1-1/4	_____
	4	511-121	U-Bolt, 1/2-13 x 2sq x 3	_____
	4	510-718	U-Bolt, 1/2-13 x 1-1/2rd x 2-3/4	_____
	16	511-051	Hex Nut, 1/2-13	_____
	<b>2</b>	<b>16776</b>	<b>Covering Board &amp; Shank - includes Ref 2 and 3</b>	_____
2	2	514-990	Shank	_____
3	2	514-992	Covering Board	_____
	4	510-750	Carriage Bolt, 3/8-16 x 1	_____
	4	511-008	Hex Nut, 3/8-16	_____

# PARTS LIST

Note: This add-on package utilizes the original clamp for the covering board shank

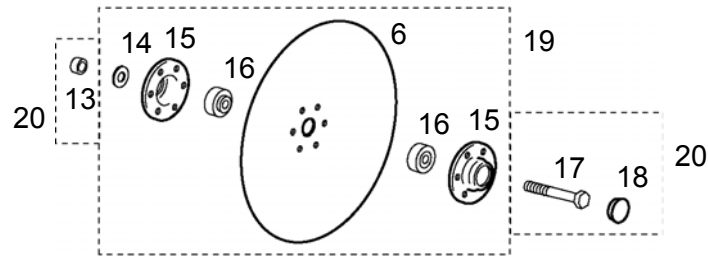


Ref	Quan	Part No	Description	Price
1	1	<b>19500A</b>	<b>Covering Disk Pkg - includes Ref 1 thru 9</b>	_____
1	2	517-300	D-Plate, 2 x 2	_____
	4	511-121	U-Bolt, 1/2-13 x 2sq x 3	_____
	8	511-051	Hex Nut, 1/2-13	_____
2	2	20030-014	Short Toolbar, 2sq x 14 x 3/16wall	_____
	4	511-121	U-Bolt, 1/2-13 x 2sq x 3	_____
	8	511-051	Hex Nut, 1/2-13	_____
3	1	516-764	Shank	_____
4	2	511-179	[Spacer] Flat Washer, 5/8 SAE	_____
5	2	518-845	Hub Flange	_____
	6	516-770	Hex Capscrew, 1/4-20 x 7/8 Grade 8	_____
	6	511-241	Hex Nut, 1/4-20 Nylock	_____
6	2	516-768	Ball Bearing, 204RY2, John Deere AA21480	_____
7	1	516-769	Disk Blade, 14"	_____
8	1	518-847	Dust Cover	_____
9	1	510-744	[Bearing Bolt] Hex Capscrew, 5/8-11 x 3-1/4	_____
	1	511-142	Hex Nut, 5/8-11	_____
<b>Parts assemblies w/ related fasteners</b>				
10	1	518-894	Disk & Hub Asby	_____
11	1	19114FA	Parts for Final Assembly	_____
12	1	519-214	Complete Hub Asby	_____

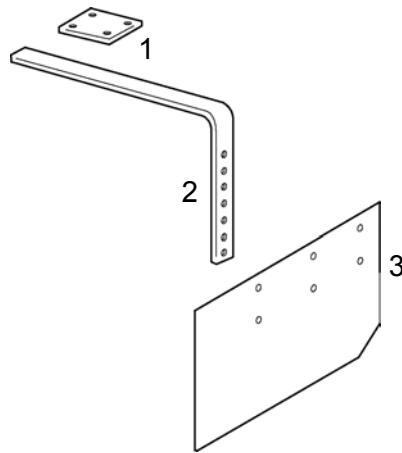


# PARTS LIST

Ref	Quan	Part No	Description	Price
<b>EARLY PARTS</b>				
		<b>16093</b>	<b>Disk, 14" &amp; Shank Asby</b>	
13	2	516-765	Spacer, 1" OD x 5/8 ID x 1/2	_____
14	2	511-191	[Bearing Shield] Flat Washer, 9/16 USS	_____
15	4	517-869	Hub Flange	_____
16	4	516-768	Ball Bearing, 204RY2, John Deere AA21480	_____
17	2	511-029	[Bearing Bolt] Hex Capscrew, 5/8-11 x 3-1/2	_____
18	2	517-870	Dust Cap	_____
<b>Parts assemblies w/ related fasteners</b>				
19	2	518-894	Disk & Hub Asby	_____
20	2	19114FA	Parts for Final Assembly	_____



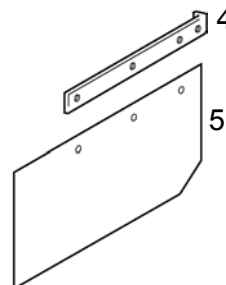
# PARTS LIST



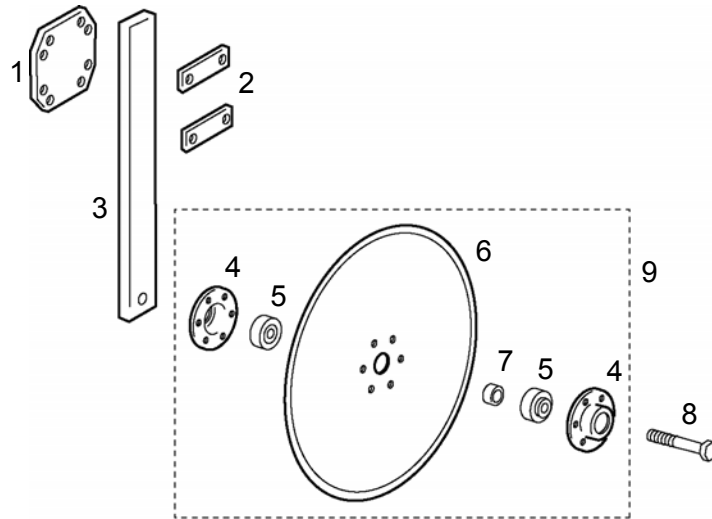
Ref	Quan	Part No	Description	Price
<b>OPTION</b>				
	<b>1</b>	<b>18160</b>	<b>Rear Shields - includes Ref 1 thru 3</b>	_____
1	2	516-737	Clamp Plate	_____
	2	510-032	U-bolt, 3/8-16 x 2sq x 3	_____
	4	511-008	Hex Nut, 3/8-16	_____
2	2	518-465	Hanger	_____
3	2	518-466	Shield	_____
	4	511-101	Hex Capscrew, 3/8-16 x 1	_____
	4	511-108	Hex Nut, 3/8-16	_____

## EARLY PARTS

	<b>1</b>	<b>17280</b>	<b>Rear Shields</b>	_____
4	2		Top Rib	_____
5	2		Shield	_____



# PARTS LIST



Ref	Quan	Part No	Description	Price
<b>OPTION</b>				
	<b>1</b>	<b>20596</b>	<b>Guide Disk Asby - includes Ref 1 thru 8</b>	_____
1	1	517-300	D-Plate, 2 x 2	_____
	2	511-121	U-Bolt, 1/2-13 x 2sq x 3	_____
	2	511-051	Hex Nut, 1/2-13	_____
2	1	518-122	Clamp Strap	_____
	2	511-065	Hex Capscrew, 1/2-13 x 2-1/2	_____
	2	511-051	Hex Nut, 1/2-13	_____
3	1	518-053	Shank	_____
4	2	518-846	Hub Flange	_____
	6	510-709	Hex Capscrew, 5/16-18 x 7/8	_____
	6	511-240	Hex NyLock Nut, 5/16-18	_____
5	2	517-919	Ball Bearing, 205RVA, John Deere A27002	_____
6	1	518-220	Coulter Blade, 18"	_____
7	1	518-828	Spacer, 1-1/8 OD x 3/4 ID x 0.390	_____
8	1	511-016	[Bearing Bolt] Hex Capscrew, 3/4-10 x 4	_____
	1	511-172	Hex Nut, 3/4-10	_____
<b>Parts assembly w/ related fasteners</b>				
9	1	519-472	Coulter & Hub Asby	_____



# PARTS LIST

Ref	Quan	Part No	Description	Price
<b>EARLY PARTS</b>				
		<b>17596</b>	<b>Guide Disk Asby</b>	
10	2	517-912	Hub Flange	_____
11	2	517-919	Ball Bearing, 205RVA, John Deere A27002	_____
12	1	518-461	Spacer, 1-1/8 OD x 3/4 ID x 0.460	_____
			<b>Early parts assembly w/ related fasteners</b>	
13	1	518-171	Coulter & Hub Asby	_____

