



BUCKEYE TRACTOR CO

Parts List

**Model 2133
MULCH LAYER**

Version B02 • Serial No. 1120100 • Effective 12-1-01

Serial No: _____ Date Received: ___ / ___ / ___

Purchased From: _____

Invoice No: _____

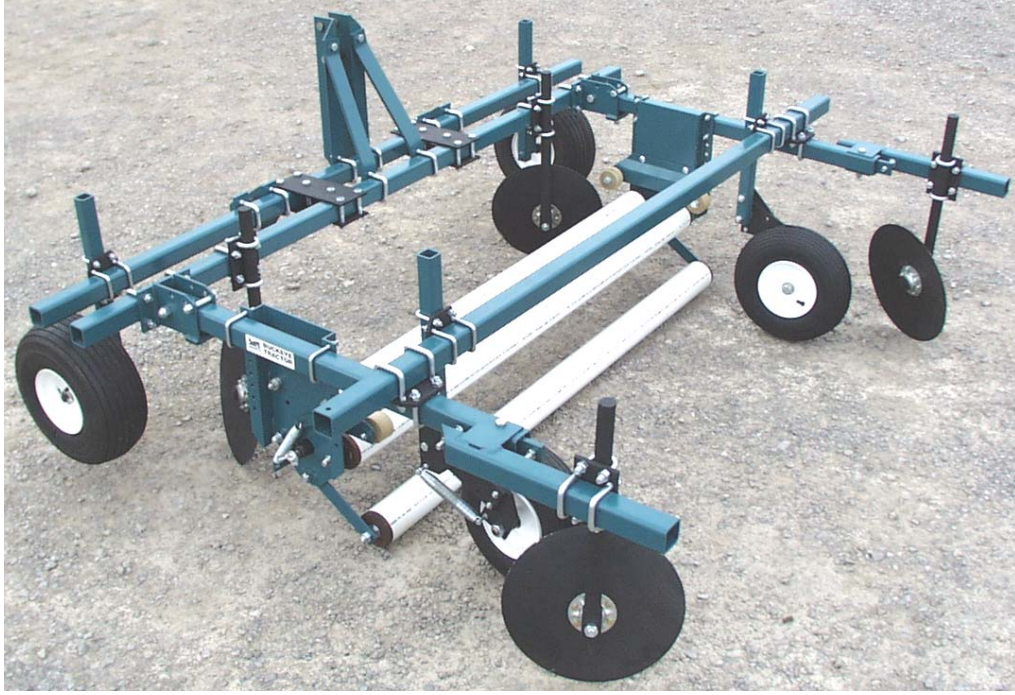


BUCKEYE TRACTOR CO

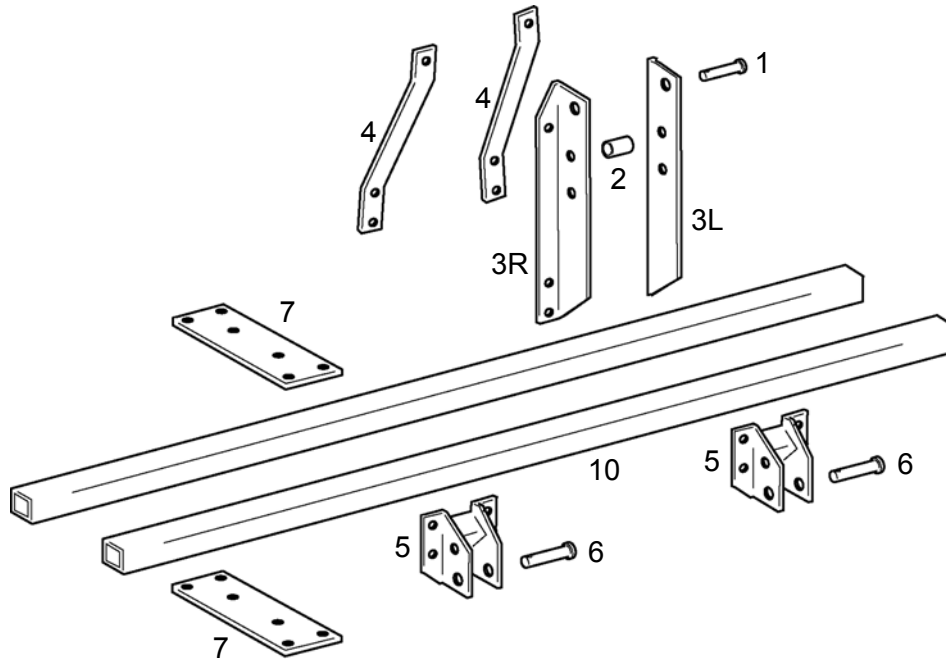
**P.O.Box 97 • 11313 Slabtown Road • Columbus Grove, Ohio 45830 USA
call 419-659-2162 • fax 419-659-2082
buckeyetractor@bright.net • www.buctraco.com**

YOUR PURCHASE INCLUDES COMPLETE AFTER-SALE SERVICE

GALLERY



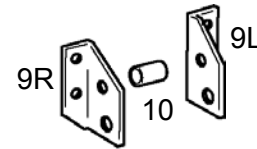
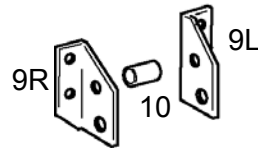
PARTS LIST



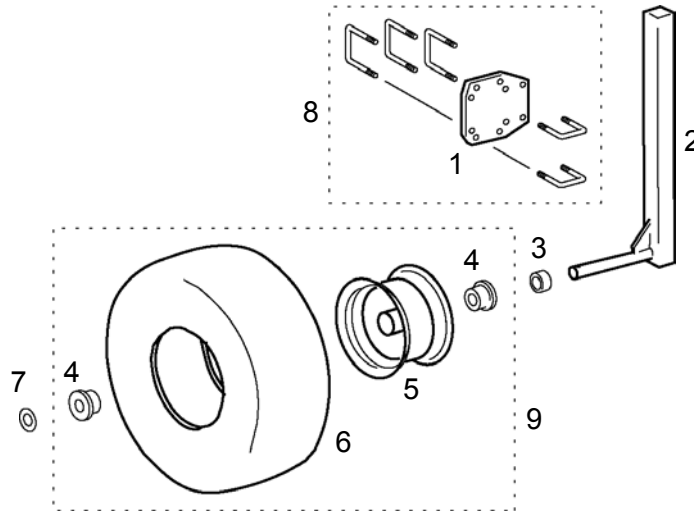
Ref	Quan	Part No	Description	Price
	1	21232	Toolbar Hitch - includes Ref 1 thru 7	_____
1	1	517-512	Hitch Pin, 3/4 x 3-1/4	_____
	1	511-354	Linch Pin, 1/4	_____
2	1	512-425	Bushing, 1" OD x 5/8 ID x 2	_____
	1	511-030	Hex Capscrew, 5/8-11 x 3	_____
	1	511-214	Hex Jam Nut, 5/8-11	_____
3L	1	516-111	Top Hitch Bracket, Left	_____
3R	1	516-112	Top Hitch Bracket, Right	_____
	2	511-121	U-Bolt, 1/2-13 x 2sq x 3	_____
	4	511-051	Hex Nut, 1/2-13	_____
4	2	517-620	Hitch Bracket Brace	_____
	2	511-121	U-Bolt, 1/2-13 x 2sq x 3	_____
	4	511-051	Hex Nut, 1/2-13	_____
5	2	518-039	Lower Hitch Bracket	_____
	4	511-121	U-Bolt, 1/2-13 x 2sq x 3	_____
	8	511-051	Hex Nut, 1/2-13	_____
6	2	517-514	Hitch Pin, 7/8 x 3-1/4	_____
	2	511-354	Linch Pin, 1/4	_____
7	4	517-400	Toolbar Spacer Plate, 2-bar x 6	_____
	12	511-052	Hex Capscrew, 1/2-13 x 3	_____
	12	511-051	Hex Nut, 1/2-13	_____

PARTS LIST

Ref	Quan	Part No	Description	Price
			ADD (2) Toolbars to Toolbar Hitch	
8	2	20030-086	Toolbar, 2sq x 3-bar x 86 x 1/4w - standard on 2133	
			Early Parts	
9L	2	516-109	Lower Hitch Bracket, Left	_____
9R	2	516-110	Lower Hitch Bracket, Right	_____
10	2	512-425	Bushing, 1od x 5/8id x 2	_____



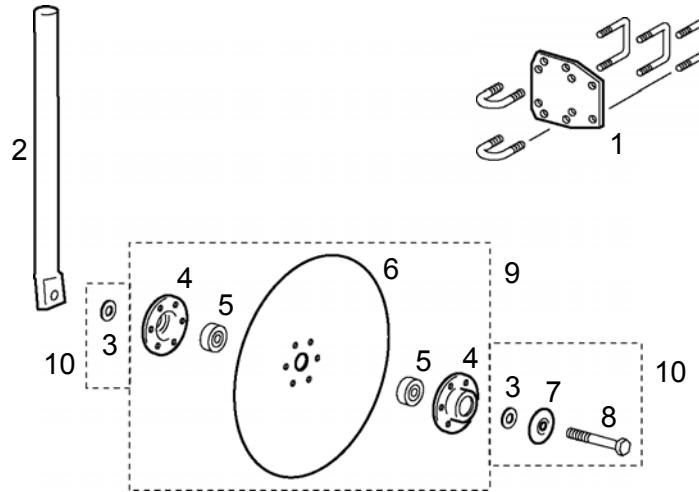
PARTS LIST



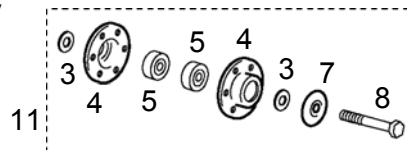
Ref	Quan	Part No	Description	Price
	1	17452	Gauge Wheel Asby, 15x600-6, Pair for 2sq - includes Ref 1 thru 7	_____
1	2	518-407	5D-Plate, 2 x 1-1/2	_____
	6	510-633	U-Bolt, 3/8-16 x 2sq x 3	_____
	4	510-629	U-Bolt, 3/8-16 x 1-1/2sq x 2-1/2	_____
	20	511-008	Hex Nut, 3/8-16	_____
2	2	515-862	Shank & Spindle	_____
3	2	516-338	Shaft Collar, 3/4	_____
4	4	515-392	Bearing, 3/4 ID Stamped	_____
5	2	517-812	Wheel, 6 x 4-1/2	_____
	2	515-581	Valve Stem - included	_____
	2	514-287	Cap - included	_____
	2	514-286	Valve - included	_____
6	2	517-819	Tire, 15x600-6 Rib	_____
	2	510-914	Cotter Pin, 1/4 x 1-1/4	_____
7	4	511-178	[Spindle Washer] Flat Washer, 3/4 SAE	_____
			Parts assemblies w/ related fasteners	
8	2	20155C	D5-Clamp Asby, 2sq x 1-1/2sq	_____
9	2	517-815	Wheel Assembly, 15x600-6	_____
			Early parts	
10	2	517-292	D-Plate, 2 x 1-1/2	_____



PARTS LIST

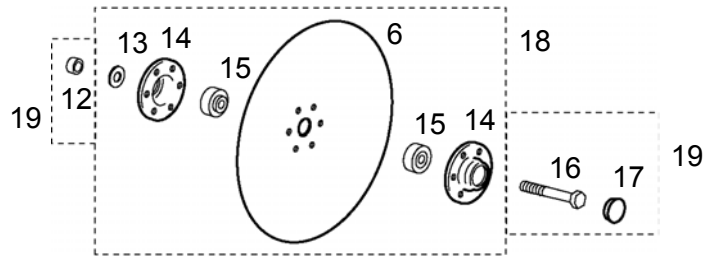


Ref	Quan	Part No	Description	Price
	2	18500	D5-Clamp Asby, 2sq x 1-1/4rd - includes Ref 1	_____
1	2	518-423	D5-Plate, 2 x 1-1/4	_____
	6	511-121	U-Bolt, 1/2-13 x 2sq x 3	_____
	4	510-714	U-Bolt, 1/2-13 x 1-1/4rd x 2-1/2	_____
	20	511-051	Hex Nut, 1/2-13	_____
	2	19114	Disk, 14" & Shank Asby - includes Ref 2 thru 8	_____
2	2	516-764	Shank	_____
3	4	511-179	[Spacer] Flat Washer, 5/8 SAE	_____
4	4	518-845	Hub Flange	_____
	12	516-770	Hex Capscrew, 1/4-20 x 7/8 Grade 8	_____
	12	511-241	Hex Nut, 1/4-20 Nylock	_____
5	4	516-768	Ball Bearing, 204RY2, John Deere AA21480	_____
6	2	516-769	Disk Blade, 14"	_____
7	2	518-847	Dust Cover	_____
8	2	510-744	[Bearing Bolt] Hex Capscrew, 5/8-11 x 3-1/4	_____
	2	511-142	Hex Nut, 5/8-11	_____
			Parts assemblies w/ related fasteners	
9	2	518-894	Disk & Hub Asby	_____
10	2	19114FA	Parts for Final Assembly	_____
11	2	519-214	Complete Hub Asby	_____

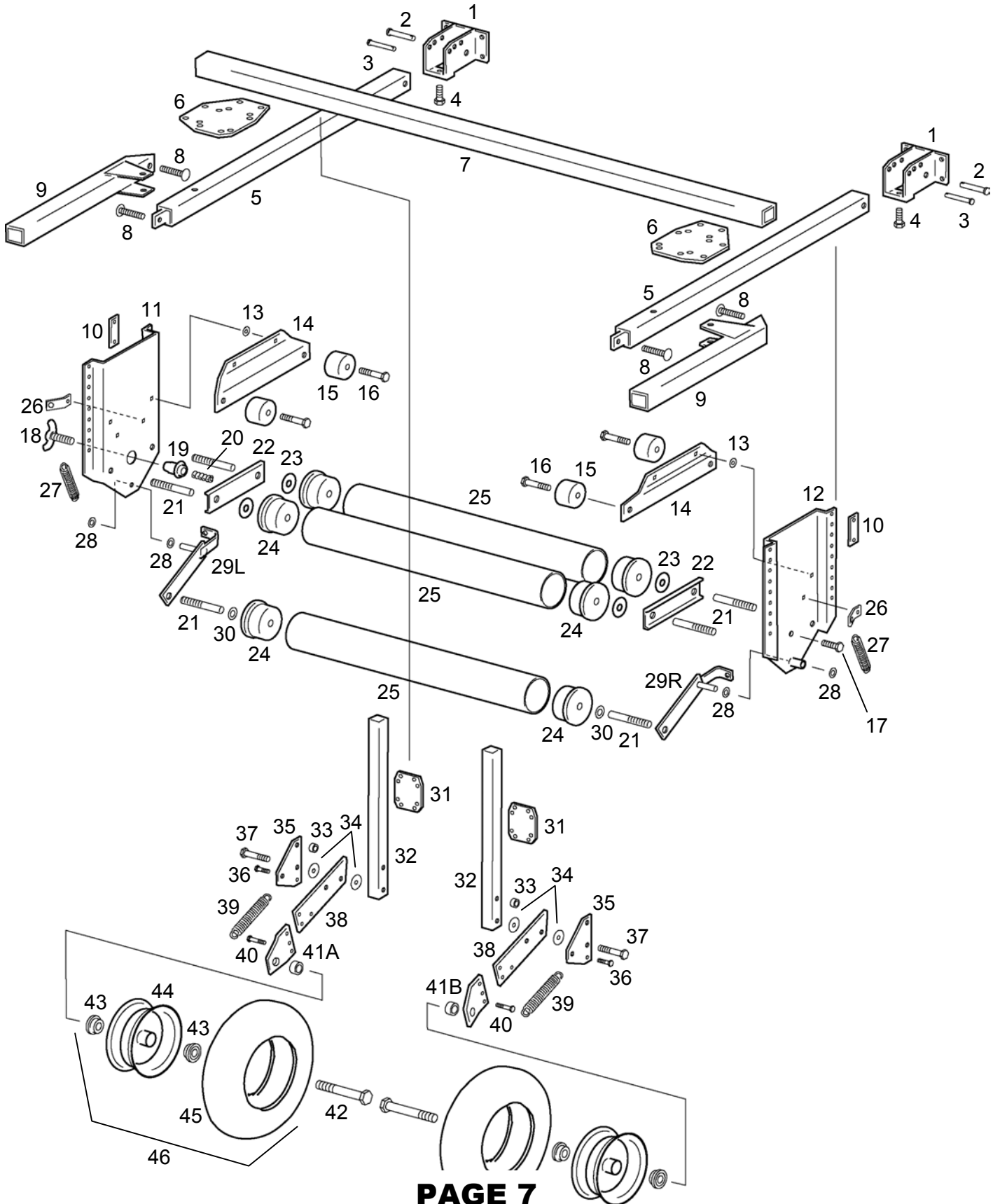


PARTS LIST

Ref	Quan	Part No	Description	Price
EARLY PARTS				
		16093	Disk, 14" & Shank Asby	
12	2	516-765	Spacer, 1" OD x 5/8 ID x 1/2	_____
13	2	511-191	[Bearing Shield] Flat Washer, 9/16 USS	_____
14	4	517-869	Hub Flange	_____
15	4	516-768	Ball Bearing, 204RY2, John Deere AA21480	_____
16	2	511-029	[Bearing Bolt] Hex Capscrew, 5/8-11 x 3-1/2	_____
17	2	517-870	Dust Cap	_____
Early parts assemblies w/ related fasteners				
18	2	518-894	Disk & Hub Asby	_____
19	2	16093FA	Parts for Final Assembly	_____



PARTS LIST



PARTS LIST

Ref	Quan	Part No	Description	Price
1	2	517-298	Hinge Bracket	_____
	4	511-121	U-Bolt, 1/2-13 x 2sq x 3	_____
	8	511-051	Hex Nut, 1/2-13	_____
2	2	513-401	Clevis Pin, 5/8 x 2-3/4 Std	_____
	2	510-963	Cotter Pin, 5/32 x 1	_____
3	2	518-219	Clevis Pin, 1/2 x 2-3/4 Std	_____
	2	510-963	Cotter Pin, 5/32 x 1	_____
4	2	511-068	[Stop Screw] Hex Capscrew, 1/2-13 x 1-3/4	_____
	2	511-217	Hex Jam Nut, 1/2-13	_____
5	2	517-830	Side Toolbar	_____
6	2	517-771	D6-Plate, 2 x 2 w/ Alignment Holes	_____
	6	511-121	U-Bolt, 1/2-13 x 2sq x 3	_____
	12	511-051	Hex Nut, 1/2-13	_____
	2	510-812	Roll Pin, 1/4 x 1	_____
7	1	517-610	Toolbar, 2sq x 86 x 3/16w w/ Alignment Holes	_____
	6	511-121	U-Bolt, 1/2-13 x 2sq x 3	_____
	12	511-051	Hex Nut, 1/2-13	_____
8	4	516-053	[Adjustment Screw] Carriage Bolt, 1/2-13 x 2-1/2	_____
	4	511-217	Hex Nut, 1/2-13 Jam	_____
9	2	517-857	Rear Toolbar Extension	_____
	2	510-786	Hex Capscrew, 1/2-13 x 3-1/4	_____
	2	511-120	Hex Nut, 1/2-13 Nylock	_____
10	4	518-170	Spacer Plate	_____
11	1	518-167	Roll Carriage Bracket, Thumbscrew End	_____
	2	510-633	U-Bolt, 3/8-16 x 2sq x 2-3/4	_____
	4	511-008	Hex Nut, 3/8-16	_____
12	1	518-169	Roll Carriage Bracket, Centering Screw End	_____
	2	516-033	U-Bolt, 3/8-16 x 2sq x 3	_____
	4	511-008	Hex Nut, 3/8-16	_____
13	16	510-721	[Spacer Washer] Flat Washer, 3/8 Heavy Duty	_____
14	2	517-867	Centering Plate	_____
	4	510-747	Carriage Bolt 3/8-16 x 1-1/2	_____
	4	511-008	Hex Nut, 3/8-16	_____
15	4	515-857	Idler Wheel	_____
16	4	511-067	[Spindle Bolt] Hex Capscrew, 1/2-13 x 2	_____
	8	511-051	Hex Nut, 1/2-13	_____
17	1	511-068	[Centering Screw] Hex Capscrew, 1/2-13 x 1-3/4	_____
	1	511-217	Hex Jam Nut, 1/2-13	_____
18	1	517-900	[Thumbscrew] Hex Capscrew, 5/8-11 x 1-1/2	_____
19	1	517-901	Spring Socket	_____

PARTS LIST

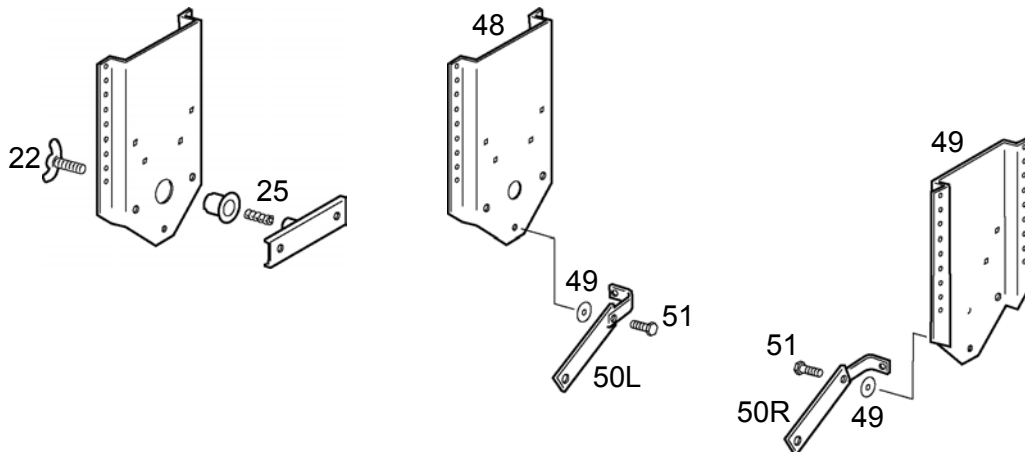
Ref	Quan	Part No	Description	Price
20	1	517-856	Die Spring	_____
21	6	515-856	Roller Spindle	_____
	10	511-142	Hex Nut, 5/8-11	_____
	2	511-214	Hex Jam Nut, 5/8-11	_____
22	2	517-663	Brake Back Plate	_____
23	4	517-858	Brake Pad	_____
24	6	516-116	Roller End Bearing	_____
25	3	518-018	Roller Tube, 3 x 72 - shorten as needed	_____
26	2	516-117	Spring Bracket	_____
	2	510-749	Carriage Bolt, 3/8-16 x 3/4	_____
	2	511-008	Hex Nut, 3/8-16	_____
27	2	516-600	Spring	_____
28	4	511-184	[Pivot Washer] Flat Washer, 1/2 USS	_____
29L	1	518-185	Ground Roller Link, Left	_____
29R	1	518-186	Ground Roller Link, Right	_____
	2	510-963	Cotter Pin, 5/32 x 1	_____
30	2	511-179	[Thrust Washer] Flat Washer, 5/8 SAE	_____
31	2	517-292	D-Plate, 2 x 1-1/2	_____
	4	516-033	U-Bolt, 3/8-16 x 2sq x 3	_____
	4	517-269	U-Bolt, 3/8-16 x 1-1/2sq x 2-1/2	_____
	16	511-008	Hex Nut, 3/8-16	_____
32	2	517-599	Tuck Wheel Shank	_____
33	2	516-337	[Spacer] Shaft Collar, 1/2	_____
34	4	517-868	Pivot Shim Washer	_____
35	2	517-529	Pivot Support Plate	_____
	2	511-064	Hex Capscrew, 1/2-13 x 2-3/4	_____
	2	511-051	Hex Nut, 1/2-13	_____
36	2	511-114	[Spring Anchor Stud] Hex Capscrew 5/16-18 x 1-1/2	_____
	4	511-009	Hex Nut, 5/16-18	_____
37	2	511-052	[Pivot Bolt] Hex Capscrew, 1/2-13 x 3	_____
	2	511-120	Hex NyLock Nut, 1/2-12	_____
38	2	517-571	Tuck Wheel Link	_____
	2	511-070	Hex Capscrew, 1/2-13 x 1-1/4 - use if preferred	_____
	2	511-051	Hex Nut, 1/2-13 - use if preferred	_____
39	2	516-600	Spring	_____
40	2	511-112	[Spring Anchor Stud] Hex Capscrew 5/16-18 x 2	_____
	4	511-009	Hex Nut, 5/16-18	_____

PARTS LIST

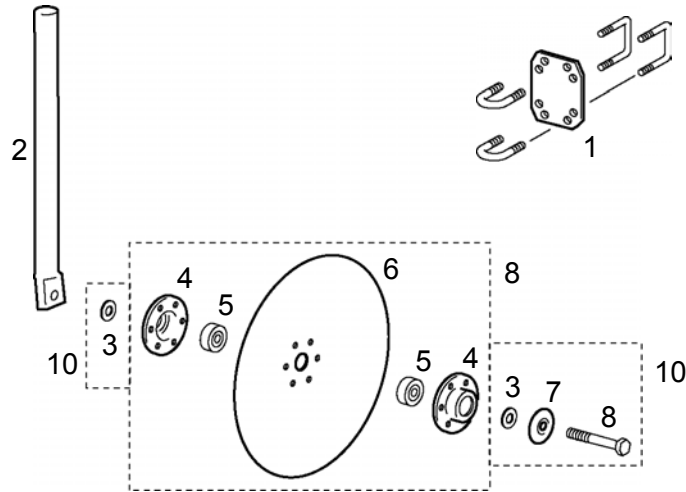
Ref	Quan	Part No	Description	Price
41A	1	517-577	Reversible Flange, Side A	_____
41B	1	517-579	Reversible Flange, Side B	_____
	4	511-178	[Spacer] Flat Washer, 3/4 SAE	_____
	4	511-101	Hex Capscrew, 3/8-16 x 1	_____
	4	511-008	Hex Nut, 3/8-16	_____
42	2	511-014	[Spindle Bolt] Hex Capscrew, 3/4-10 x 5	_____
	4	511-172	Hex Nut, 3/4-10	_____
43	4	515-392	Bearing, 3/4 ID	_____
44	2	516-605	Wheel, 6 x 3-1/4	_____
	2	515-581	Valve Stem - included	_____
	2	514-286	Valve - included	_____
	2	514-287	Cap - included	_____
45	2	516-606	Tire, 400x6 Rib	_____
Parts assemblies w/ related fasteners				
46	2	516-604	Wheel Asby, 400x6	_____

EARLY PARTS - retrofit unreferenced parts with current parts

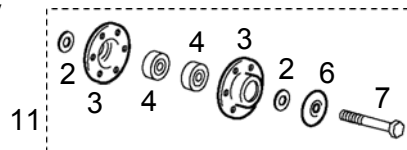
47	1	517-575	Roll Carriage Bracket, Thumbscrew End	_____
48	1	517-586	Roll Carriage Bracket, Centering Screw End	_____
49	2	510-969	[Pivot Washer] Fender Washer, 1/2 x 1-1/2 OD	_____
50L	1	516-115	Ground Roller Link, Left	_____
50R	1	516-118	Ground Roller Link, Right	_____
51	2	511-068	[Pivot Bolt] Hex Capscrew, 1/2-13 x 1-3/4	_____
	2	511-120	Hex NyLock Nut, 1/2-13	_____



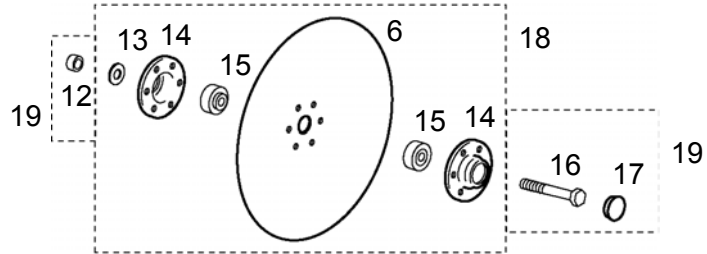
PARTS LIST



Ref	Quan	Part No	Description	Price
1	2	17500	D-Clamp Asby, 2sq x 1-1/4rd - includes Ref 1	_____
	2	517-501	D-Plate, 2 x 1-1/4	_____
	4	511-121	U-Bolt, 1/2-13 x 2sq x 3	_____
	4	510-714	U-Bolt, 1/2-13 x 1-1/4rd x 2-1/2	_____
	16	511-051	Hex Nut, 1/2-13	_____
2	2	19114	Disk, 14" & Shank Asby - includes Ref 2 thru 8	_____
	2	516-764	Shank	_____
	3	511-179	[Spacer] Flat Washer, 5/8 SAE	_____
	4	518-845	Hub Flange	_____
	12	516-770	Hex Capscrew, 1/4-20 x 7/8 Grade 8	_____
	12	511-241	Hex Nut, 1/4-20 Nylock	_____
	5	516-768	Ball Bearing, 204RY2, John Deere AA21480	_____
	6	516-769	Disk Blade, 14"	_____
	7	518-847	Dust Cover	_____
	8	510-744	[Bearing Bolt] Hex Capscrew, 5/8-11 x 3-1/4	_____
	2	511-142	Hex Nut, 5/8-11	_____
9	2	518-894	Parts assemblies w/ related parts Disk & Hub Asby	_____
	10	19114FA	Parts for Final Assembly	_____
	11	519-214	Complete Hub Asby	_____

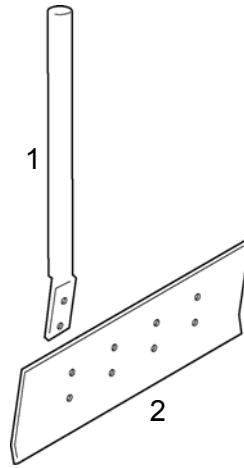


PARTS LIST



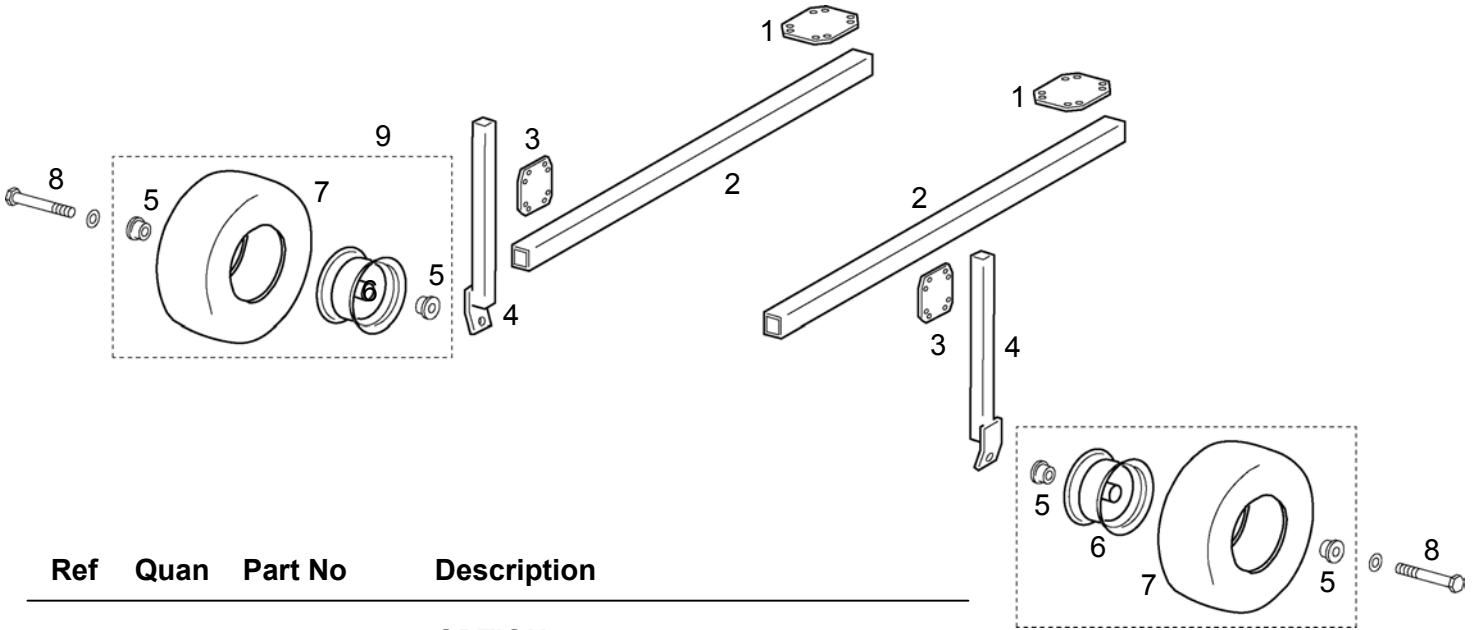
Ref	Quan	Part No	Description	Price
EARLY PARTS				
	2	16093	Disk, 14" & Shank Asby	
12	2	516-765	Spacer, 1" OD x 5/8 ID x 1/2	_____
13	2	511-191	[Bearing Shield] Flat Washer, 9/16 USS	_____
14	4	517-869	Hub Flange	_____
15	4	516-768	Ball Bearing, 204RY2, John Deere AA21480	_____
16	2	511-029	[Bearing Bolt] Hex Capscrew, 5/8-11 x 3-1/2	_____
17	2	517-870	Dust Cap	_____
Early parts assemblies w/ related parts				
18	2	518-894	Disk & Hub Asby	_____
19	2	19114FA	Parts for Final Assembly	_____

PARTS LIST



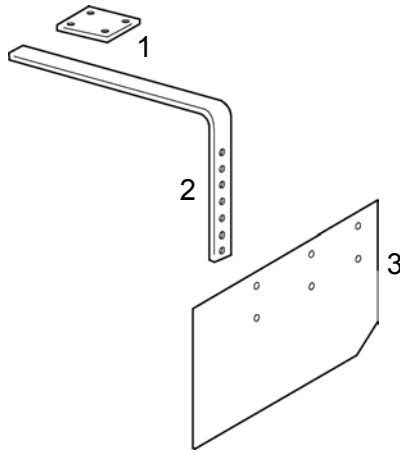
Ref	Quan	Part No	Description	Price
OPTION				
	2	16776	Covering Board & Shank - includes Ref 1 and 2	_____
1	2	514-990	Shank	_____
2	2	514-992	Covering Board	_____
	4	510-750	Carriage Bolt, 3/8-16 x 1	_____
	4	511-008	Hex Nut, 3/8-16	_____

PARTS LIST



Ref	Quan	Part No	Description
OPTION			
	1	17451	Rear Gauge Wheel Pkg - includes Ref 1 thru 8
1	2	517-300	D-Plate, 2 x 2
	4	511-121	U-Bolt, 1/2-13 x 2sq x 3
	8	511-051	Hex Nut, 1/2-13
2	2	515-974	Short Toolbar, 2sq x 48 x 3/16w
	4	511-121	U-Bolt, 1/2-13 x 2sq x 3
	8	511-051	Hex Nut, 1/2-13
3	2	517-292	D-Plate, 2 x 1-1/2
	4	516-033	U-Bolt, 3/8-16 x 2sq x 3
	8	511-008	Hex Nut, 3/8-16
4	2	517-297	Rigid Wheel Shank
	4	517-269	U-Bolt, 3/8-16 x 1-1/2sq x 2-1/2
	8	511-008	Hex Nut, 3/8-16
5	2	515-392	Bearing, 3/4 ID
6	2	517-812	Wheel, 6 x 4-1/2
	2	515-581	Valve Stem - included
	2	514-287	Cap - included
	2	514-286	Valve - included
7	2	517-818	Tire, 13x650-6 Rib
8	2	511-014	[Spindle Bolt] Hex Capscrew, 3/4-10 x 5
	4	511-172	Hex Nut, 3/4-10
Parts assembly w/ related fasteners			
9	2	17813	Wheel Assembly, 13x650-6

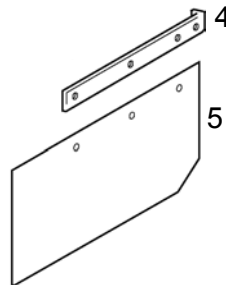
PARTS LIST



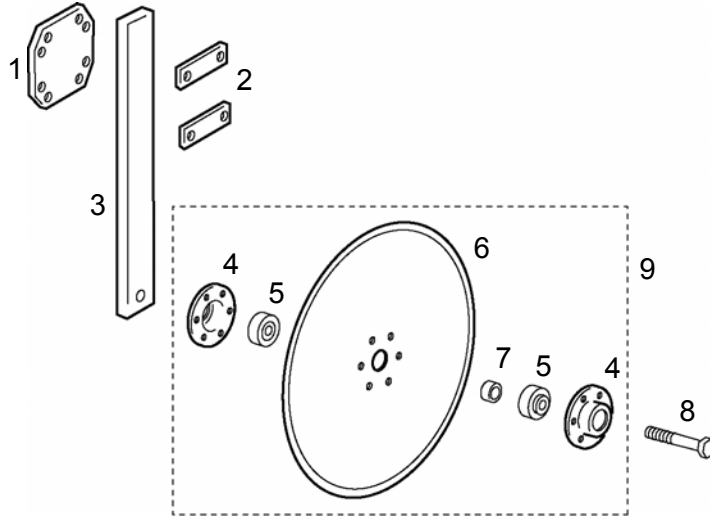
Ref	Quan	Part No	Description	Price
OPTION				
	1	18160	Rear Shields - includes Ref 1 thru 3	_____
1	2	516-737	Clamp Plate	_____
	2	510-032	U-bolt, 3/8-16 x 2sq x 3	_____
	4	511-008	Hex Nut, 3/8-16	_____
2	2	518-465	Hanger	_____
3	2	518-466	Shield	_____
	4	511-101	Hex Capscrew, 3/8-16 x 1	_____
	4	511-108	Hex Nut, 3/8-16	_____

EARLY PARTS

	1	17280	Rear Shields	_____
4	2		Top Rib	_____
5	2		Shield	_____



PARTS LIST



Ref	Quan	Part No	Description	Price
OPTION				
	2	19896	Guide Disk Asby - includes Ref 1 thru 8	_____
1	2	517-300	D-Plate, 2 x 2	_____
	4	511-121	U-Bolt, 1/2-13 x 2sq x 3	_____
	4	511-051	Hex Nut, 1/2-13	_____
2	2	518-122	Clamp Strap	_____
	4	511-065	Hex Capscrew, 1/2-13 x 2-1/2	_____
	4	511-051	Hex Nut, 1/2-13	_____
3	2	518-053	Shank	_____
4	4	518-846	Hub Flange	_____
	12	510-709	Hex Capscrew, 5/16-18 x 7/8	_____
	12	511-240	Hex NyLock Nut, 5/16-18	_____
5	4	517-919	Ball Bearing, 205RVA, John Deere A27002	_____
6	2	518-220	Coulter Blade, 18"	_____
7	2	518-828	Spacer, 1-1/8 OD x 3/4 ID x 0.390	_____
8	2	511-016	[Bearing Bolt] Hex Capscrew, 3/4-10 x 4	_____
	2	511-172	Hex Nut, 3/4-10	_____
Parts assembly w/ related fasteners				
9	2	519-472	Coulter & Hub Asby	_____

PARTS LIST

Ref	Quan	Part No	Description	Price
EARLY PARTS				
		17596	Guide Disk Asby	
10	4	517-912	Hub Flange	_____
11	4	517-919	Ball Bearing, 205RVA, John Deere A27002	_____
12	2	518-461	Spacer, 1-1/8 OD x 3/4 ID x 0.460	_____
			Early parts assembly w/ related fasteners	
13	2	518-171	Coulter & Hub Asby	_____

