



BUCKEYE TRACTOR CO

Parts List

**Models 2125-TB / 2125-TBL
DRIP TAPE LAYERS**

Version A01 • Serial No. 1010100 • Effective 1-1-01

Serial No: _____ Date Received: ___ / ___ / ___

Purchased From: _____

Invoice No: _____



BUCKEYE TRACTOR CO

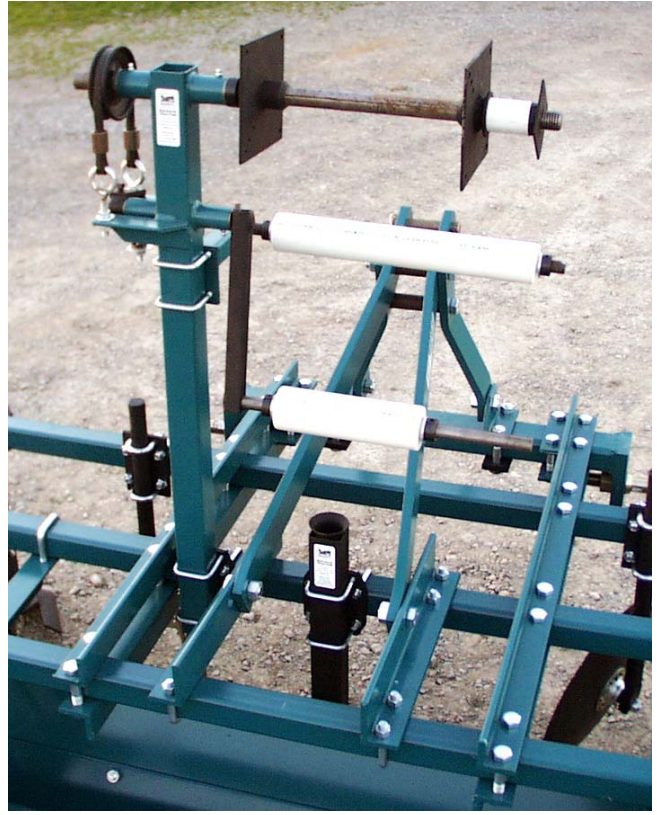
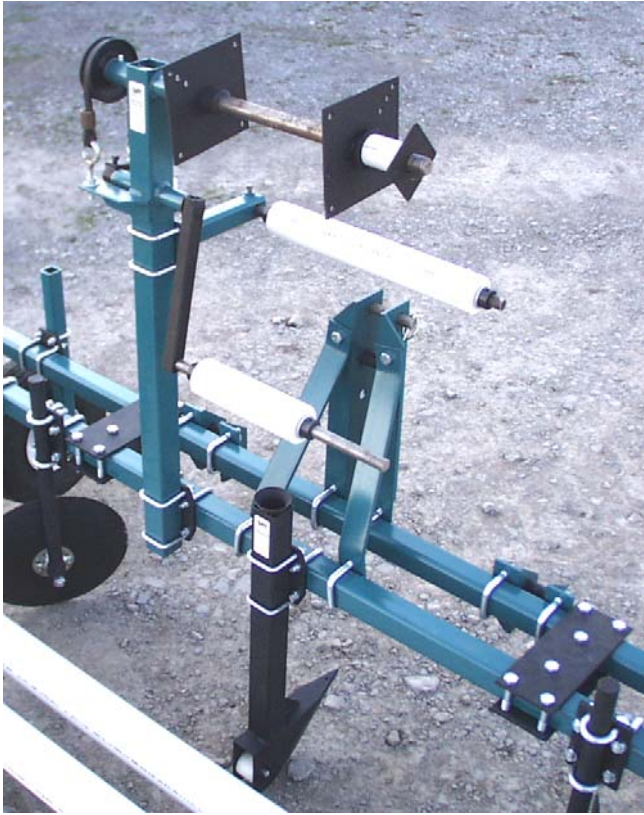
P.O.Box 97 • 11313 Slabtown Road • Columbus Grove, Ohio 45830 USA

Call 419-659-2162 • Fax 419-659-2082

800-526-6791 • www.BucTraCo.com

YOUR PURCHASE INCLUDES COMPLETE AFTER-SALE SERVICE

GALLERY



GALLERY



2125-TBL

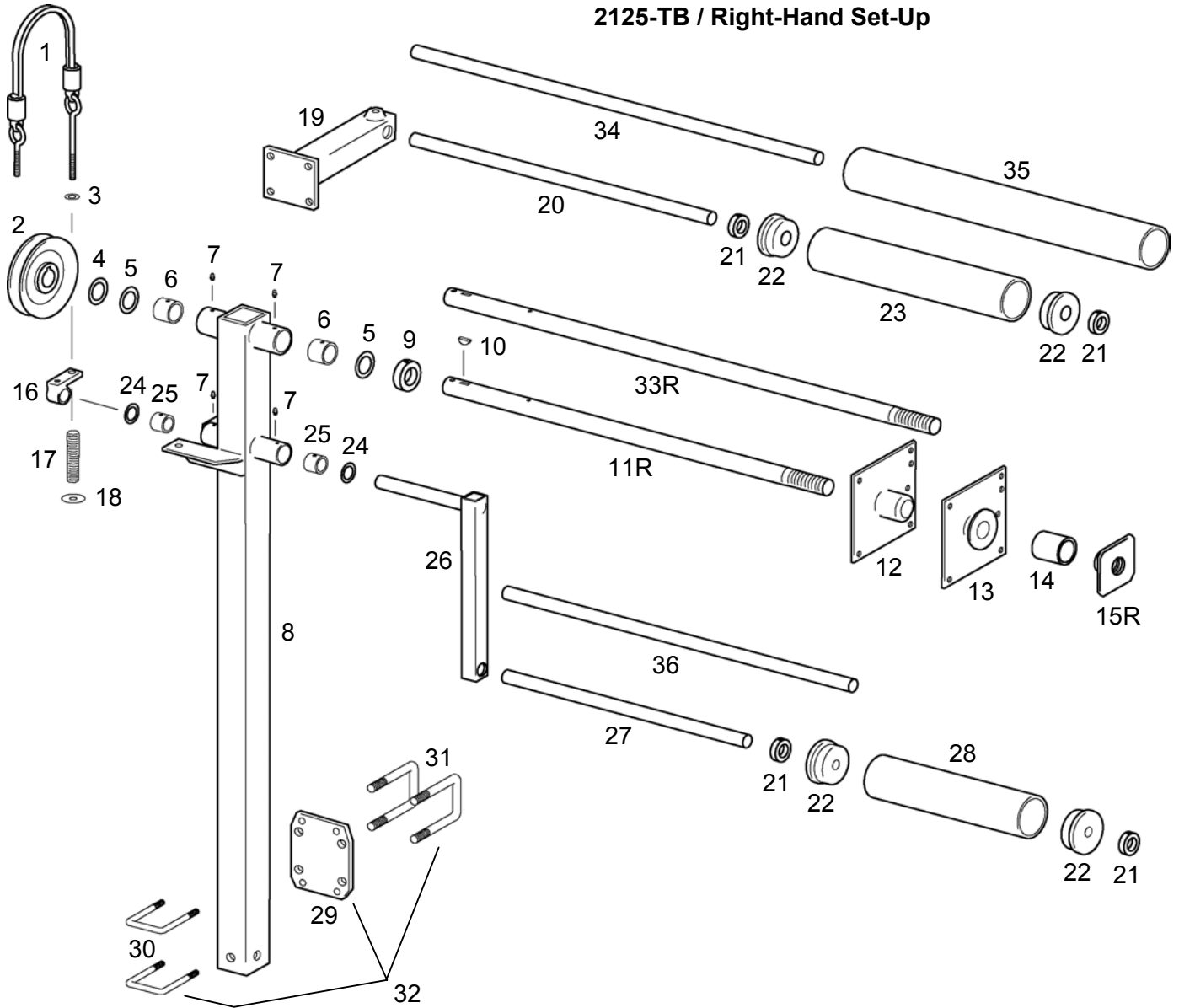


2125-TB



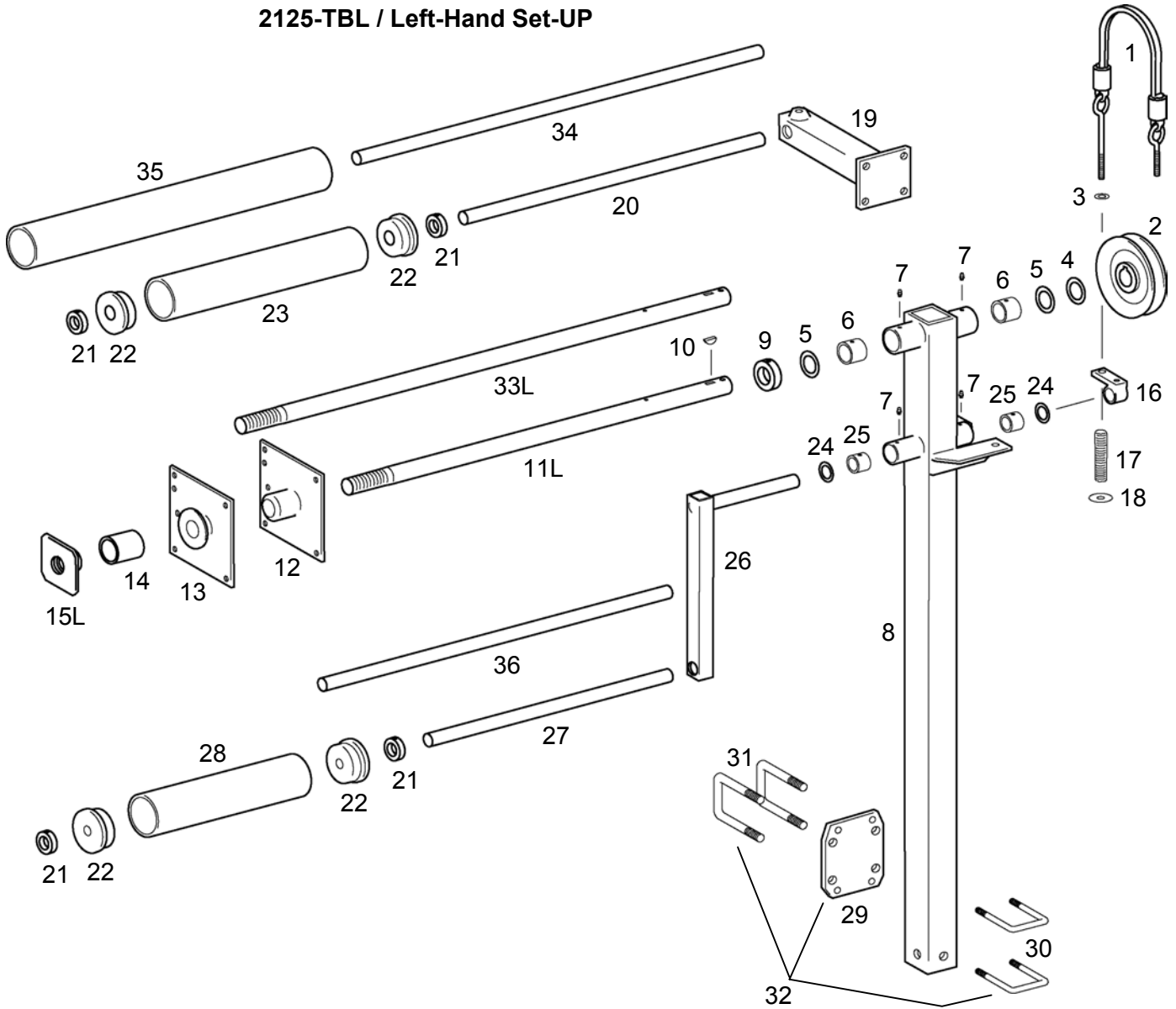
PARTS LIST

2125-TB / Right-Hand Set-Up



PARTS LIST

2125-TBL / Left-Hand Set-UP



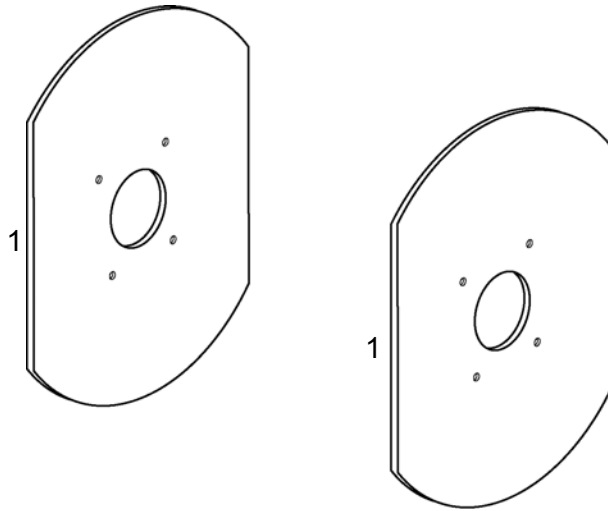
PARTS LIST

Ref	Quan	Part No	Description	Price
1	1	516-666	Brake Belt Asby	_____
	2	511-008	Hex Nut, 3/8-16	_____
	2	511-194	Flat Washer, 3/8 USS	_____
	1	511-239	Hex NyLock Nut, 3/8-16	_____
2	1	515-058	Pulley, 4"	_____
	1	510-779	Setscrew, 5/16-18 x 5/16 - included	_____
3	1	511-194	Flat Washer, 3/8 USS	_____
4	1	511-153	Machine Bushing, 1-10 ga	_____
5	2	511-154	Machine Bushing, 1-14 ga	_____
6	2	516-190	Sleeve Bearing w/Hole, 1-1/4 OD x 1 ID x 1 Sintered Bronze	_____
7	4	510-846	Grease Fitting, 1/4-28	_____
8	1	516-654	Tape Layer Post	_____
9	1	516-185	Shaft Collar, 1"	_____
	1	510-779	Setscrew, 5/16-18 x 5/16 - included	_____
10	1	516-321	Key, 1/4 x 3/4 Woodruff	_____
11L	1	517-638	Spool Shaft, 1"rd x 25-3/4 LH Thread - for 2125-TBL	_____
11R	1	516-488	Spool Shaft, 1"rd x 25-3/4 RH Thread - for 2125-TB	_____
12	1	516-274	Spool Driver Hub, Inside	_____
	2	516-283	Square Head Setscrew, 3/8-16 x 1/2	_____
13	1	516-271	Spool Driver Hub, Outside	_____
14	1	516-281	Nut Sleeve, 2"	_____
15L	1	517-677	Spool Nut, LH Thread for 2125-TBL	_____
15R	1	516-276	Spool Nut, RH Thread for 2125-TB	_____
16	1	516-660	Brake Belt Lever	_____
	1	516-322	Square Head Setscrew, 3/8-16 x 5/8	_____
17	1	516-675	Compression Spring, 1od x 3 x .0125 wire	_____
18	1	510-971	[Spring Cap] Fender Washer, 3/8id x 1-1/2od	_____
19	1	516-670	Secondary Roller Bracket	_____
	2	516-033	U-Bolt, 3/8-16 x 2sq x 3	_____
	4	511-008	Hex Nut, 3/8-16	_____
20	1	516-674	Roller Shaft, 21"	_____
	1	516-322	Setscrew, 3/8-16 x 5/8	_____
21	4	516-338	Shaft Collar, 3/4	_____
	4	510-779	Setscrew, 5/16 x 1/4 - included	_____
22	4	518-081	Roller End Bearing	_____
23	1	517-783	Roller Tube, 2 x 15	_____
24	2	511-164	Machine Bushing, 3/4-14ga	_____
25	2	516-676	Sleeve Bearing w/Hole, 1" OD x 3/4 ID x 1 Sintered Bronze	_____
26	1	516-661	Brake Release Lever	_____

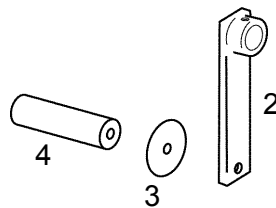
PARTS LIST

Ref	Quan	Part No	Description	Price
27	1	516-665	Roller Shaft, 17"	_____
	1	516-322	Setscrew Sq, 3/8-16 x 5/8	_____
28	1	517-691	Roller Tube, 2 x 12	_____
29	1	517-629	D-Plate, 2 x 2	_____
30	2	516-033	U-Bolt, 3/8-16 x 2sq x 3	_____
	4	511-008	Hex Nut, 3/8-16	_____
31	2	511-121	U-Bolt, 1/2-13 x 2sq x 3	_____
	4	511-051	Hex Nut, 1/2-13	_____
Parts assembly w/ related fasteners				
32	1	20204T	D-Clamp Asby, 2sq x 2sq	_____
OPTION for 2125-TB				
	1	17453A	Spool Shaft Pkg - for spools up to 20" wide includes ref nos 32 thru 35, replaces 11R, 20, 23, 27	
33R	1	517-781	Spool Shaft, 1"rd x 33-3/4 RH Thread	_____
34	1	517-793	Roller Shaft, 29	_____
35	1	517-794	Roller Tube, 2 x 23	_____
36	1	518-098	Roller Shaft, 25	_____
OPTION for 2125-TB				
	1	17758A	Spool Shaft Pkg, LH Thread - for spools up to 12" wide replaces ref nos 11R, 15L	
11L	1	517638	Spool Shaft, 1"rd x 25-3/4 LH Thread	_____
15L	1	517677	Spool Nut, LH Thread	_____
OPTION for 2125-TBL				
	1	17769A	Spool Shaft Pkg, LH Thread - for spools up to 20" wide includes ref nos 32 thru 35, replaces 11L, 20, 23, 27	
33L	1	517-792	Spool Shaft, 1"rd x 33-3/4 LH Thread	_____
34	1	517-793	Roller Shaft, 29	_____
35	1	517-794	Roller Tube, 2 x 23	_____
36	1	518-098	Roller Shaft, 25	_____

PARTS LIST

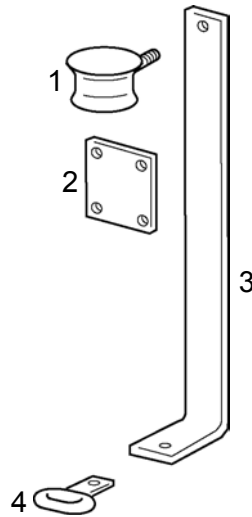


Ref	Quan	Part No	Description	Price
OPTION				
	1	16861	Tape Roll Caps - includes Ref 1	
1	2	518-300	Tape Roll Cap	
	8	510-724	Button Head Capscrew, 5/16-18 x 3/4	
	8	511-010	Hex Nut, 5/16-18	



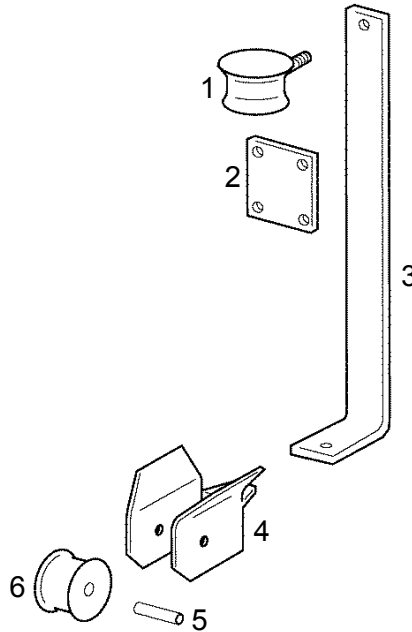
Ref	Quan	Part No	Description	Price
OPTION				
	1	16684	Hand-Crank Winder Conversion Pkg - includes Ref 2 thru 4	
2	1	516-995	Hand-Crank Lever	
	1	516-283	Square Head Setscrew, 3/8-16 x 1/2	
3	1	510-969	[Grip Shield] Fender Washer, 1/2	
	1	511-057	Hex Capscrew, 1/2-13 x 6	
	2	511-051	Hex Nut, 1/2-13	
4	1	516-996	Grip	

PARTS LIST



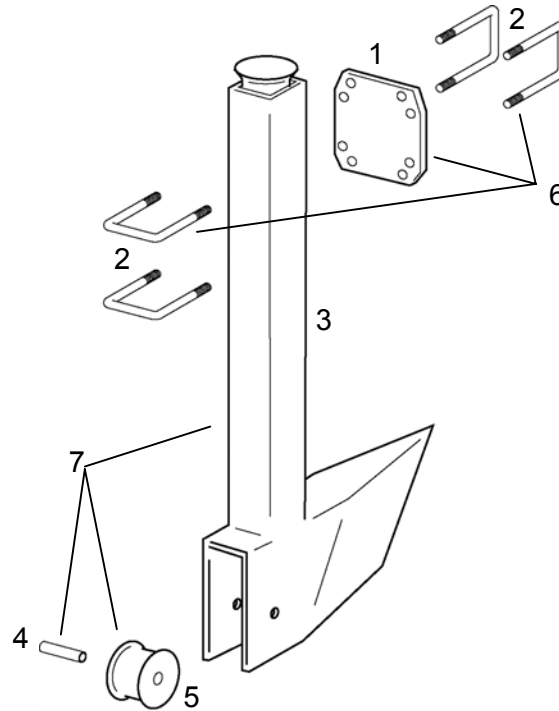
Ref	Quan	Part No	Description	Price
			ADD	
	1	15992	Drip Tape Surface Guide, Ring Type - includes Ref 1 thru 4	_____
1	1	516-729	Top Funnel Guide	_____
	2	511-008	Hex Nut, 3/8-16	_____
2	1	516-737	Clamp Plate	_____
	2	516-033	U-bolt, 3/8-16 x 2sq x 3	_____
	4	511-008	Hex Nut, 3/8-16	_____
3	1	516-736	Surface Guide Shank	_____
4	1	517-125	Guide Ring	_____
	1	511-101	Hex Capscrew, 3/8-16 x 1	_____
	1	511-008	Hex Nut, 3/8-16	_____

PARTS LIST



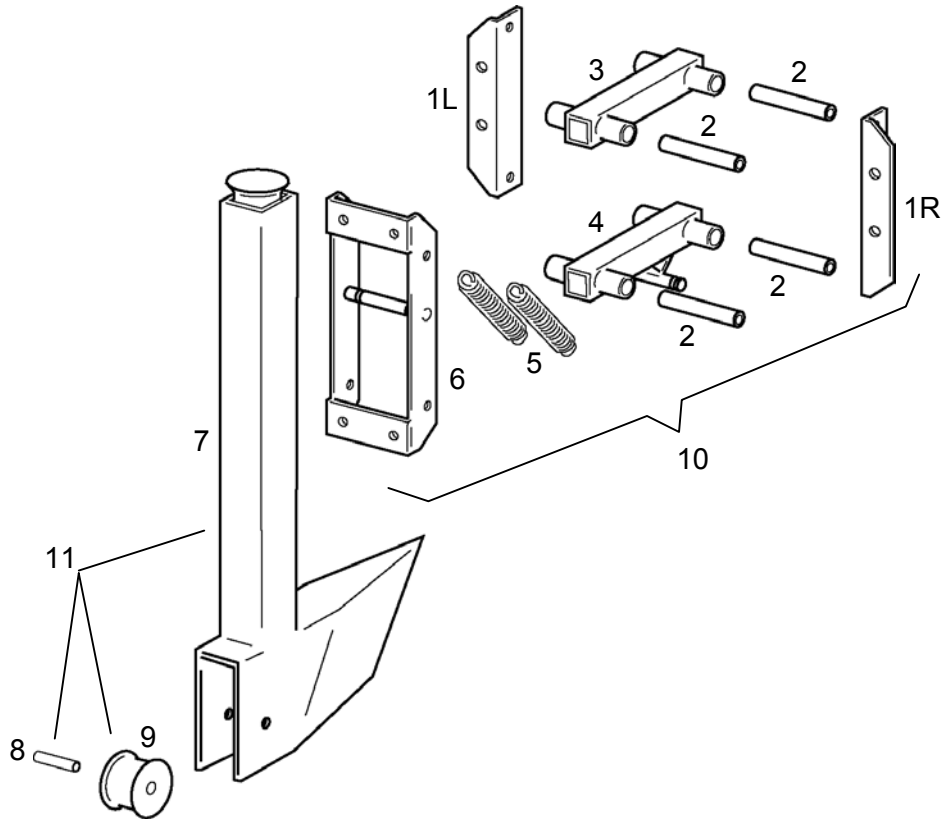
Ref	Quan	Part No	Description	Price
ADD				
	1	15962	Drip Tape Surface Guide, Roller Type - includes Ref 5 thru 10	_____
1	1	516-729	Top Funnel Guide	_____
	2	511-008	Hex Nut, 3/8-16	_____
2	1	516-737	Clamp Plate	_____
	2	516-033	U-bolt, 3/8-16 x 2sq x 3	_____
	4	511-008	Hex Nut, 3/8-16	_____
3	1	516-736	Surface Guide Shank	_____
4	1	516-730	Roller Bracket	_____
	1	511-101	Hex Capscrew, 3/8-16 x 1	_____
	1	511-008	Hex Nut, 3/8-16	_____
5	1	516-734	Roller Sleeve	_____
	1	511-109	Hex Capscrew, 5/16-18 x 2-1/2	_____
	1	511-010	Hex Nut, 5/16-18	_____
6	1	516-735	Roller	_____
	1	510-985	Grease Fitting, 3/16 Drive-In - included	_____

PARTS LIST



Ref	Quan	Part No	Description	Price
ADD				
	1	17288	Drip Tape Sub-Surface Guide, Roller Type - incl Ref 1 thru 5	_____
1	2	517-294	D-Plate, 2 x 2	_____
2	2	510-633	U-Bolt, 3/8-16 x 2sq x 3	_____
	4	511-108	Hex Nut, 3/8-16	_____
3	1	516-800	Shank & Shoe	_____
	2	516-033	U-Bolt, 3/8-16 x 2sq x 3	_____
	4	511-108	Hex Nut, 3/8-16	_____
4	1	516-734	Roller Sleeve	_____
	1	511-109	Hex Capscrew, 5/16-18 x 2-1/2	_____
	1	511-010	Hex Nut, 5/16-18	_____
5	1	516-735	Roller	_____
	1	510-985	Grease Fitting, 3/16 Drive-In - included	_____
Parts assemblies / w/ related fasteners				
6	1	20204C	D-Clamp Asby, 2sq x 2sq	_____
7	1	16874	Shank & Shoe Asby	_____

PARTS LIST



Ref	Quan	Part No	Description	Price
ADD				
	1	18420	Sub-Surface Guide w/ Parallel Linkage - includes Ref 1 thru 9	_____
1L	1	518-491	Mounting Flange, 2sq Left	_____
1R	1	518-492	Mounting Flange, 2sq Right	_____
	2	511-121	U-bolt, 1/2-13 x 2sq x 3	_____
	4	511-051	Hex Nut, 1/2-13	_____
2	4	518-310	Pivot Sleeve	_____
	4	511-092	Hex Capscrew, 3/8-16 x 5	_____
	4	511-008	Hex Nut, 3/8-16	_____
3	1	518-307	Linkage Top	_____
4	1	518-313	Linkage Bottom	_____
5	2	516-600	Spring	_____
6	1	518-489	Shank Bracket	_____
7	1	516-800	Shank & Shoe	_____
	2	510-633	U-Bolt, 3/8-16 x 2sq x 3	_____
	4	511-108	Hex Nut, 3/8-16	_____

PARTS LIST

Ref	Quan	Part No	Description	Price
8	1	516-734	Roller Sleeve	_____
	1	511-109	Hex Capscrew, 5/16-18 x 2-1/2	_____
	1	511-010	Hex Nut, 5/16-18	_____
9	1	516-735	Roller	_____
	1	510-985	Grease Fitting, 3/16 Drive-In - included	_____
Parts assemblies w/ related fasteners				
10	1	20310	Parallel Linkage Asby for 2sq	_____
11	1	516-874	Shank & Shoe Asby	_____