



BUCKEYE TRACTOR CO

Parts List

Model 1937-M
MULCH LIFTER

same as 1937

Version C06 • Serial No. 4332000 • Effective 9-20-06

Serial No: _____ Date Received: ___ / ___ / ___

Purchased From: _____

Order / Invoice No: _____



BUCKEYE TRACTOR CO

P.O.Box 97 • 11313 Slabtown Road • Columbus Grove, Ohio 45830 USA
call 419-659-2162 • fax 419-659-2082

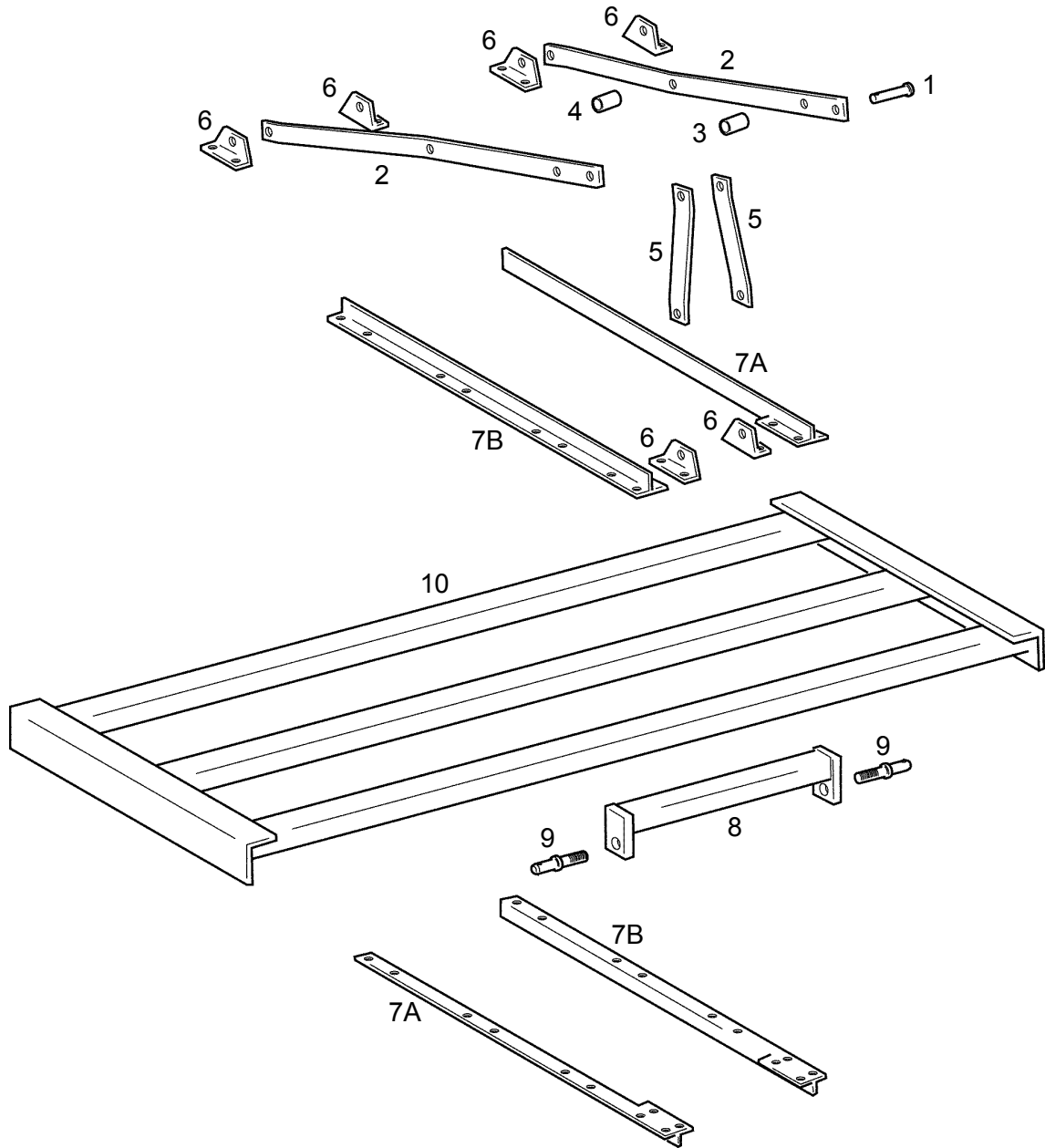
buckeyetractor@bright.net • www.buctraco.com

YOUR PURCHASE INCLUDES COMPLETE AFTER-SALE SERVICE

GALLERY



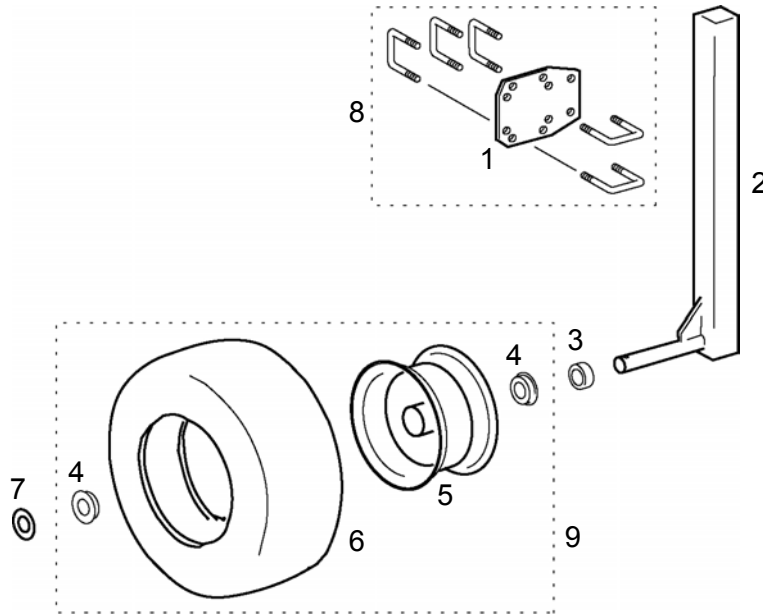
PARTS LIST



PARTS LIST

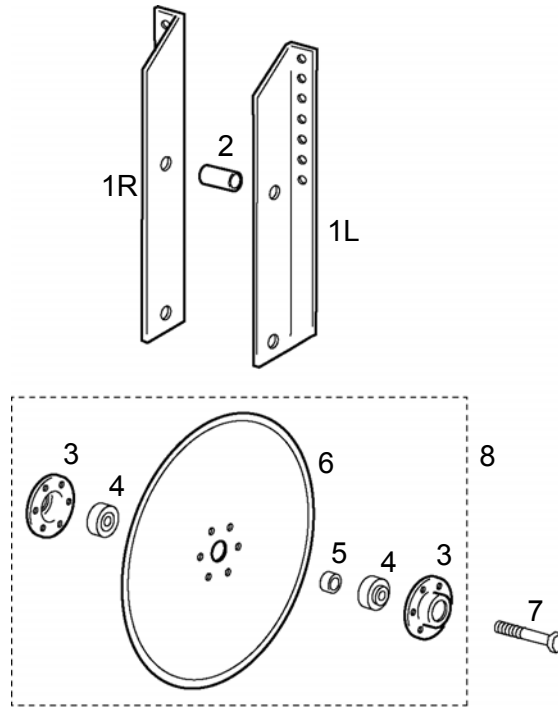
Ref	Quan	Part No	Description	Price
	1	21513	Toolbar Hitch - includes Ref 1 thru 9	
1	1	517-512	Hitch Pin, 3/4 x 3-1/4	_____
	1	511-354	Linch Pin, 1/4	_____
2	2	516-477	Top Hitch Bar	_____
	2	511-143	Hex Capscrew, 5/8-11 x 1-3/4	_____
	1	511-027	Hex Capscrew, 5/8-11 x 4-1/2	_____
	3	511-142	Hex Nut, 5/8-11	_____
3	1	512-425	Bushing, 1" OD x 5/8 ID x 2	_____
4	1	512-425	Bushing, 1" OD x 5/8 ID x 2	_____
	1	511-029	Hex Capscrew, 5/8-11 x 3-1/2	_____
	1	511-214	Hex Nut, 5/8-11 Jam	_____
5	2	516-476	A-Frame Support	_____
	2	510-996	Hex Capscrew, 5/8-11 x 1-1/4	_____
	2	511-142	Hex Nut, 5/8-11	_____
6	6	511-595	Anchor Bracket	_____
	6	511-121	U-Bolt, 1/2-13 x 2sq x 3	_____
	12	511-051	Hex Nut, 1/2-13	_____
7A	2	515-427	Hitch Clamp Bar, 3-bar Side A	_____
7B	2	515-425	Hitch Clamp Bar, 3-bar Side B	_____
	12	510-786	Hex Capscrew, 1/2-13 x 3-1/4	_____
	12	511-051	Hex Nut, 1/2-13	_____
8	1	515-847	Lower Hitch Crossbar	_____
	8	510-786	Hex Capscrew, 1/2-13 x 3-1/4	_____
	8	511-051	Hex Nut, 1/2-13	_____
9	2	511-652	Anchor Pin	_____
	2	511-243	Hex Nut, 7/8-14	_____
	2	511-362	Linch Pin, 7/16	_____
			ADD (1) Toolbar Frame to Toolbar Hitch	
10	1	20033-072	Toolbar Frame, 2sq x 3-bar x 72 x 3/16w - standard on 1937	_____

PARTS LIST



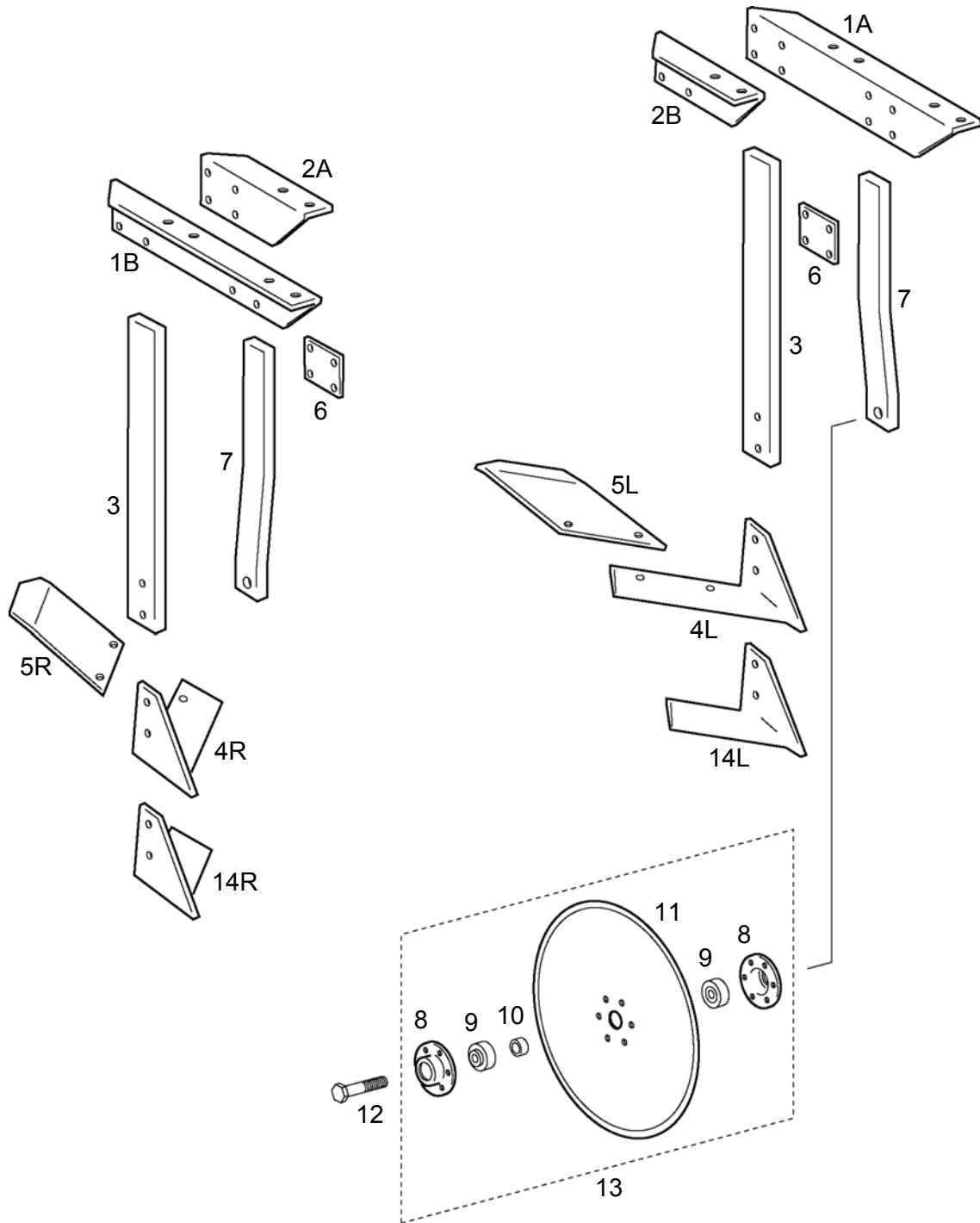
Ref	Quan	Part No	Description	Price
	1	17492	Gauge Wheel Asby, 16x650-8, Pair & Clamps for 2sq - includes ref nos 1 thru 7	_____
1	2	518-582	D5-Plate, 2 x 2	_____
	10	511-121	U-Bolt, 1/2-13 x 2sq x 3	_____
	20	511-051	Hex Nut, 1/2-13	_____
2	2	516-824	Shank & Spindle	_____
3	2	516-185	[Bushing] Shaft Collar, 1"	_____
4	4	517-809	Bearing, 1"ID	_____
5	2	517-808	Wheel, 8 x 5-3/8	_____
	2	515-581	Valve Stem - included	_____
	2	514-286	Valve - included	_____
	2	514-287	Cap - included	_____
6	2	516-830	Tire, 16x650-8 Rib	_____
7	2	511-176	[Spindle Washer] Flat Washer, 1" SAE	_____
	2	510-989	Cotter Pin, 1/4 x 1-1/2	_____
			Parts assemblies with fasteners	
8	2	20205E	D5-Clamp Asby, 2sq x 2sq	_____
9	2	517-816	Wheel Asby, 16x650-8	_____

PARTS LIST



Ref	Quan	Part No	Description	Price
	1	18350	Rigid Coulter, 18" & Shank Asby - includes Ref 1 thru 7	_____
1L	1	518-347	Rigid Coulter Shank, Left	_____
1R	1	518-348	Rigid Coulter Shank, Right	_____
	2	511-121	U-Bolt, 1/2-13 x 2sq x 3	_____
	4	511-051	Hex Nut, 1/2-13	_____
2	1	518-333	Spacer, 1-1/8 OD x 3/4 ID x 2-1/4	_____
	1	511-018	Hex Capscrew, 3/4-10 x 3-1/2	_____
	1	511-172	Hex Nut, 3/4-10	_____
3	2	517-912	Hub Flange	_____
	6	510-709	Hex Capscrew, 5/16-18 x 7/8	_____
	6	511-240	Hex NyLock Nut, 5/16-18	_____
4	2	517-919	Ball Bearing, 205RVA, John Deere A27002	_____
5	1	518-220	Coulter Blade, 18"	_____
6	1	518-461	Spacer, 1-1/8 OD x 3/4 ID x 0.460	_____
7	1	511-018	[Bearing Bolt] Hex Capscrew, 3/4-10 x 3-1/2	_____
	1	511-172	Hex Nut, 3/4-10	_____
			Parts assembly w/ related fasteners	
8	1	518-171	Coulter & Hub Asby	_____

PARTS LIST



PARTS LIST

Ref	Quan	Part No	Description	Price
	1	17887	Lifter Shank & Coulter, L&R for 2-bar x 2sq - Includes Ref 1 thru 12	_____
1A	1	518-329	Shank Half Bracket, 2-Bar Side A	_____
1B	1	518-328	Shank Half Bracket, 2-Bar Side B	_____
	4	511-121	U-Bolt, 1/2-13 x 2sq x 3	_____
	8	511-051	Hex Nut, 1/2-13	_____
2A	1	518-416	Shank Half Bracket, Side A	_____
2B	1	518-417	Shank Half Bracket, Side B	_____
	2	511-121	U-Bolt, 1/2-13 x 2sq x 3	_____
	4	511-051	Hex Nut, 1/2-13	_____
3	1	516-818	Shank, 1 x 2-1/2	_____
	4	516-518	Shear Bolt, 1/2-13 x 2-1/2	_____
	4	511-065	Hex Capscrew, 1/2-13 x 2-1/2	_____
	8	511-065	Hex Nut, 1/2-13	_____
4L	1	517-461	Lifter Sweep, Left	_____
4R	1	517-462	Lifter Sweep, Right	_____
	4	511-067	Hex Capscrew, 1/2-13 x 2	_____
	4	511-051	Hex Nut, 1/2-13	_____
5L	1	517-707	Heave Plate, Left	_____
5R	1	517-708	Heave Plate, Right	_____
	4	510-722	Clipped Head Plow Bolt, 7/16-14 x 1-1/4	_____
	4	511-007	Hex Nut, 7/16-14	_____
6	2	518-330	Clamp Plate	_____
	8	511-065	Hex Capscrew, 1/2-13 x 2-1/2	_____
	8	511-051	Hex Nut, 1/2-13	_____
7	2	518-332	Offset Coulter Shank	_____
8	4	518-846	Hub Flange	_____
	12	511-117	Hex Capscrew, 5/16-18 x 3/4	_____
	12	511-240	Hex Nut, 5/16-18 NyLock	_____
9	4	517-919	Ball Bearing, 205RVA, John Deere A27002	_____
10	2	518-828	Spacer, 1-1/8 OD x 3/4 ID x 0.390	_____
11	2	518-220	Coulter Blade, 18"	_____
12	2	511-016	[Bearing Bolt] Hex Capscrew, 3/4-10 x 4	_____
	2	511-172	Hex Nut, 3/4-10	_____
			Parts assembly w/ related fasteners	
13	2	519-472	Coulter & Hub Asby	_____
			OPTIONS	
14L	1	518-161	Lifter Sweep, Left	_____
14R	1	518-162	Lifter Sweep, Right	_____

PARTS LIST

Ref	Quan	Part No	Description	Price
EARLY PARTS				
15	2	517-912	Hub Flange	_____
16	2	518-461	Spacer Bushing, 1-1/8 OD x 3/4 ID x 0.460	_____
Early parts assemblies w/ related fasteners				
17	2	518-171	Disk & Hub Asby	_____

