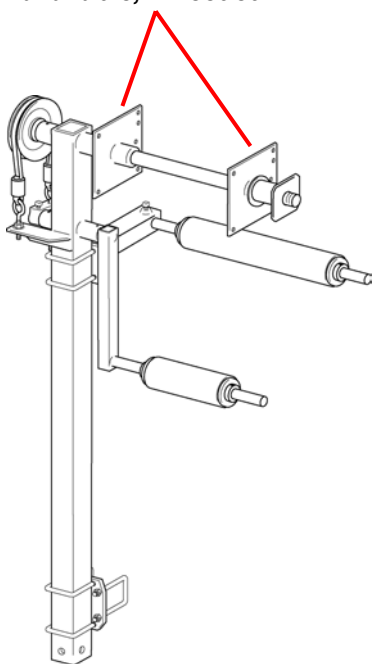




Roll & spool compatibility

Different size rolls and other types of spools are compatible. Maximum spool diameter clearance is 24". Maximum width is 12". Most new tape roll are approx 20" x 10".

Standard spool drivers fit most rolls and spools. Custom drivers are available, if needed.



Options

Part numbers are itemized on price list

17453A Spool Shaft Pkg, Right-Hand Thread for maximum 20" wide spools

for - 2125-TB - 4125-TB

17769A Spool Shaft Pkg, Left-Hand Thread for maximum 20" wide spools

for - 2125-TBL - 4125-TBL

Equip Roll Supports with longer spool shafts and rollers to load wider tape storage rolls (shown above left). Optional Spool Shaft Packages (listed above) accommodate spools up to 20" wide.



2155-1

NARROW / 1-BED APPLICATOR TOOLBARS

*2155-1 includes (1) Shoe & (1) Mounting Clamp for one tape line
2155-2 includes (2) Shoes & (2) Mounting Clamps for two tape lines*

Like the heavy-duty Applicator Toolbars on Page 7-4, dedicated or customized toolbars can be set-up on a smaller scale. Simple one and two-row applicators, equipped with shanks for tape placement up to 5" deep in loose soil, are offered. Heavier toolbars for deeper shanks are available. Additional toolbars can be set-up for three or four Applicators - please inquire.

- Shank & shoe works in LOOSE SOIL
- Category 1 hitch
- 2" square toolbars
- Shoe-type applicator, rigid-mounted
- Gauge wheels for toolbar
- Parking Stands

ADD Roll Support(s) to complete