



FEATURES

Farmer designed field equipment for homesteads or hobby farms

Useful and tough off-the-farm features for dependable service at home

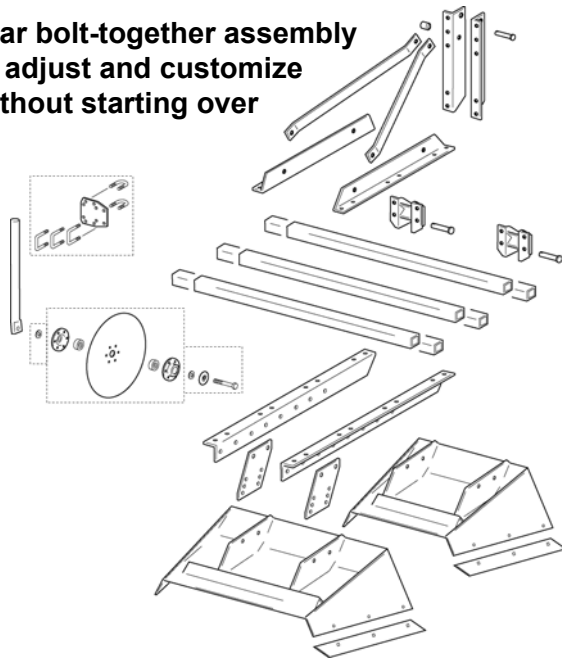


Toolbar main frames for solid construction and versatile applications



Double-bearing disk hubs feature common bearings and parts

Modular bolt-together assembly to adjust and customize without starting over



Heavy 3/16-wall square toolbars

Many attachments for many jobs all season long

